

# PROFILO LED 200 CT

THE VERSATILE ALTERNATIVE TO CONVENTIONAL PROFILERS  
WITH SELECTABLE COLOR TEMPERATURE

PROFILO LED 200 CT is a high-power **LED-based profile spot** contained in a strong and lightweight housing. The unit features an **internal four-shutter removable shaping system**, and a high-definition 15.5° to 38° linear zoom. The unit LED's **white color temperature is linearly tunable from 2700° K to 6500° K**; a must in the most demanding applications, where a perfectly adjustable white color temperature is a key requirement. PROFILO LED 200 CT is suitable for medium to large TV studios and theatres and it is a powerful and versatile alternative to conventional lights.

## PRELIMINARY INFORMATION



## PRELIMINARY INFORMATION

### OUTPUT

- Single high-power white LED with linearly tunable color temperature (2700° K - 6500° K)
- CRI > 90
- LED lifespan: 50,000 hours (70% lumen output)

### OPTICAL GROUP

- 15.5° - 38° linear zoom;
- High definition zoom lens with double optical condenser lens

### CONTROL

- DMX 512 / RDM or Manual control
- 7 DMX channels (default); 2 DMX channels
- 4-digit 7-segment LED display + 4 soft keys
- Internal operating system updatable via DTS dongle firmware uploader

### POWER SUPPLY

- Full-range 100-240Vac 50-60 Hz
- Power consumption: 200 W max

### CONNECTIONS

- Power supply: PowerCON TRUE1 In/Out panel connectors
- DMX: XLR 5-pole In/Out panel connectors

### INTERNAL SAFETY DEVICES

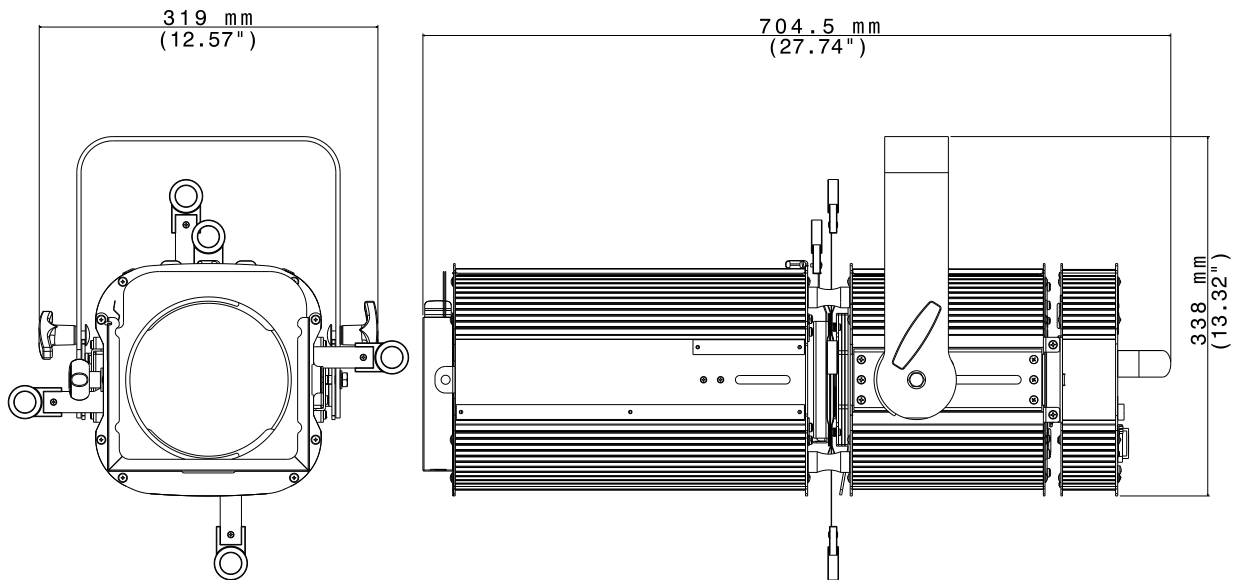
- Overvoltage and overtemperature circuits protection

### OPERATING TEMPERATURE

- -10° / 40°C

### PHYSICAL

- IP20
- Internal system with four removable shutters
- Yoke featuring an exclusive sliding system with clutch for a wider tilt
- Weight: 15 Kg (33 lbs)
- Finishing: Black



### ACCESSORIES INCLUDED

- ON BOARD
  - \_ 1 x Soft edge filter assembly (code 02TP0047)
  - \_ 1 x Filterframe Black finishing (code 02M00420.49)
- IN THE BOX
  - \_ 1 x PowerCON TRUE1 female cable connector (code 0520P066)
  - \_ 1 x XLR 5 pins female cable connector (code 0508B147)
  - \_ 1 x XLR 5 pins male cable connector (code 0508B148)
  - \_ 4 x Shutter blade assembly (code 02TP0045)

### ACCESSORIES ON REQUEST

- Iris/Diaphragm (code 03.TA225)
- Godo holder (code 03.TA226)
- "C" Clamp G60 - max. Load 50 Kg (code 0521A004)
- Safety cable - 0.3x60 cm - max. capacity load 60 Kg (code 0521A010)
- DTS dongle firmware uploader (code 03.LA.206)

### PHOTOMETRIC DATA

	mt 2 ft 6.56	mt 4 ft 13.12	mt 6 ft 19.68	mt 8 ft 26.25	mt 10 ft 32.81
<b>BEAM ANGLE 15.5°</b>					
lux center (lx)	25900	6475	2878	1619	1036
foot candles (fc)	2407	602	267	150	96
diameter (cm)	54	109	163	218	272
diameter (ft)	1.79	3.57	5.36	7.14	8.93
<b>BEAM ANGLE 38°</b>					
lux center (lx)	5551	1388	617	347	222
foot candles (fc)	516	129	57	32	21
diameter (cm)	138	275	413	551	689
diameter (ft)	4.52	9.04	13.56	18.07	22.59