



OPERATING & ASSEMBLY INSTRUCTION

POWERLINK Series (IP65 Version)

A.APPLICATION INSTRUCTION

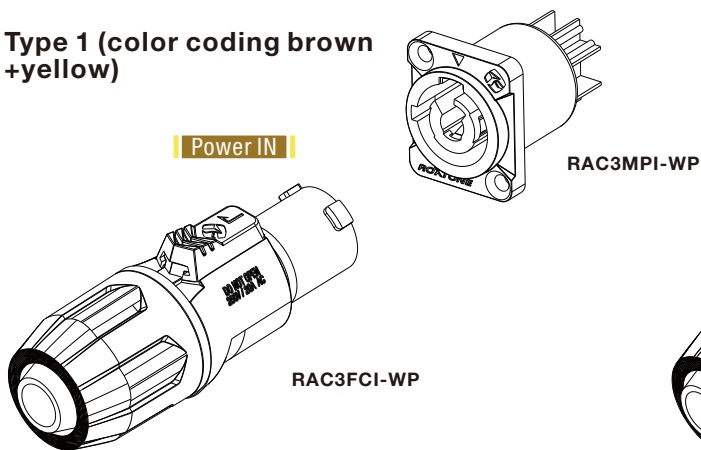
APPLICATION:

POWERLINK series (IP65 Version) is intended for use as an appliance coupler and interconnection coupler. It serves to supply power to an appliance and from an appliance to other equipment. To be installed by qualified person only.

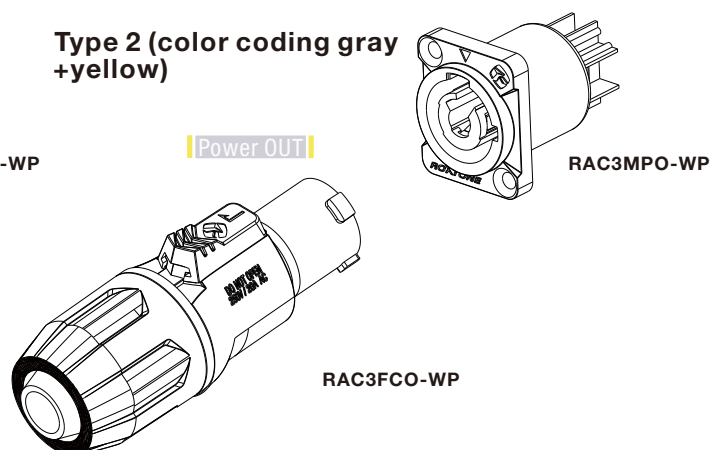
Connector Combination & Keyways:

With the two non-inter changeable types of connectors (Type 1 and Type 2) it is impossible to produce a short circuit. Mating connectors (combination) are identified by mechanical keyways and by color.

Type 1 (color coding brown +yellow)

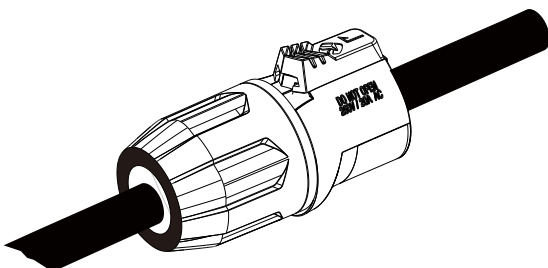


Type 2 (color coding gray +yellow)

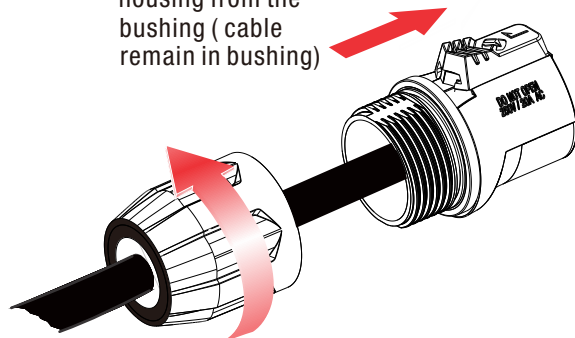


B.ASSEMBLY INSTRUCTION

(A) Insert cable into the bushing and housing.

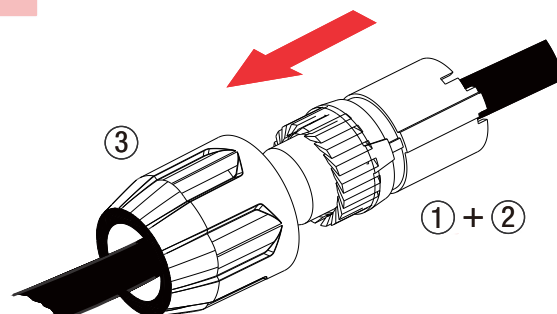
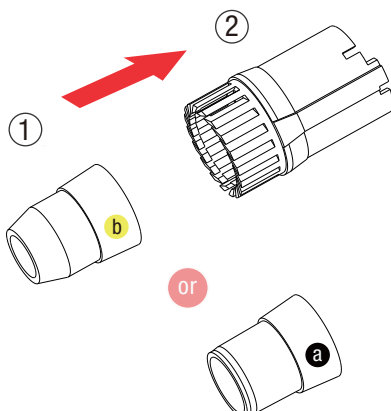


(B) Separate the housing from the bushing (cable remain in bushing)



(C) Put sealing ring ① (a) or (b) into clamp ring ②.
Place the bushing ③ and sealing clamp set ① + ② over the cable.

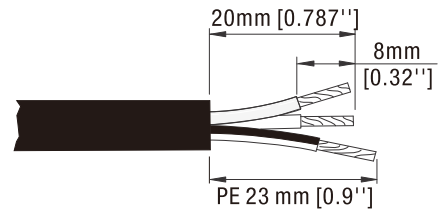
Black sealing ring (a): 9.0 - 12.0 mm [0.354 - 0.472 "]
Yellow sealing ring (b): 7.0 - 9.0 mm [0.276 - 0.354 "]





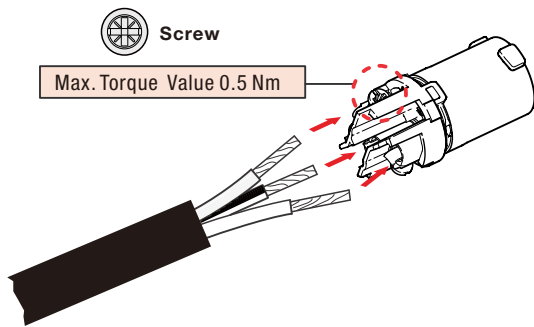
(D) Prepare the cable as shown.

Cable O.D.: 6.0 - 12.0 mm [0.236 - 0.472"]
Max wire size : 2.5 mm² (AWG 14) .

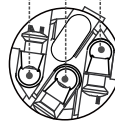


(E) Insert the wire into the terminals and fasten.

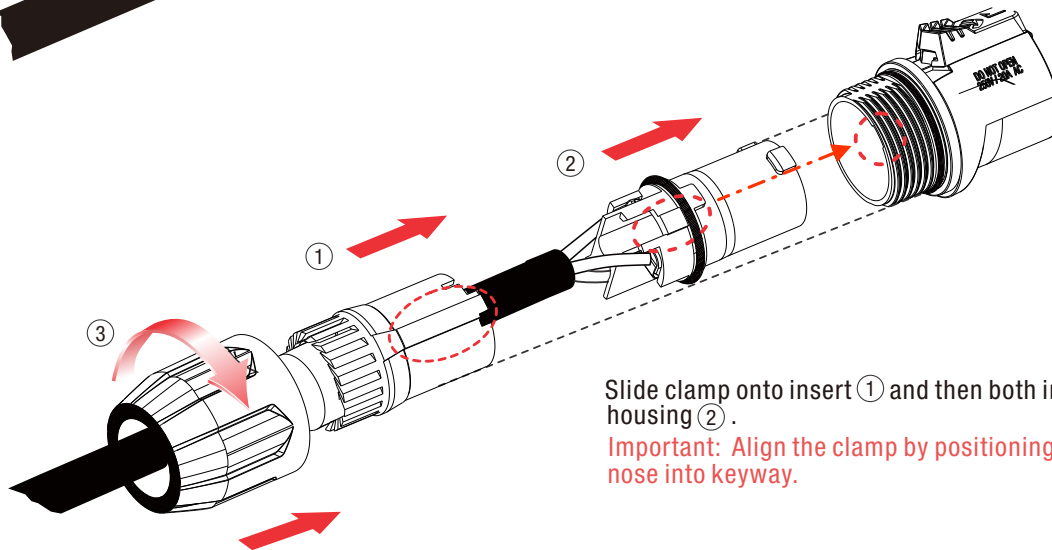
Max. Torque 0.5 Nm (0.37 lb-ft).



WIRING

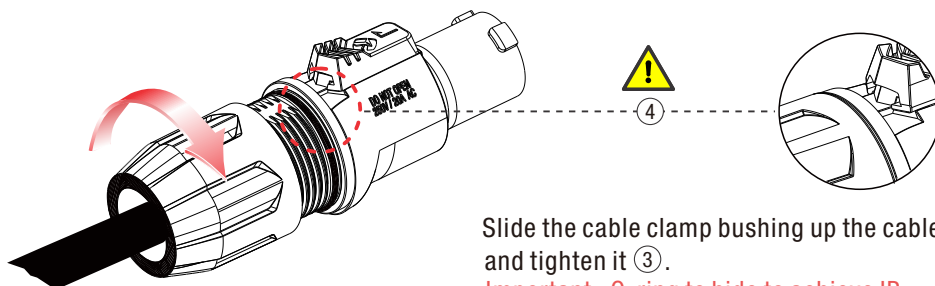


(F)



Slide clamp onto insert ① and then both into housing ② .

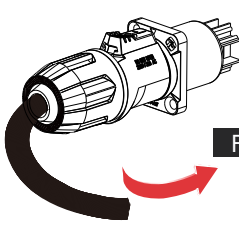
Important: Align the clamp by positioning the nose into keyway.



Slide the cable clamp bushing up the cable and tighten it ③ .


Important: O-ring to hide to achieve IP protection ④ .

CAUTION



To ensure protection category, do not expose the connection to bending forces (e.g. do not attach loads to the cable, no free-dangling cable windings etc.).

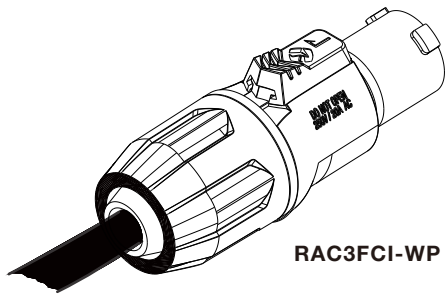
SAFETY WARNING



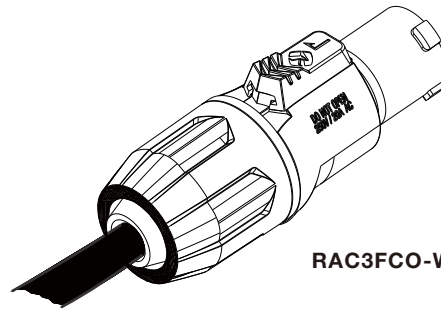
For safety and certification reasons the connector must be replaced in case of any broken parts or excessive wear and tear.



FINISHED STATUE



RAC3FCI-WP



RAC3FCO-WP



www.roxtone.com