

Operating Instructions

Consul Tripod Screen by Draper

Caution

- ① Read instructions through completely before proceeding, and save for future reference.
 - ② Nothing should be fastened to screen case or viewing surface.
 - ③ Do not write on viewing surface.
- NOTE:** Screen has been thoroughly inspected and tested at factory and found to be operating properly prior to shipment.

Setting Up the Screen

- ① Grasp the screen handle and lift screen slightly. Legs will slide open automatically. If they do not, manually slide Upper Leg Bracket down Outer Upright. Once legs are open, you may rest the screen on the floor.
- ② Press upright lock and slide inner upright up a couple of inches; release lock. Rotate screen case to horizontal position, so that the bail is on top.
- ③ Grasp the bail and pull screen up to hook on the gooseneck.
- ④ To extend screen to desired height, grasp the inner upright with your right hand, press the upright lock with your left thumb and raise the upright. Release the upright lock **before** releasing the inner upright.

PLEASE NOTE: Viewing surface may be tensioned by moving the case down slightly on the stem.

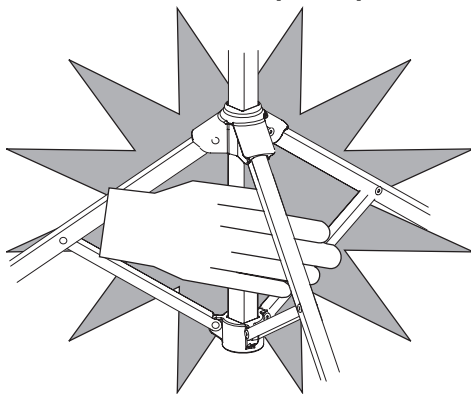
Using Optional Keystone Eliminator

- ① If image is narrower at the top, use keystone eliminator to bring top of viewing surface toward the projector.
- ② If image is narrower at the bottom, make sure keystone eliminator is all the way back and use projector adjustment to correct.

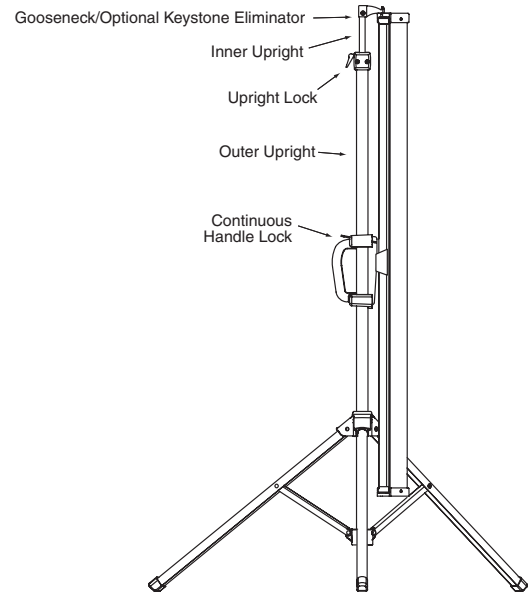
Taking Down the Screen

- ① Grasp inner upright firmly with the right hand and press upright lock with left thumb. Guide upright down about halfway toward handle.
- ② Press continuous lock and slide handle until case is near its original position.
- ③ Lift bail from gooseneck and allow screen to retract **gently** into the case.
- ④ Rotate case to vertical position and lower inner upright until the gooseneck drops into the hole in the end cap of the screen case (if there is no hole in the endcap, then you have rotated the screen case in the wrong direction).
- ⑤ Grasp the outer upright with left hand near the top and lift the screen off the floor. With right hand, lift Upper Leg Bracket. Leg assembly will close automatically.

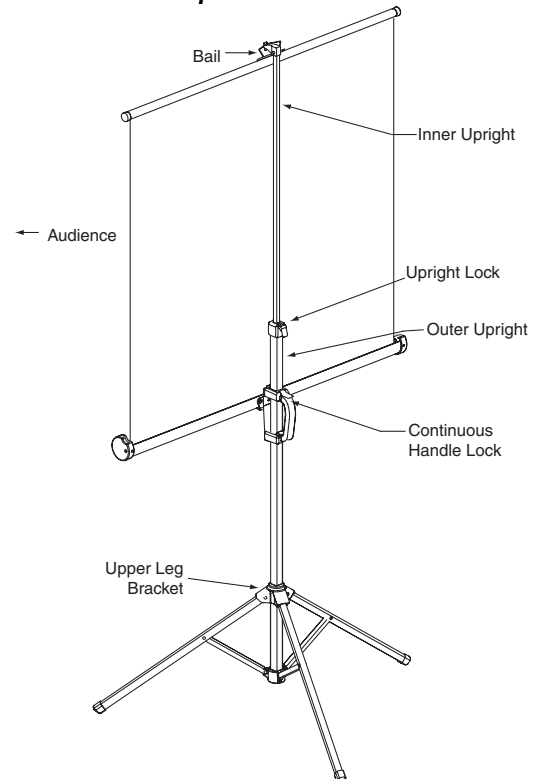
Caution: Beware of pinch points.



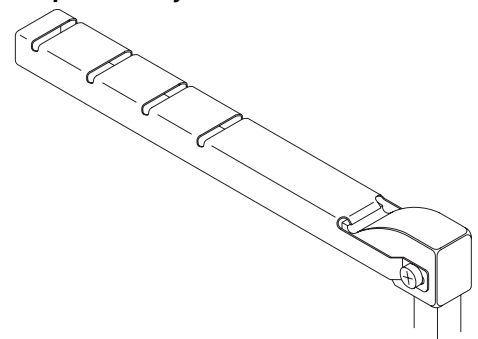
Collapsed Screen



Open Screen



Optional Keystone Eliminator



DRAPER®

411 S. Pearl St., Spiceland, IN 47385 USA ■ 765-987-7999
www.draperinc.com ■ fax 765-987-7142