



PENTA PIX



User Instructions

©2017 ADJ Products, LLC all rights reserved. Information, specifications, diagrams, images, and instructions herein are subject to change without notice. ADJ Products, LLC logo and identifying product names and numbers herein are trademarks of ADJ Products, LLC. Copyright protection claimed includes all forms and matters of copyrightable materials and information now allowed by statutory or judicial law or hereinafter granted. Product names used in this document may be trademarks or registered trademarks of their respective companies and are hereby acknowledged. All non-ADJ Products, LLC brands and product names are trademarks or registered trademarks of their respective companies.

ADJ Products, LLC and all affiliated companies hereby disclaim any and all liabilities for property, equipment, building, and electrical damages, injuries to any persons, and direct or indirect economic loss associated with the use or reliance of any information contained within this document, and/or as a result of the improper, unsafe, insufficient and negligent assembly, installation, rigging, and operation of this product.

Europe Energy Saving Notice

Energy Saving Matters (EuP 2009/125/EC)

Saving electric energy is a key to help protecting the environment. Please turn off all electrical products when they are not in use. To avoid power consumption in idle mode, disconnect all electrical equipment from power when not in use. Thank you!

Penta Pix

Introduction

Unpacking: Thank you for purchasing the Penta Pix by ADJ Products, LLC. Every Penta Pix has been thoroughly tested and has been shipped in perfect operating condition. Carefully check the shipping carton for damage that may have occurred during shipping. If the carton appears to be damaged, carefully inspect your fixture for any damage and be sure all accessories necessary to operate the unit has arrived intact. In the case damage has been found or parts are missing, please contact our toll free customer support number for further instructions. Do not return this unit to your dealer without first contacting customer support.

Introduction: The Penta Pix is part of ADJ's continuing pursuit for creating high quality affordable intelligent fixtures. The ADJ Penta Pix is a 5-head beam effect with pixel zone control. Create quick chasing beam effects from its five 15W 4-IN-1 RGBW LEDs with new ACL lens (Advanced Collimator Optic Lens) for crisp, sharp beams. Each head may be manual positioned on an x-axis. The unit has 3 operating modes; Sound Active Mode, Show Mode, and DMX Control. This unit can be used as a stand alone fixture, or in a Master/Slave configuration. This fixture is suitable for theaters, studios, retail stores, and other similar locations.

Customer Support: ADJ Products, LLC provides a toll free customer support line, to provide set up help and to answer any question should you encounter problems during your set up or initial operation. You may also visit us on the web at www.adj.com for any comments or suggestions. Service Hours are Monday through Friday 8:00 a.m. to 4:30 p.m. Pacific Standard Time.

Voice: (800) 322-6337
Fax: (323) 582-2941
E-mail: support@americandj.com

Warning! To prevent or reduce the risk of electrical shock or fire, do not expose this unit to rain or moisture.

Caution! There are no user serviceable parts inside this unit. Do not attempt any repairs yourself, doing so will void your manufactures warranty. In the unlikely event your unit may require service please contact ADJ Products, LLC.

PLEASE recycle the shipping carton when ever possible.

Penta Pix

General Instructions

To optimize the performance of this product, please read these operating instructions carefully to familiarize yourself with the basic operations of this unit. These instructions contain important safety information regarding the use and maintenance of this unit. Please keep this manual with the unit, for future reference.

Penta Pix

Features

- Built in Microphone
- 5 DMX Channel Modes: 4/8/11/20/27
- 63 Color Macros
- 4 Show Modes
- 5 Operational modes: Sound Active, Auto Run, RGBW Dimmer Mode, Color Macro Mode, & DMX Control
- Sound Sensitivity Adjustable
- Power Cord Daisy Chaining. See page 23.

Penta Pix

Warranty Registration

The Penta Pix carries a 3 year (1095 days) limited warranty. Please fill out the enclosed warranty card to validate your purchase and warranty. You may also register your product online at www.adj.com. All returned service items whether under warranty or not, must be freight pre-paid and accompany a return authorization (R.A.) number. If the unit is under warranty you must provide a copy of your proof of purchase invoice. Please contact ADJ Products, LLC customer support for a R.A. number.

Penta Pix

Installation

The unit should be mounted using a mounting clamp (not provided), affixing it to the mounting bracket that is provided with the unit. Always ensure that the unit is firmly fixed to avoid vibration and slipping while operating. Always ensure that the structure to which you are attaching the unit is secure and is able to support a weight of 10 times the unit's weight. Also, always use a safety cable that can hold 12 times the weight of the unit when installing the fixture. The equipment must be installed by a professional, and it must be installed in a place where it is out of the reach of people's grasp.

- To reduce the risk of electrical shock or fire, do not expose this unit rain or moisture
- Do not spill water or other liquids into or on to your unit.
- Do not attempt to operate this unit if the power cord has been frayed or broken. Do not attempt to remove or break off the ground prong from the electrical cord. This prong is used to reduce the risk of electrical shock and fire in case of an internal short.
- Disconnect from main power before making any type of connection.
- Do not remove the cover under any conditions. There are no user serviceable parts inside.
- Never operate this unit when it's cover is removed.
- Never plug this unit in to a dimmer pack
- Always be sure to mount this unit in an area that will allow proper ventilation. Allow about 6" (15cm) between this device and a wall.
- Do not attempt to operate this unit, if it becomes damaged.
- This unit is intended for indoor use only, use of this product out doors voids all warranties.
- During long periods of non-use, disconnect the unit's main power.
- Always mount this unit in safe and stable matter.
- Power-supply cords should be routed so that they are not likely to be walked on or pinched by items placed upon or against them, paying particular attention to the point they exit from the unit.
- Cleaning -The fixture should be cleaned only as recommended by the manufacturer. See page 23 for cleaning details.
- Heat -The appliance should be situated away from heat sources such as radiators, heat registers, stoves, or other appliances (including amplifiers) that produce heat.
- The fixture should be serviced by qualified service personnel when:
 - A. The power-supply cord or the plug has been damaged.
 - B. Objects have fallen, or liquid has been spilled into the appliance.
 - C. The appliance has been exposed to rain or water.
 - D. The appliance does not appear to operate normally or exhibits a marked change in performance.

Power Supply: The ADJ Penta Pix contains a automatic voltage switch, which will auto sense the voltage when it is plugged into the power source. With this switch there is no need to worry about the correct power voltage, this unit can be plugged in anywhere.

DMX-512: DMX is short for Digital Multiplex. This is a universal protocol used as a form of communication between intelligent fixtures and controllers. A DMX controller sends DMX data instructions from the controller to the fixture. DMX data is sent as serial data that travels from fixture to fixture via the DATA "IN" and DATA "OUT" XLR terminals located on all DMX fixtures (most controllers only have a DATA "OUT" terminal).

DMX Linking: DMX is a language allowing all makes and models of different manufactures to be linked together and operate from a single controller, as long as all fixtures and the controller are DMX compliant. To ensure proper DMX data transmission, when using several DMX fixtures try to use the shortest cable path possible. The order in which fixtures are connected in a DMX line does not influence the DMX addressing. For example; a fixture assigned a DMX address of 1 may be placed anywhere in a DMX line, at the beginning, at the end, or anywhere in the middle. When a fixture is assigned a DMX address of 1, the DMX controller knows to send DATA assigned to address 1 to that unit, no matter where it is located in the DMX chain.

Data Cable (DMX Cable) Requirements (For DMX Operation):

The Penta Pix has 5 DMX Channel modes. The DMX address is set on the rear panel of the Penta Pix. Your unit and your DMX controller require a approved DMX-512 110 Ohm Data cable for data input and data output. We recommend Accu-Cable DMX cables. If you are making your own cables, be sure to use standard 110-120 Ohm shielded cable (This cable may be purchased at almost all professional sound and lighting stores). Your cables should be made with a male and female XLR connector on either end of the cable. Also remember that DMX cable must be daisy chained and cannot be split.



Figure 1

Notice: Be sure to follow figures two and three when making your own cables. Do not use the ground lug on the XLR connector. Do not connect the cable's shield conductor to the ground lug or allow the shield conductor to come in contact with the XLR's outer casing. Grounding the shield could cause a short circuit and erratic behavior.



Figure 2

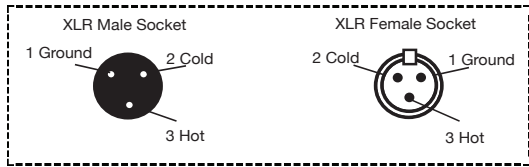


Figure 3

XLR Pin Configuration	
Pin 1 =	Ground
Pin 2 =	Data Compliment (negative)
Pin 3 =	Data True (positive)

Special Note: Line Termination. When longer runs of cable are used, you may need to use a terminator on the last unit to avoid erratic behavior. A terminator is a 110-120 ohm 1/4 watt resistor which is connected between pins 2 and 3 of a male XLR connector (DATA + and DATA -). This unit is inserted in the female XLR connector of the last unit in your daisy chain to terminate the line. Using a cable terminator (ADJ part number Z-DMX/T) will decrease the possibilities of erratic behavior.



Termination reduces signal errors and avoids signal transmission problems and interference. It is always advisable to connect a DMX terminal, (Resistance 120 Ohm 1/4 W) between PIN 2 (DMX-) and PIN 3 (DMX +) of the last fixture.

Figure 4

5-Pin XLR DMX Connectors. Some manufactures use 5-pin DMX-512 data cables for DATA transmission in place of 3-pin. 5-pin DMX fixtures may be implemented in a 3-pin DMX line. When inserting standard 5-pin data cables in to a 3-pin line a cable adaptor must be used, these adaptors are readily available at most electric stores. The chart below details a proper cable conversion.

3-Pin XLR to 5-Pin XLR Conversion		
Conductor	3-Pin XLR Female (Out)	5-Pin XLR Male (In)
Ground/Shield	Pin 1	Pin 1
Data Compliment (- signal)	Pin 2	Pin 2
Data True (+ signal)	Pin 3	Pin 3
Not Used		Do Not Use
Not Used		Do Not Use

The LCD backlight will shut off after 30 seconds, to relight the background, press the MODE button for 5 seconds.

DMX Addr - Set the DMX Address Mode -

1. Press the MODE button until “DMX Addr” is displayed, press ENTER.
2. The address will now begin to flash, use the UP and DOWN buttons to find your desired DMX address, then press ENTER.

DMX Mode - Set the DMX Channel Mode -

1. Press the MODE button until “DMX Mode” is displayed, and press ENTER.
2. The current DMX channel mode will now begin to flash, use the UP and DOWN buttons to find your desired DMX Channel mode, then press ENTER.

Slave Mode - This will let you set your unit as a slave in a master/slave configuration.

1. Press the MODE button until “Slave Mode” is displayed. Your unit will now follow the Master.

Static Color Mode - In this mode you can set a static color.

1. Press the MODE button until “STATC” is displayed, and press ENTER.
2. The “01” will now begin to flash. Press ENTER again and use the UP and DOWN buttons to cycle through the various static colors.

Dream Mode - This mode is a individual fade mode with each lens generating a different color.

1. Press the MODE button until “STATC” is displayed, and press

ENTER.

2. The “01” will now begin to flash. Press the UP or DOWN buttons so that “DREAM” is displayed.

2. You can change the speed of this mode by pressing ENTER once more so that “SPXX” is now flashing. “XX” represents the current speed setting. Use the UP and DOWN buttons to adjust the speed.

Metor Mode - This mode is a individual color change mode with each lens generating a different color.

1. Press the MODE button until “STATC” is displayed, and press ENTER.

2. The “01” will now begin to flash. Press the UP or DOWN buttons so that “METOR” is displayed.

2. You can change the speed of this mode by pressing ENTER once more so that “SPXX” is now flashing. “XX” represents the current speed setting. Use the UP and DOWN buttons to adjust the speed.

Color Fade Mode - This is a color fade mode with each lens fading through the same colors.

1. Press the MODE button until “STATC” is displayed, and press ENTER.

2. The “01” will now begin to flash. Press the UP or DOWN buttons so that “FADE” is displayed.

2. You can change the speed of this mode by pressing ENTER once more so that “SPXX” is now flashing. “XX” represents the current speed setting. Use the UP and DOWN buttons to adjust the speed.

Color Change Mode - This is a color change mode with each lens color changing through the same colors.

1. Press the MODE button until “STATC” is displayed, and press ENTER.

2. The “01” will now begin to flash. Press the UP or DOWN buttons so that “CHANG” is displayed.

2. You can change the speed of this mode by pressing ENTER once more so that “SPXX” is now flashing. “XX” represents the current speed setting. Use the UP and DOWN buttons to adjust the speed.

Dim Curve - This setting will let you select your desired dimming curve. See the chart on page 17 for more information.

1. Press the MODE button until “Dim Curve” is displayed, press ENTER.

2. 1 of 5 dimming curve settings will be displayed: Standard, Stage, TV, Architectural, or Theatre. Use the UP and DOWN buttons to select your desired dimming curve and press ENTER to confirm.

Manual Color Mode - In this mode you can adjust the RGBW colors to make your own desired color.

1. Plug the fixture in and press the MODE button until “MANUAL” is displayed.

2. When “R: XXX” is displayed you are in Red dimming mode. Press the UP and DOWN buttons to adjust intensity. After you have finished adjusting the intensity, or if you would like to skip to the next color, press the ENTER button.

3. When “G: XXX” is displayed you are in Green dimming mode. Press the UP and DOWN buttons to adjust intensity.

4. When “B: XXX” is displayed you are in Blue dimming mode. Press the UP and DOWN buttons to adjust intensity.
5. When “W:XXX” is displayed you are in White dimming mode. Press the UP and DOWN buttons to adjust intensity.
6. After you have adjusted the colors to make your desired color you can then activate strobing by pressing the ENTER button to enter the strobe mode.
7. “STR: XX” will be displayed, this is strobe mode. The strobe can be adjusted between “000” (strobe off) to “255” (fastest strobing).

NO DMX - This mode can be used as a precaution mode, that in case the DMX signal is lost, the operating mode chosen in the setup is the running mode the fixture will go into when the DMX signal is lost. You can also set this as the operating mode you would like the unit to return to when power is applied.

1. Press the MODE button until “NO DMX” is displayed, and either “Sound”, “Auto”, “Black”, or “Hold” will be displayed beneath.
2. Press ENTER and the bottom choice will begin to flash. Use the UP or DOWN buttons to choose an operating mode you would like the unit to start up in when power is applied or the DMX signal is lost.
 - Sound - If the DMX signal is lost or power is applied, the unit will automatically go into sound active mode.
 - Black (Blackout) - If the DMX signal is lost or power is applied, the unit will automatically go into stand by mode.
 - Hold - If the DMX signal is lost the fixture will stay in the last DMX setting. If power is applied and this mode is set, the unit will automatically go into the last DMX set up.

3. Press ENTER to confirm your desired set up.

Pixel Flip - In this mode you adjust the unit so that the LEDs in DMX mode will illuminate at your desired starting point. Right to left or left to right.

1. Press the MODE button until “PIXEL FLIP” is displayed, press ENTER.
2. Either “FLIP 1” or “FLIP 2”, will be displayed. When looking at the front of the unit, “FLIP 1” will have the unit light up left to right. “FLIP 2” will have the unit light up right to left. Use the UP or DOWN buttons to find your desired setting.
3. Press ENTER to confirm your desired set up.

Macro Mode - In this mode you can select 1 of 63 color macros.

1. Press the MODE button until “Macros” is displayed.
2. Press ENTER to adjust and the number will begin to flash. Use the UP and DOWN buttons to find your desired color macro. Once you found your desired color macro press ENTER to confirm.

Sound Mode - In this mode the unit will run in sound active mode.

1. Press the MODE button until “SoundMod” is displayed.
2. Press ENTER to adjust your sound sensitivity. When you press ENTER the number next to “Sens” will begin to flash, use the UP and DOWN buttons to adjust the sound sensitivity. Once you found your desired sensitivity press ENTER to confirm.

Unit Temperature - In this menu you can switch the running temperature between fahrenheit and celsius.

1. Press the MODE button until “TempUnit” is displayed.

2. Press ENTER to change the running temperature. When you press ENTER the current temperature setting will begin to flash. Use the UP and DOWN buttons to switch between the temperature settings.

Temperature - In this menu you check the current running temperature.

1. Press the MODE button until "Temp." is displayed.
2. The current running temperature will now be displayed.

White Balance - In this menu you can adjust/balance the colors.

1. Press the MODE button until "Whitebal." is displayed.
2. Press the ENTER button and the "LED" number will begin to blink. Use the UP or DOWN buttons to find the head you would like to balance and press ENTER.
3. Use the UP or DOWN buttons scroll through the colors. Once you find the color you would like to adjust press ENTER.
4. Use the UP or DOWN buttons to adjust the color.

Default Settings - In this menu you can reset the unit back to its default settings.

1. Press the MODE button until "DFSE." is displayed.
2. Press the ENTER button and either "ON" or "OFF" will be displayed. To reset the unit, use the UP or DOWN buttons to display "ON" and press ENTER.

Universal DMX Control: This function allows you to use a universal DMX-512 controller to control the colors, chases, dimmer and strobe. A DMX controller allows you to create unique programs tailored to your individual needs.

1. The Penta Pix has 5 DMX Modes; a 4 Channel Mode, 8 Channel Mode, 11 Channel Mode, 20 Channel Mode & 27 Channel Mode. See pages 14-20 for a detailed description of the DMX traits.
2. To control your fixture in DMX mode, follow the set-up procedures on pages 5-6 as well as the set-up specifications that are included with your DMX controller.
3. Use the controller's faders to control the various DMX fixture traits. This will allow you to create your own programs.
4. Follow the instructions on page 7 to select your desired DMX Mode and to set the DMX address. After you have selected your DMX mode and set the address, then connect your DMX controller.
5. For longer cable runs (more than a 100 feet) use a terminator on the last fixture.
6. For help operating in DMX mode consult the manual included with your DMX controller.

Master-Slave Set Up: This function will allow you to link up to 16 units together and operate without a controller. In a Master-Slave set up one unit will act as the controlling unit and the others will react to the controlling units programs. Any unit can act as a Master or as a Slave.

1. Using appropriate XLR cables, daisy chain your units together via the XLR connector on the rear of the units. Remember the Male XLR connector is the input and the Female XLR connector is the output. The first unit in the chain (master) will use the female XLR connector only - The last unit in the chain will use the male XLR connector only. For longer cable runs we suggest a terminator at the last fixture.
2. Set the Master unit to your desired operational mode.
3. On the slave units press the MODE button until "SLAVE MODE" is displayed.
4. The slave units will now follow the Master unit.

Penta Pix		4 Channel Mode
Channel	Value	Function
1	0 - 255	RED 0% - 100%
2	0 - 255	GREEN 0% - 100%
3	0 - 255	BLUE 0% - 100%
4	0 - 255	WHITE 0% - 100%

Penta Pix		8 Channel Mode
Channel	Value	Function
1	0 - 255	RED 0% - 100%
2	0 - 255	GREEN 0% - 100%
3	0 - 255	BLUE 0% - 100%
4	0 - 255	WHITE 0% - 100%
5	0 - 255	COLOR MACROS (Please see the color macro chart page 21)
6	0 - 31 32 - 63 64 - 95 96 - 127 128 - 159 160 - 191 192 - 223 224 - 255	STROBING OFF LED ON STROBING SLOW - FAST LED ON PULSE STROBING SLOW - FAST LED ON RANDOM STROBING LED ON
7	0 - 255	MASTER DIMMER 0% - 100%
8	0 - 20 21 - 40 41 - 60 61 - 80 81 - 100 101 - 255	DIMMER MODE STANDARD STAGE TV ARCHITECTURAL THEATRE DEFAULT DIMMER SETTING

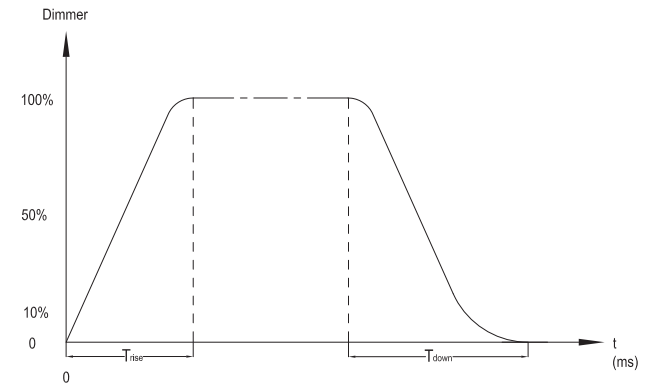
Channels 1, 2, 3 & 4 will not work, when Channel 5 is being used.

Penta Pix		11 Channel Mode
Channel	Value	Function
1	0 - 255	RED 0% - 100%
2	0 - 255	GREEN 0% - 100%
3	0 - 255	BLUE 0% - 100%
4	0 - 255	WHITE 0% - 100%
5	0 - 255	COLOR MACROS (Please see the color macro chart page 21)
6	1 - 49 50 - 99 100 - 149 150 - 199 200 - 255	BUILT IN PROGRAMS STATIC COLORS DREAM MODE METOR MODE COLOR FADE COLOR CHANGE
7	0 - 255	PROGRAM SPEED SLOW - FAST
8	0 - 255	FADE SPEED FAST - SLOW
9	0 - 31 32 - 63 64 - 95 96 - 127 128 - 159 160 - 191 192 - 223 224 - 255	STROBING OFF LED ON STROBING SLOW - FAST LED ON PULSE STROBING SLOW - FAST LED ON RANDOM STROBING LED ON
10	0 - 255	MASTER DIMMER 0% - 100%

Penta Pix		11 Channel Mode
Channel	Value	Function
11	0 - 20 21 - 40 41 - 60 61 - 80 81 - 100 101 - 255	DIMMER MODE STANDARD STAGE TV ARCHITECTURAL THEATRE DEFAULT DIMMER SETTING

Channels 1, 2, 3 & 4 will not work, when Channel 5 is being used.

Penta Pix Dimmer Curve Chart



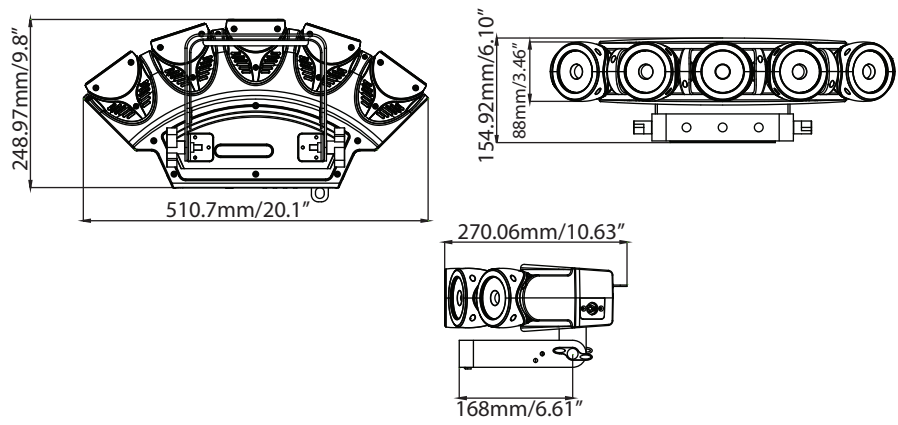
Ramp Effect	OS (Fade Time)		1S (Fade Time)	
	T _{rise} (ms)	T _{down} (ms)	T _{rise} (ms)	T _{down} (ms)
Standard	0	0	0	0
Stage	780	1100	1540	1660
TV	1180	1520	1860	1940
Architectural	1380	1730	2040	2120
Theatre	1580	1940	2230	2280

Penta Pix		20 Channel Mode
Channel	Value	Function
1	0 - 255	RED 0% - 100% PIXEL 1
2	0 - 255	GREEN 0% - 100% PIXEL 1
3	0 - 255	BLUE 0% - 100% PIXEL 1
4	0 - 255	WHITE 0% - 100% PIXEL 1
5	0 - 255	RED 0% - 100% PIXEL 2
6	0 - 255	GREEN 0% - 100% PIXEL 2
7	0 - 255	BLUE 0% - 100% PIXEL 2
8	0 - 255	WHITE 0% - 100% PIXEL 2
9	0 - 255	RED 0% - 100% PIXEL 3
10	0 - 255	GREEN 0% - 100% PIXEL 3
11	0 - 255	BLUE 0% - 100% PIXEL 3
12	0 - 255	WHITE 0% - 100% PIXEL 3
13	0 - 255	RED 0% - 100% PIXEL 4
14	0 - 255	GREEN 0% - 100% PIXEL 4
15	0 - 255	BLUE 0% - 100% PIXEL 4
16	0 - 255	WHITE 0% - 100% PIXEL 4
17	0 - 255	RED 0% - 100% PIXEL 5
18	0 - 255	GREEN 0% - 100% PIXEL 5
19	0 - 255	BLUE 0% - 100% PIXEL 5
20	0 - 255	WHITE 0% - 100% PIXEL 5

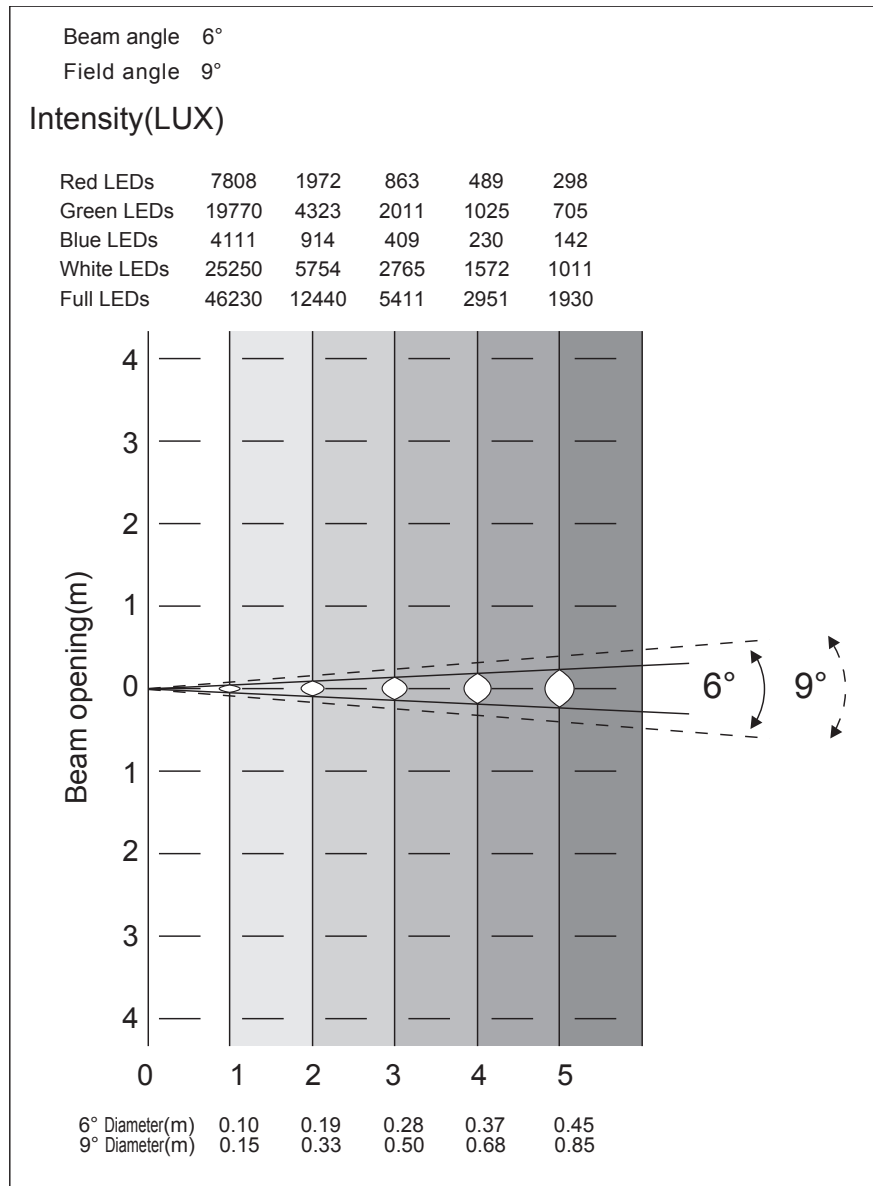
Penta Pix		27 Channel Mode
Channel	Value	Function
1	0 - 255	RED 0% - 100% PIXEL 1
2	0 - 255	GREEN 0% - 100% PIXEL 1
3	0 - 255	BLUE 0% - 100% PIXEL 1
4	0 - 255	WHITE 0% - 100% PIXEL 1
5	0 - 255	RED 0% - 100% PIXEL 2
6	0 - 255	GREEN 0% - 100% PIXEL 2
7	0 - 255	BLUE 0% - 100% PIXEL 2
8	0 - 255	WHITE 0% - 100% PIXEL 2
9	0 - 255	RED 0% - 100% PIXEL 3
10	0 - 255	GREEN 0% - 100% PIXEL 3
11	0 - 255	BLUE 0% - 100% PIXEL 3
12	0 - 255	WHITE 0% - 100% PIXEL 3
13	0 - 255	RED 0% - 100% PIXEL 4
14	0 - 255	GREEN 0% - 100% PIXEL 4
15	0 - 255	BLUE 0% - 100% PIXEL 4
16	0 - 255	WHITE 0% - 100% PIXEL 4
17	0 - 255	RED 0% - 100% PIXEL 5
18	0 - 255	GREEN 0% - 100% PIXEL 5
19	0 - 255	BLUE 0% - 100% PIXEL 5
20	0 - 255	WHITE 0% - 100% PIXEL 5
21	0 - 255	COLOR MACROS (Please see the color macro chart page 21)
22	1 - 49 50 - 99 100 - 149 150 - 199 200 - 255	BUILT IN PROGRAMS STATIC COLORS DREAM MODE METOR MODE COLOR FADE COLOR CHANGE
23	0 - 255	PROGRAM SPEED SLOW - FAST
24	0 - 255	FADE SPEED FAST - SLOW

Penta Pix		27 Channel Mode
Channel	Value	Function
25	0 - 31	STROBING OFF
	32 - 63	LED ON
	64 - 95	STROBING SLOW - FAST
	96 - 127	LED ON
	128 - 159	PULSE STROBING SLOW - FAST
	160 - 191	LED ON
	192 - 223	RANDOM STROBING
	224 - 255	LED ON
26	0 - 255	MASTER DIMMER 0% - 100%
27	0 - 20	DIMMER MODE STANDARD
	21 - 40	STAGE
	41 - 60	TV
	61 - 80	ARCHITECTURAL
	81 - 100	THEATRE
	101 - 255	DEFAULT DIMMER SETTING

Penta Pix CAD Drawing



Penta Pix		Color Macro Chart															
Color No.	DMX VAULE	RGBW COLOR INTENSITY					Color No.	DMX VAULE	RGBW COLOR INTENSITY								
		RED	GREEN	BLUE	WHITE	RED			GREEN	BLUE	WHITE						
OFF	0	0	0	0	0	Color33	129-132	255	206	143	0	Color49	193-196	1	134	201	0
Color1	1-4	80	255	234	80	Color34	133-136	254	177	153	0	Color50	197-200	0	145	212	0
Color2	5-8	80	255	164	80	Color35	137-140	254	192	138	0	Color51	201-204	0	121	192	0
Color3	9-12	77	255	112	77	Color36	141-144	254	165	98	0	Color52	205-208	0	129	184	0
Color4	13-16	117	255	83	83	Color37	145-148	254	121	0	0	Color53	209-212	0	83	115	0
Color5	17-20	160	255	77	77	Color38	149-152	176	17	0	0	Color54	213-216	0	97	166	0
Color6	21-24	223	255	83	83	Color39	153-156	96	0	11	0	Color55	217-220	1	100	167	0
Color7	25-28	255	243	77	77	Color40	157-160	234	139	171	0	Color56	221-224	0	40	86	0
Color8	29-32	255	200	74	74	Color41	161-164	224	5	97	0	Color57	225-228	209	219	182	0
Color9	33-36	255	166	77	77	Color42	165-168	175	77	173	0	Color58	229-232	42	165	85	0
Color10	37-40	255	125	74	74	Color43	169-172	119	130	199	0	Color59	233-236	0	46	35	0
Color11	41-44	255	97	77	74	Color44	173-176	147	164	212	0	Color60	237-240	8	107	222	0
Color12	45-48	255	71	77	71	Color45	177-180	88	2	163	0	Color61	241-244	107	156	231	0
Color13	49-52	255	83	134	83	Color46	181-184	0	38	86	0	Color62	245-248	165	198	247	0
Color14	53-56	255	93	182	93	Color47	185-188	0	142	208	0	Color63	249-252	0	0	189	0
Color15	57-60	255	96	236	96	Color48	189-192	52	148	209	0	Color64	253-255	255	255	255	0
Color16	61-64	238	93	255	93	Color49	193-196	1	134	201	0						
Color17	65-68	196	87	255	87	Color50	197-200	0	145	212	0						
Color18	69-72	150	90	255	90	Color51	201-204	0	121	192	0						
Color19	73-76	100	77	255	77	Color52	205-208	0	129	184	0						
Color20	77-80	77	100	255	77	Color53	209-212	0	83	115	0						
Color21	81-84	67	148	255	67	Color54	213-216	0	97	166	0						
Color22	85-88	77	195	255	77	Color55	217-220	1	100	167	0						
Color23	89-92	77	234	255	77	Color56	221-224	0	40	86	0						
Color24	93-96	158	255	144	144	Color57	225-228	209	219	182	0						
Color25	97-100	255	251	153	153	Color58	229-232	42	165	85	0						
Color26	101-104	255	175	147	147	Color59	233-236	0	46	35	0						
Color27	105-108	255	138	186	138	Color60	237-240	8	107	222	0						
Color28	109-112	255	147	251	147	Color61	241-244	107	156	231	0						
Color29	113-116	151	138	255	138	Color62	245-248	165	198	247	0						
Color30	117-120	99	0	255	100	Color63	249-252	0	0	189	0						
Color31	121-124	138	169	255	138	Color64	253-255	255	255	255	0						
Color32	125-128	255	255	255	255												



With this feature you can connect the fixtures to one another using the powerCON input and output sockets. The quantity that can be connected is 13 fixtures maximum for 120V, and 25 fixtures maximum for 230V. After the maximum fixtures has been reached you will need to use a new power outlet. They must be the same fixtures. DO NOT mix fixtures.

Locate and remove the unit’s power cord. Once the cord has been removed locate the fuse holder next to the powerCON input. Using a flat head screwdriver, unscrew the fuse housing. Remove the bad fuse and replace with a new one.

Due to fog residue, smoke, and dust cleaning the internal and external optical lenses must be carried out periodically to optimize light output.

1. Use a soft cloth to wipe down the outside casing.

Cleaning frequency depends on the environment in which the fixture operates (i.e. smoke, fog residue, dust, dew).

Listed below are a few common problems the user may encounter, with solutions.

Unit not responding to DMX:

1. Check that the DMX cables are connected properly and are wired correctly (pin 3 is “hot”; on some other DMX devices pin 2 may be ‘hot’). Also, check that all cables are connected to the right connectors; it does matter which way the inputs and outputs are connected.

Unit does not respond to sound:

1. Quiet or high pitched sounds will not activate the unit.

If problems are not resolved; Contact ADJ Products, LLC for service. 1-800-322-6337

MANUFACTURER'S LIMITED WARRANTY

- A. ADJ Products, LLC hereby warrants, to the original purchaser, ADJ Products, LLC products to be free of manufacturing defects in material and workmanship for a prescribed period from the date of purchase (see specific warranty period on reverse). This warranty shall be valid only if the product is purchased within the United States of America, including possessions and territories. It is the owner's responsibility to establish the date and place of purchase by acceptable evidence, at the time service is sought.
- B. For warranty service you must obtain a Return Authorization number (RA#) before sending back the product—please contact ADJ Products, LLC Service Department at 800-322-6337. Send the product only to the ADJ Products, LLC factory. All shipping charges must be pre-paid. If the requested repairs or service (including parts replacement) are within the terms of this warranty, ADJ Products, LLC will pay return shipping charges only to a designated point within the United States. If the entire instrument is sent, it must be shipped in its original package. No accessories should be shipped with the product. If any accessories are shipped with the product, ADJ Products, LLC shall have no liability whatsoever for loss of or damage to any such accessories, nor for the safe return thereof.
- C. This warranty is void if the serial number has been altered or removed; if the product is modified in any manner which ADJ Products, LLC concludes, after inspection, affects the reliability of the product; if the product has been repaired or serviced by anyone other than the ADJ Products, LLC factory unless prior written authorization was issued to purchaser by ADJ Products, LLC; if the product is damaged because not properly maintained as set forth in the instruction manual.
- D. This is not a service contract, and this warranty does not include maintenance, cleaning or periodic check up. During the period specified above, ADJ Products, LLC will replace defective parts at its expense with new or refurbished parts, and will absorb all expenses for warranty service and repair labor by reason of defects in material or workmanship. The sole responsibility of ADJ Products, LLC under this warranty shall be limited to the repair of the product, or replacement thereof, including parts, at the sole discretion of ADJ Products, LLC. All products covered by this warranty were manufactured after August 15, 2012, and bear identifying marks to that effect.
- E. ADJ Products, LLC reserves the right to make changes in design and/or improvements upon its products without any obligation to include these changes in any products theretofore manufactured.

No warranty, whether expressed or implied, is given or made with respect to any accessory supplied with products described above. Except to the extent prohibited by applicable law, all implied warranties made by ADJ Products, LLC in connection with this product, including warranties of merchantability or fitness, are limited in duration to the warranty period set forth above. And no warranties, whether expressed or implied, including warranties of merchantability or fitness, shall apply to this product after said period has expired. The consumer's and/or Dealer's sole remedy shall be such repair or replacement as is expressly provided above; and under no circumstances shall ADJ Products, LLC be liable for any loss or damage, direct or consequential, arising out of the use of, or inability to use, this product.

This warranty is the only written warranty applicable to ADJ Products, LLC Products and supersedes all prior warranties and written descriptions of warranty terms and conditions heretofore published.

MANUFACTURER'S LIMITED WARRANTY PERIODS:

- **Non L.E.D. Lighting Products = 1-year (365 days) Limited Warranty** (Such as: Special Effect Lighting, Intelligent Lighting, UV lighting, Strobes, Fog Machines, Bubble Machines, Mirror Balls, Par Cans, Trussing, Lighting Stands etc. excluding LED and lamps)
- **Laser Products = 1 Year (365 Days) Limited Warranty** (excluding laser diodes which have a 6 month limited warranty)
- **L.E.D. Products = 2-year (730 days) Limited Warranty** (excluding batteries which have a 180 day limited warranty). **Note: 2 Year Warranty only applies to purchases within the United States.**
- **StarTec Series = 1 Year Limited Warranty** (excluding batteries which have a 180 day limited warranty).
- **ADJ DMX Controllers = 2 Year (730 Days) Limited Warranty**

Model: Penta Pix

Voltage:	100V~240V 50/60Hz
LEDs:	5 x 15W 4-in-1 RGBW Quad LEDs
Beam Angle:	6 Degrees
Power Consumption:	77W
Fuse:	2Amp
Power Cord Daisy Chain:	13 Fixtures Max. (120V) 25 Fixtures Max. (230V)
Weight:	16lbs./ 7.1Kgs.
Dimensions:	21" (L) x 9" (W) x 10.25" (H) 530 x 230 x 260mm
Colors:	RGBW
DMX Channels:	5 DMX Modes: 4/8/11/20/27
Working Position:	Any safe working position
Warranty:	2 Years (730 days)

Auto Sensing Voltage: This fixture contains a automatic voltage switch, which will auto sense the voltage when it is plugged into the power source.

Please Note: Specifications and improvements in the design of this unit and this manual are subject to change without any prior written notice.

ADJ Products, LLC
6122 S. Eastern Ave. Los Angeles, CA 90040 USA
Tel: 323-582-2650 / Fax: 323-725-6100
Web: www.adj.com / E-mail: info@americandj.com

A.D.J. Supply Europe B.V.
Junostraat 2
6468 EW Kerkrade
The Netherlands

Follow Us On:



facebook.com/americandj
twitter.com/americandj
youtube.com/adjlighting

service@adjgroup.eu / www.adj.eu
Tel: +31 45 546 85 00 / Fax: +31 45 546 85 99