

/CONFETTI PISTOL.



DISCLAIMER

⚠ WARNING

Read this manual carefully before installing and/or using this product. Failure to read the manual and to follow the printed instructions may lead to personal injury and/or damage to the product.

© 2017 MAGICFX®
All rights reserved.

Nothing from this publication may be copied, reproduced and/or published by means of printing, photocopying or by any other means, without the prior written approval of MAGIC FX.

MAGIC FX reserves the right to modify specifications stated in this manual.

TRADEMARKS

Any brand names mentioned in this manual are registered trademarks of their respective owners.

LIABILITY

MAGIC FX accepts no liability for claims from third parties arising from unauthorised use, use other than that stated in this manual, and use other than in accordance with the General Conditions registered at the Chamber of Commerce.

Refer further to the General Conditions. These are available on request, free of charge.

Although considerable care has been taken to ensure a correct and suitably comprehensive description of all relevant components, the manual may nonetheless contain errors and inaccuracies.

Should you detect any errors or inaccuracies in the manual, we would be grateful if you would inform us. This helps us to further improve our documentation.

TABLE OF CONTENTS

Disclaimer	2
Trademarks	2
Liability	2
Foreword	4
Language	4
Revision table	4
1 Meet the MAGICFX® ConfettiPistol!	5
1.1 Main parts	5
1.2 Electric cannons	5
1.3 Technical data	6
1.4 Product identification	6
2 Shoot safely!	7
2.1 General safety rules	7
2.2 Noise level	7
2.3 Precautions for operation	7
3 Let's shoot!	8
4 Maintenance	13
5 Troubleshooting	13
6 Correct disposal	13
7 EC Declaration of Conformity	14

FOREWORD

Congratulations! You have bought a great new product from MAGIC FX.

This manual contains all information required for the intended use of the equipment. Deviation from the described intended use can result in a hazardous situation and/or property damage.

This manual includes notes and warnings on safe operation of the equipment. These notes and warnings are accompanied by the following icons. Read them attentively!

⚠ DANGER	Indicates a hazardous situation that, if not avoided, will result in death or serious injury. This signal word is to be limited to the most extreme situations.
⚠ WARNING	Indicates a hazardous situation that, if not avoided, could result in death or serious injury.
⚠ CAUTION	Indicates a hazardous situation that, if not avoided, could result in minor or moderate injury.
NOTICE	Indicates information considered important, but not hazard-related (e.g. messages relating to property damage).

LANGUAGE

This document contains the original instructions in English. In case you require other languages please contact MAGIX FX.

REVISION TABLE

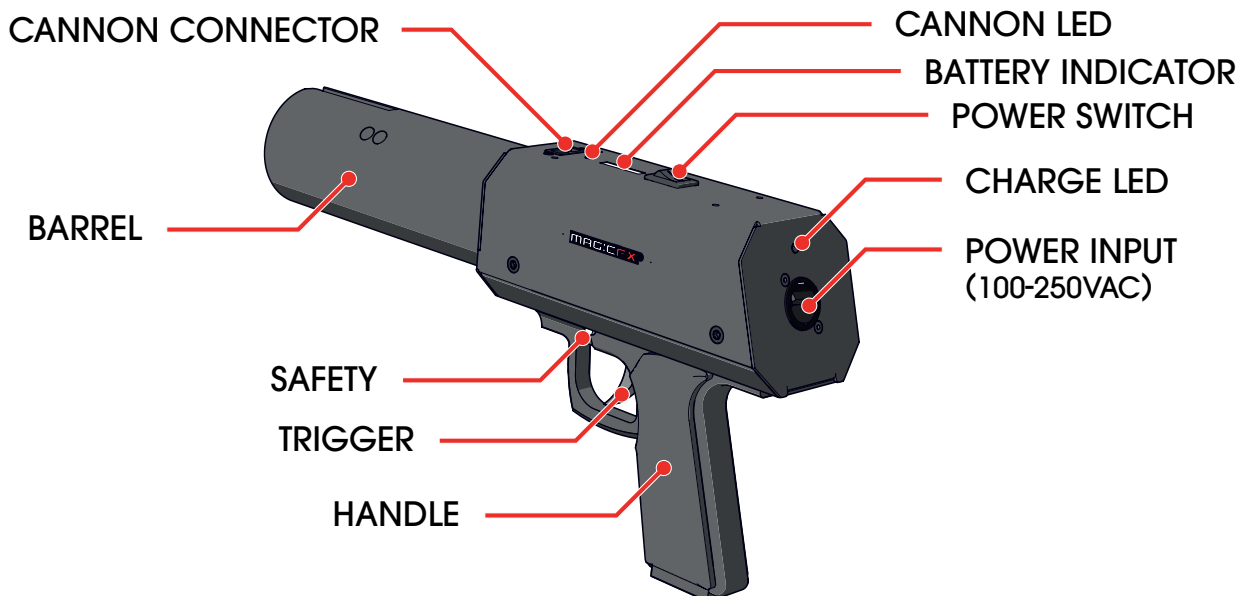
Document nr	Revision	Date	Description	Authored by	Checked by
PART01129	01-00	20-02-2017	Initial release	TFR	TVA

1 MEET THE MAGICFX® CONFETTIPISTOL!

The MAGICFX® CONFETTIPISTOL is a handheld gun-shaped electronic device for safe shooting of MAGICFX® electric confetti cannons.

Before operation an electric confetti cannon needs to be loaded into the barrel of the MAGICFX® CONFETTIPISTOL. Two leaf springs hold the cannon in place. The MAGICFX® CONFETTIPISTOL is equipped with a connector for the power cable of the cannon. When the user pulls the trigger, the reloadable battery inside provides a current to the cannon through this connection. This releases the pressurized nitrogen in the bottom part of the cannon, shooting the confetti load into the air. With a fully loaded battery the MAGICFX® CONFETTIPISTOL provides about 300 shots.

1.1 MAIN PARTS



Main parts

1.2 ELECTRIC CANNONS

All 50 cm Electric Cannons from MAGIC FX are compatible with the MAGICFX® CONFETTIPISTOL. Check the website of MAGIC FX or contact your local dealer for ordering information.

1.3 TECHNICAL DATA

Product	Product Name	MAGICFX® CONFETTIPISTOL	
	Product Code	MFX0310	
	Product Type	CONFETTI & STREAMER FX	
Main Dimensions	Length (mm/in.)	360	14,2
	Width (mm/in.)	75	3
	Height (mm/in.)	190	7,5
Weight	Empty weight (kg/lb.)	1,75	3,9
Package	Length (mm/in.)	440	17,3
	Width (mm/in.)	260	10,2
	Height (mm/in.)	160	6,3
	Packaged weight (kg/lb.)	2,3	5,1
Environment	Minimum Temperature (°C/°F)	0	32
	Maximum Temperature (°C/°F)	50	122
	Humidity (Relative)	20% to 90% (non condensing)	
	IEC 60529 (IP) Rating	IP23	
Electrical	Voltage Input (Vac)	100 – 250 Vac	
	Voltage Frequency	50 – 60 Hz	
	Power Consumption (Vac)	10 W	
	Power Connector (Vac)	Neutrik® powerCON TRUE1 (in)	
	Battery	3S LiPo (11,1 Vdc) 1,3Ah 25C	
Controlling	Control Options	Manual Trigger	
Usage	Consumable(s)	MAGICFX® 50 cm Electric Cannons	

Technical data

1.4 PRODUCT IDENTIFICATION



Type plate

2 SHOOT SAFELY!

The MAGICFX® CONFETTIPISTOL has been designed and constructed in such a manner that it can be used safely. This applies to the use, the circumstances and the regulations as described in this documentation. Reading this documentation and following the instructions are therefore necessary for everyone who is authorised to work with the MAGICFX® CONFETTIPISTOL.

The MAGICFX® CONFETTIPISTOL must be used in surroundings that preferably:

- Have a reasonably stable temperature of between +0 and 50°C.
- Have a relative humidity degree of no more than 90% (non condensing).
- Are reasonably free of dust, corrosive gases and high concentrations of organic vapours.
- Are not situated in the vicinity of a source of vibration.

2.1 GENERAL SAFETY RULES

- Only authorised persons may carry out work with the MAGICFX® CONFETTIPISTOL.
- Do not use the MAGICFX® CONFETTIPISTOL if there are people or animals in the direct output.
- Make sure that children, unauthorised people and animals do not obtain access to the MAGICFX® CONFETTIPISTOL.
- Make sure there are no freestanding objects or objects that can be damaged by the MAGICFX® CONFETTIPISTOL within the output distance.
- Do not remove any safeguards, safety caps and safety symbols.
- All required safety devices must be in good condition and function properly.
- Ensure sufficient lighting of the surroundings.
- Keep the workplace clean.

2.2 NOISE LEVEL

The environmental noise level measured at 20 cm (7,87 in) from the product is 91,6 dB(A). This level of noise is only reached during the short shooting instances. Therefore hearing protection is not necessary.

⚠ WARNING

Do not operate the MAGICFX® CONFETTIPISTOL close to yourself or to others for a long period of time. If you experience any hearing loss or ringing in the ears, you should immediately stop using the unit.

2.3 PRECAUTIONS FOR OPERATION

⚠ WARNING

Using a damaged pistol can lead to serious injury and property damage. Always inspect the pistol thoroughly before operation.

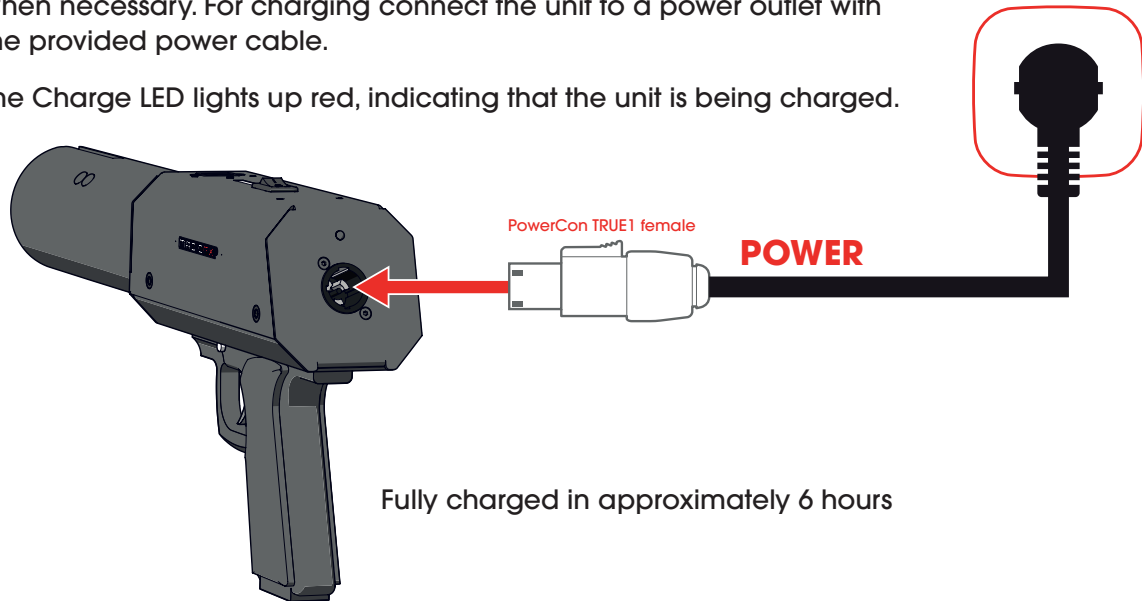
⚠ WARNING

Using a damaged, used or an improper installed electric confetti cannon can lead to serious injury and property damage. Always inspect the cannon thoroughly before operation.

3 LET'S SHOOT!

- 1 Check the battery level before use and charge the internal battery when necessary. For charging connect the unit to a power outlet with the provided power cable.

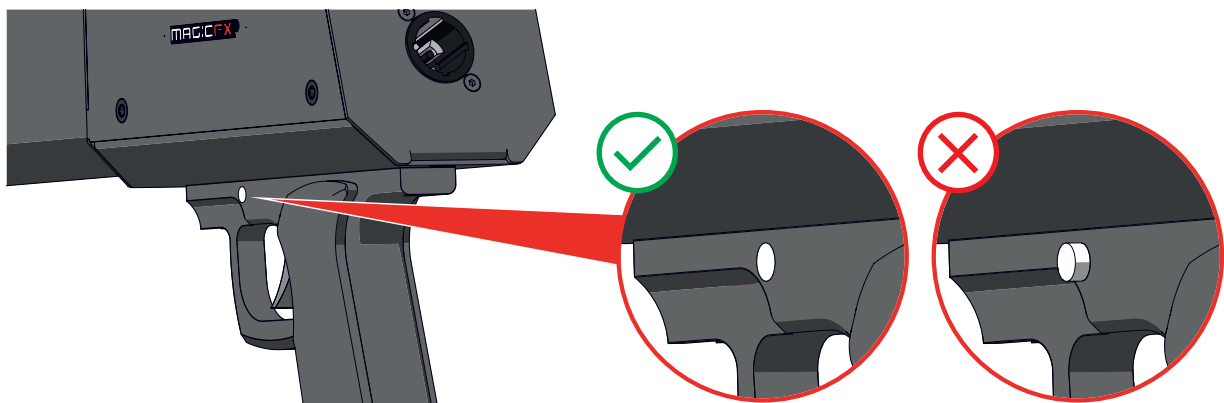
The Charge LED lights up red, indicating that the unit is being charged.



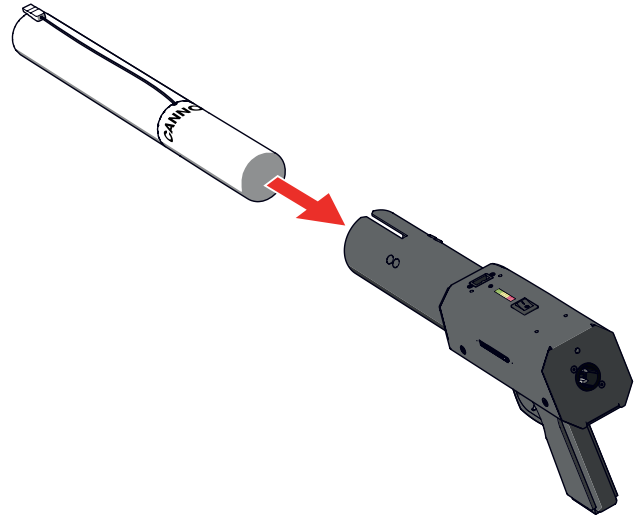
- 2 When the battery indicator reaches the green level and the Charge LED turns green, unplug the power cable.



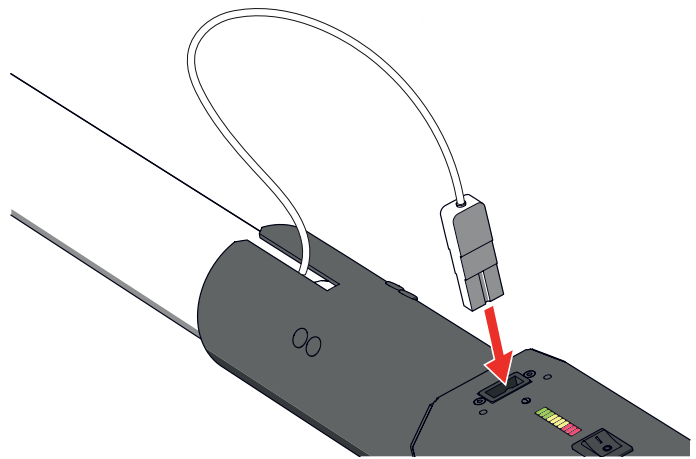
- 3 Make sure that the gun is switched OFF and the safety is in locking position.



-
- 4** Firmly lock an unused electric cannon in the barrel with the cable facing upwards.

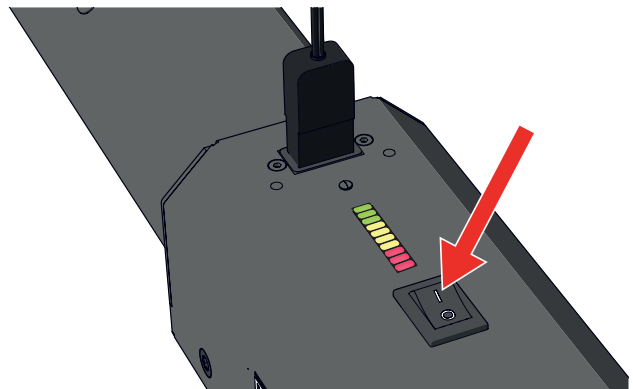


-
- 5** Connect the power cable of the electric cannon.

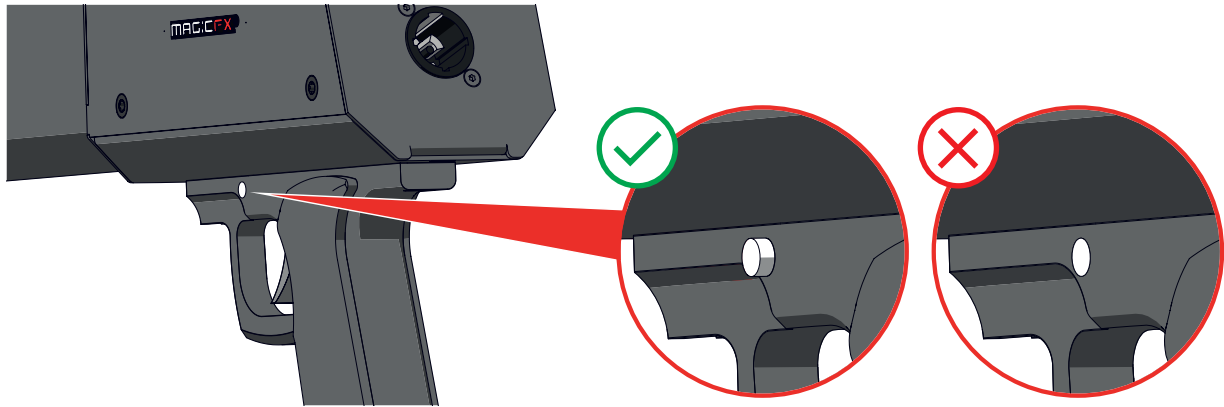


-
- 6** Carefully walk to the desired shooting position.

-
- 7** Switch ON the MAGICFX® CONFETTIPISTOL.
The red Cannon LED lights up.

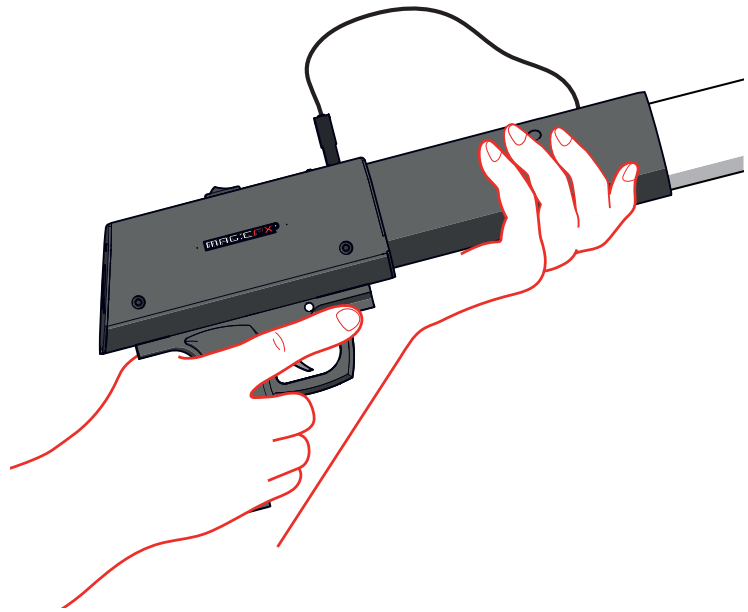


8 Release the safety.

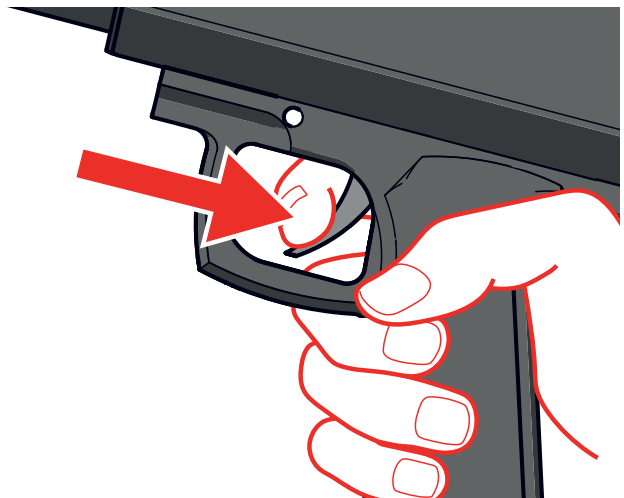


9 Firmly hold with two hands and aim above the audience.

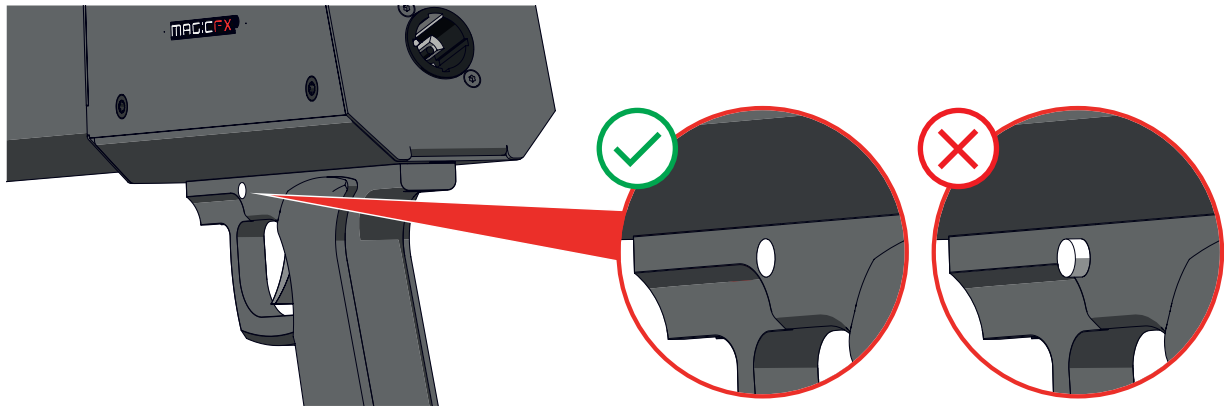
Make sure there are no persons or animals in the direct output of the MAGICFX® CONFETTIPISTOL.



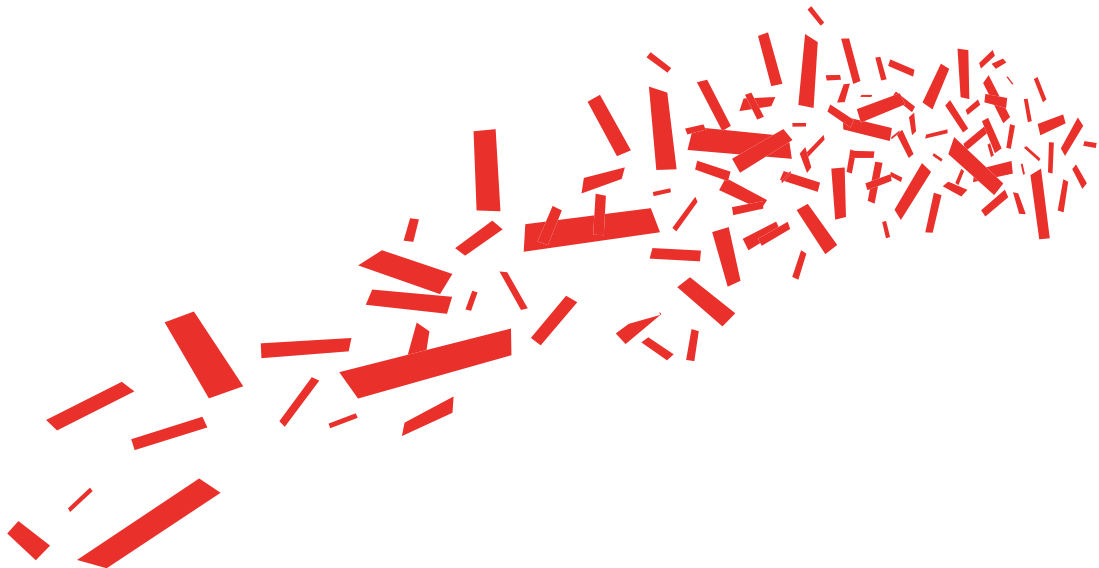
10 When it's time to shoot, pull the trigger.



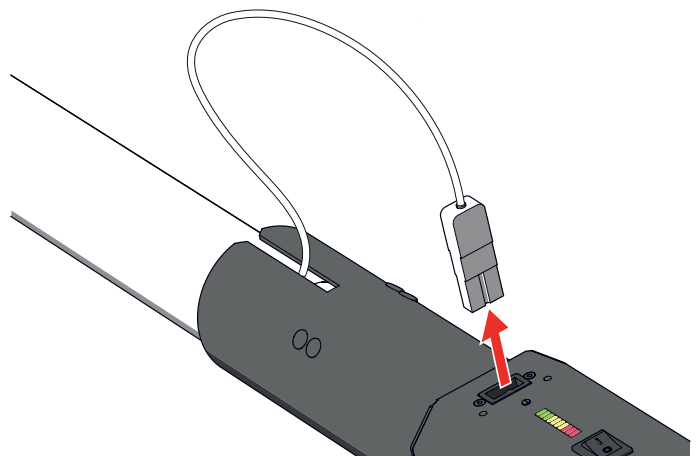
11 Press the safety back in locking position and switch OFF the MAGICFX® CONFETTIPISTOL.



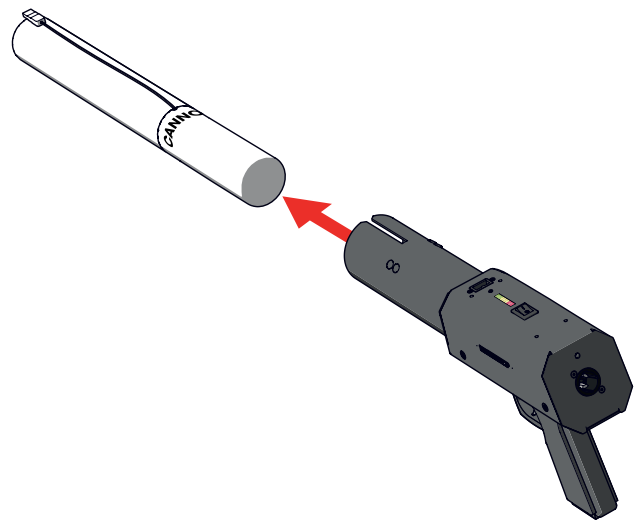
12 Enjoy the view.



13 Disconnect the power cable of the electric cannon.



-
- 14** Remove the used cannon from the barrel and dispose it without harming the environment.



-
- 15** Reload, recharge or store the MAGICFX® CONFETTIPISTOL.
-

4 MAINTENANCE

To achieve the maximum service life of the MAGICFX® CONFETTIPISTOL you must regularly clean the MAGICFX® CONFETTIPISTOL and test if it is functioning correctly.

Contact MAGIC FX if the MAGICFX® CONFETTIPISTOL is not functioning correctly.

⚠ DANGER

Do not replace parts yourself; always consult MAGIC FX if necessary.

5 TROUBLESHOOTING

Always contact MAGIC FX if any malfunctions or errors occur that cannot be solved with the instructions as described in this manual.

6 CORRECT DISPOSAL



This symbol on the product and / or accompanying documents means that used electrical and electronic products should not be mixed with general household waste. For proper treatment, recovery and recycling, please take this product to designated collection points where it will be accepted free of charge.

Alternatively, in some countries you may be able to return your products to your local retailer upon purchase of an equivalent new product.

Disposing of this product correctly will help save valuable resources and prevent any potential negative effects on human health and the environment, which could otherwise arise from inappropriate waste handling.

Please contact your local authority for further details of your nearest designated collection point.

Penalties may be applicable for incorrect disposal of this waste, in accordance with your national legislation.

7 EC DECLARATION OF CONFORMITY

According to Annex III A Low Voltage Directive 2014/35/EU

MAGIC FX B.V. declares as manufacturer and composer of the technical construction file that the product with the following specifications:

Name machine : CONFETTIPISTOL
Type : MFX0310
Voltage : 100-250Vac 50-60Hz
Serial number : on product
Year of construction : on product

Is in conformity with the minimal safety regulations as stated in the following directive(s):

- EMC (2014/30/EC) ElectroMagnetic Compatibility
- RoHS (2011/65/EU) Restriction of the use of certain Hazardous Substances
- WEEE (2012/19/EU) Waste Electrical & Electronic Equipment

The following harmonized standards were applied:

- NEN-EN-ISO 12100:2010 Safety of machinery - General principles for design - Risk assessment and risk reduction.
- NEN-EN-IEC 60204-1:2006, Safety of machinery - Electrical equipment of machines - Part 1: General requirements.
- NEN-EN-IEC 61000-6-3:2007/A1:2011, Electromagnetic compatibility (EMC) - Part 6-3: Generic standards - Emission standard for residential, commercial and light-industrial environments.

- Original declaration of conformity
 Translation of the original declaration of conformity

Name manufacturer : MAGIC FX BV
Address : Schouwrooij 27, 5281 RE BOXTEL
Country : The Netherlands

CEO : B. Veroude
Date : 17-01-2017

Signature :



MAG:CFX[®]

WWW.MAGICFX.EU

