

# ACCU ROLLER 250™



## User Instructions

American DJ®  
4295 Charter Street  
Los Angeles CA. 90058  
[www.americandj.com](http://www.americandj.com)



# Accu Roller 250™

## Table of Contents

General Information.....	4
Features.....	5
Safety Precautions.....	6
Handling Precautions.....	7
Discharge Lamp Warnings.....	7
Registration.....	8
Controls and Functions.....	9
Set-Up.....	12
System Menu.....	15
Editing Program.....	29
Operating Modes.....	33
Fuse and Lamp Replacement.....	35
DMX Traits.....	37
Gobos.....	38
Gobo Replacement.....	40
Cleaning.....	41
Trouble Shooting.....	41
Warranty.....	42
Specifications.....	43

### Accu Roller 250™

### General Information

**Unpacking:** Thank you for purchasing the Accu Roller 250™ by American DJ®. Every Accu Roller 250™ has been thoroughly tested and has been shipped in perfect operating condition. Carefully check the shipping carton for damage that may have occurred during shipping. If the carton appears to be damaged, carefully inspect your fixture for any damage and be sure all equipment necessary to operate the unit has arrived intact. In the event damage has been found or parts are missing, please contact our toll free customer support number for further instructions. Please do not return this unit to your dealer without contacting customer support first.

**Introduction:** The Accu Roller 250™ is a eight channel, intelligent DMX barrel scanner. The fixture can operate in three different operating modes; stand alone, sound-active, or in a Master/Slave configuration. The Accu Roller 250™ comes with several built in programs and is best used in multiples of four. When used as a stand alone unit or when used in multiples linked in a master/slave configuration. *For best results use fog or special effects smoke to enhance the beams projections.*

**During the initial start-up or use of this product a light smoke or smell may arise from the unit. This is a normal process and is cause by the heat associated with the lamp.**

**Customer Support:** American DJ® provides a toll free customer support line, to provide help and to answer any question should you encounter problems during your set up or initial operation. You may also visit us on the web at [www.americandj.com](http://www.americandj.com) for any comments or suggestions. Service Hours are Monday through Friday 9:00 a.m. to 5:00 p.m. Pacific Standard Time.

Voice: (800) 322-6337  
 Fax: (323) 582-2610  
 E-mail: [support@americandj.com](mailto:support@americandj.com)

To purchase parts online visit <http://parts.americandj.com>

**Warning!** To prevent or reduce the risk of electrical shock or fire, do not expose this unit to rain or moisture.

**Warning!** *This may cause severe eye damage. Avoid looking directly into the light source at all times!*

## Accu Roller 250™

## Features

- Micro-Stepping Motors for Smooth Color and Gobo Transitions
- DMX-512 Protocol Compatible (Uses Eight DMX Channels)
- Independent Gobo and Color Wheels
- 7 Rotating Gobos w/ Shake, 1 Dichroic and 1 Beveled gobo + Spot - All Replaceable
- 9 Colors, Plus White - With Rainbow
- RDMX - Lets you set the DMX address from any DMX Controller
- 3 Operating Modes - Master/Slave; Stand Alone; Sound Active
- Internal Microphone
- ZB-MSD250 Discharge Lamp, 250w 2000 Hours
- Edit and Save Scenes into the Memory
- Manual Focus Lens
- Variable Strobe (1-12 fps)
- Motor Calibration Adjustment
- 180° Pan Movement
- 45° Barrel Scrolling
- Mic Sensitivity Adjustment
- Digital Display for Address and Function Setting

## Accu Roller 250™

## RDMX

### Regarding RDMX :

1. The units will be shipped preset in 16 channel increments from the factory
2. While using RDMX, if all units are set to the same DMX address, all units will change to the new DMX address you selected.

**EXAMPLE:** You have four units, and all the units are set to the DMX address of “1”, and you change one unit to DMX address “17”, this will cause all the units to change to DMX address “17”.

All four units must be on 4 different starting addresses to individually set the DMX addresses for each unit.

**For more on this feature see pages 25-26.**

## Accu Roller 250™

## Safety Precautions

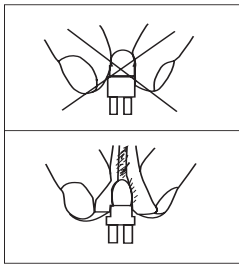
***For Your Own Personal Safety, Please Read and Understand This Manual Completely Before You Attempt To Install Or Operate This Unit!***

- To reduce the risk of electrical shock or fire, do not expose this unit rain or moisture
- Do not spill water or other liquids into or on to your unit.
- Be sure that the local power outlet match that of the required voltage for your unit.
- Do not attempt to operate this unit if the power cord has been frayed or broken.
- Do not attempt to remove or break off the ground prong from the electrical cord. This prong is used to reduce the risk of electrical shock and fire in case of an internal short.
- Disconnect from main power before making any type of connection.
- Do not remove the cover under any conditions. There are no user serviceable parts inside.
- Never operate this unit when it's cover is removed.
- Always be sure to mount this unit in an area that will allow proper ventilation. Allow about 6” (15cm) between this device and a wall.
- Do not attempt to operate this unit, if it becomes damaged.
- This unit is intended for indoor use only, use of this product outdoors voids all warranties.
- Always mount this unit in safe and stable matter.
- Power-supply cords should be routed so that they are not likely to be walked on or pinched by items placed upon or against them, paying particular attention to cords at plugs, convenience receptacles, and the point where they exit from the appliance.
- Cleaning -The fixture should be cleaned only as recommended by the manufacturer. See page 41 for cleaning details.
- Heat -This fixture should be situated away from heat sources such as radiators, heat registers, stoves, or other appliances (including amplifiers) that produce heat.
- The fixture should be serviced by qualified service personnel when:
  - A. Objects have fallen, or liquid has been spilled into the appliance.
  - B. The appliance has been exposed to rain or water.
  - C. The appliance does not appear to operate normally or exhibits a marked change in performance.

**Caution!** There are no user serviceable parts inside this unit. Do not attempt any repairs yourself, doing so will void your manufacturer's warranty. In the unlikely event your unit may require service please contact American DJ®.

*During operation the housing may become extremely hot. Avoid touching the unit with bare hands while in use.*

*American DJ® will not accept any liability for any resulting damages caused by the non-observance of this manual or any unauthorized modification to this unit.*



This fixture is fitted with a discharge lamp which is highly susceptible to damage if improperly handled. Never touch the lamp with your bare fingers as the oil from your hands will shorten lamp life. Also, never move the fixture until the lamps have had ample time to cool. Remember, lamps are not covered under warranty conditions.

This unit emits intense UV radiation which is harmful to the eyes and skin. The intense luminance of the lamp can cause severe damage to the retina. Never operate this unit without its covers, these covers have been specially designed to shield against UV radiation.

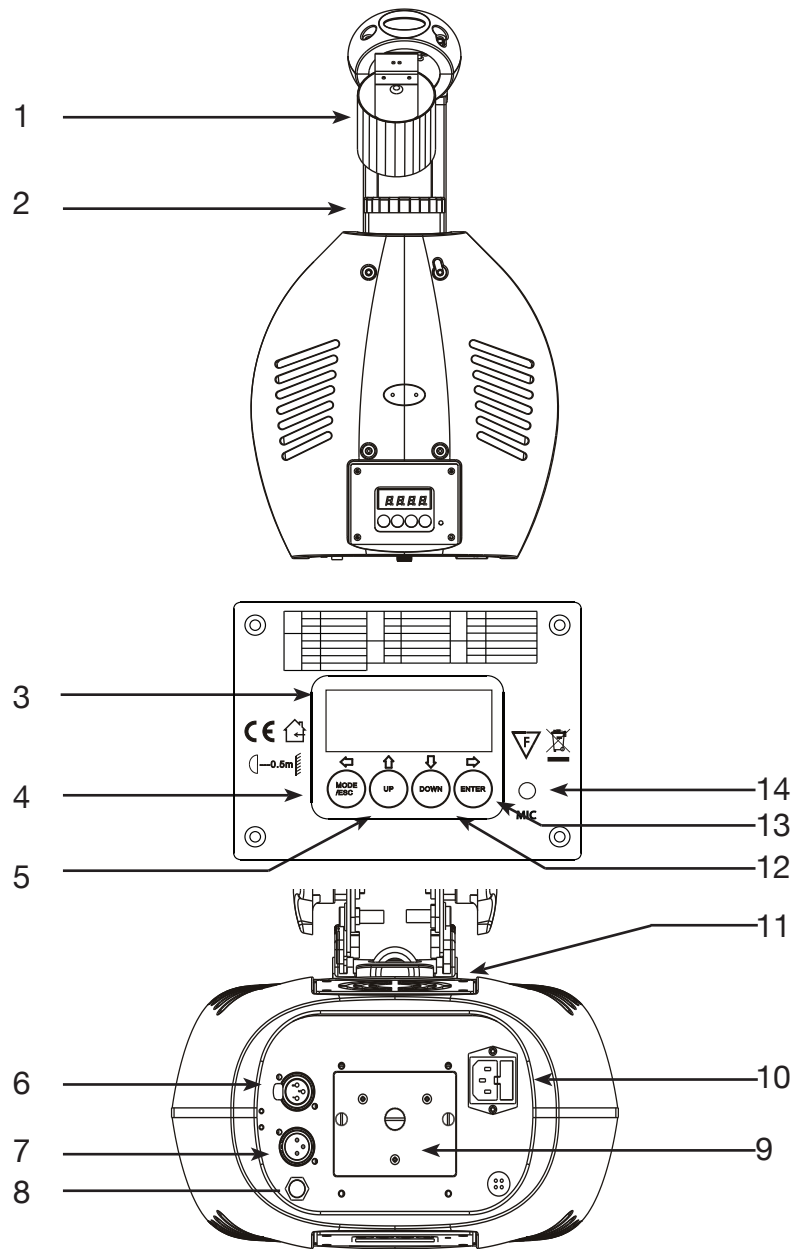
**Epileptic Warning:** *Those suffering from epilepsy should avoid looking directly into the lamp at all times.*

Avoid switching the fixture on and off repeatedly in short intervals as this will reduce lamp life and intensity.

To achieve the intensity associated with discharge lamps, these lamps use gas sealed in a high pressure environment to emit a brilliant output. Due to the high pressure involved with the construction of the lamp, the lamp may explode during prolonged extensive use. This risk is increased with age, added care is encouraged when dealing with older lamps. Extreme caution should be used when operating this or any fixture fitted with a gas discharge lamp. Never open this unit while in use.

To optimize the performance of this product, please read these operating instructions carefully to familiarize yourself with the basic operations of this unit. These instructions contain important safety information regarding the use and maintenance of this unit. Please keep this manual with the unit, for future reference.

The Accu Roller 250™ carries a one year limited warranty. Please fill out the enclosed warranty card to validate your purchase. All returned service items whether under warranty or not, must be freight pre-paid and accompany a return authorization (R.A.) number. The R.A. number must be clearly written on the outside of the return package. A brief description of the problem as well as the R.A. number must also be written down on a piece of paper and included in the shipping carton. If the unit is under warranty, you must provide a copy of your proof of purchase invoice. You may obtain a R.A. number by contacting our customer support team on our toll free customer support number. All packages returned to the service department not displaying a R.A. number on the outside of the package will be returned to the shipper at the shippers cost.



**1. Barrel Mirror** - This is a highly reflective surface mirror specifically designed to optimize and enhance beam output. Never use glass cleaner that contain ammonia to clean the surface of the mirror (such as Windex).

**2. Lens Assembly** - This high quality lens is a fully focusing. Focus the lens by manually turning the lens in a clockwise or counter-clockwise direction until the desired effect is achieved.

**3. Digital Display** - This display shows the menu and operating functions that you can choose from.

**4. Mode/Esc Button** - This button is used to enter the main menu and submenus. It is also used to exit menus.

**5. Up Button** - This button is used to scroll forward when navigating through the system menu.

**6. XLR DMX Input Jack** - This jack is used to receive an incoming DMX signal or Master/Slave signal.

**7. XLR Output Jack** - This jack is used to transmit the incoming DMX signal to another DMX fixture, or transmit a Master/Slave signal to the next Accu Roller 250™ in the chain. For best results in DMX or Master/Slave mode terminate this jack if it is the last unit in the chain. See "Terminator" on page 13.

**8. Mini/C Controller Jack** - This jack is for use with the optional Mini/C controller only. Do not attempt to connect an audio signal to this jack, this will damage the PC board and void your manufactures warranty!

**9. Lamp Assembly and Access Plate** - This plate accesses the lamp socket assembly. The unit includes a spring mounted ZB-MSD250 250w discharge lamp. Be sure to only replace with same type lamp. After replacing a lamp be sure the lamp is centered in the reflector. See page 35-36 for details on installing and optimizing replacement lamps. Never operate this unit with the lamp exposed, this lamp emits strong UV radiation.

**10. Power Cord Inlet & Fuse Holder**

**Power Cord Inlet** - This unit is equipped with a removable I.E.C. power cord. Be sure to only use the power cord included with the unit, this

cord is designed to match the electrical requirements of the unit. Other cords may cause the unit to overheat or malfunction. Voltage may vary from venue to venue, when connecting this unit to a power supply be sure to connect to a matching power outlet. Never use this fixture if the ground prong has been removed or broken off. The ground prong is designed to reduce the risk of fire or electrical shock in the event the unit suffers from an internal short.

**Fuse Holder** - This housing stores a 8 amp (4 amp 220v) GMA protective fuse. Never defeat the fuse, the fuse is designed to protect the electronics in the event of severe power fluctuations. Always be sure to replace the fuse with an exact match as the one being replaced, unless otherwise told to do so by an authorized American DJ® service technician.

**11. Cooling Fan** - This unit is equipped with three high velocity variable fans to aid in the cooling process. These fans are designed to vary their velocity at different operating temperatures, to provide better cooling when the unit reached higher operating temperatures associated with long usage. Be sure to never obstruct the cooling fans during normal usage. Also, be sure to keep the vents clean at all times. A blocked or malfunctioning cooling system may shorten lamp life and unit reliability.

**12. Down Button** - This button is used to scroll backwards when navigating through the system menu.

**13. Enter Button** - This button is used to select and confirm a function in the system menu.

**14. Microphone** - This microphone receives external low frequencies to trigger the unit in Sound-Active mode. This microphone is designed to receive low frequency sounds only, tapping on the microphone and high pitch sounds may not trigger the unit.

**Power Supply:** Before plugging your unit in, be sure the source voltage in your area matches the required voltage for your American DJ® Accu Roller 250.™ The American DJ® Accu Roller 250™ is available in a 120v and 220v version. Because line voltage may vary from venue to venue, you should be sure your unit voltage matches the wall outlet voltage before attempting to operate you fixture. Also be sure to only use the included I.E.C. power cable supplied with the unit, this cable matches the voltage and current requirements of the unit.

**DMX-512:** *DMX is short for Digital Multiplex. This is a universal protocol used by most lighting and controller manufactures as a form of communication between intelligent fixtures and controllers. A DMX controller sends DMX data instructions from the controller to the fixture. DMX data is sent as serial data that travels from fixture to fixture via the DATA “IN” and DATA “OUT” XLR terminals located on all DMX fixtures (most controllers only have a DATA “OUT” terminal).*

**DMX Linking:** DMX is a language allowing all makes and models of different manufactures to be linked together and operate from a single controller, as long as all fixtures and the controller are DMX compliant. *To ensure proper DMX data transmission, when using several DMX fixtures try to use the shortest cable path possible. The order in which fixtures are connected in a DMX line does not influence the DMX addressing. For example; a fixture assigned a DMX address of 1 may be placed anywhere in a DMX line, at the beginning, at the end, or anywhere in the middle. Therefore, the first fixture controlled by the controller could be the last fixture in the chain. When a fixture is assigned a DMX address of 1, the DMX controller knows to send DATA assigned to address 1 to that unit, no matter where it is located in the DMX chain.*

**Data Cable (DMX Cable) Requirements (For DMX and Master/Slave Operation):** The Accu Roller 250™ can be controlled via DMX-512 protocol. The Accu Roller 250™ is a eight channel DMX unit. The DMX address is set electronically using the controls on the side panel of the unit. Your unit and your DMX controller require a standard 3-pin XLR connector for data input and data output (Figure



1). If you are making your own cables, be sure to use standard two

American DJ® - www.americandj.com - Accu Roller 250™ Instruction Manual Page 12

conductor shielded cable (This cable may be purchased at almost all professional sound and lighting stores). Your cables should be made with a male and female XLR connector on either end of the cable. Also remember that DMX cable must be daisy chained and cannot be split.

**Notice:** Be sure to follow figures two and three when making your own cables. Do not use the ground lug on the XLR connector. Do not connect the cable's shield conductor to the ground lug or allow the shield conductor to come in contact with the XLR's outer casing. Grounding the shield could cause a short circuit and erratic behavior.

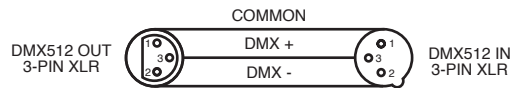


Figure 2

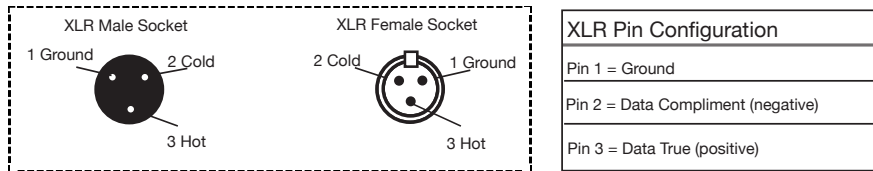


Figure 3

**Special Note: Line Termination.** When longer runs of cable are used, you may need to use a terminator on the last unit to avoid erratic behavior. A terminator is a 90-120 ohm 1/4 watt resistor which is connected between pins 2 and 3 of a male XLR connector (DATA + and DATA -). This unit is inserted in the female XLR connector of the last unit in your daisy chain to terminate the line. Using a cable terminator (ADJ part number Z-DMX/T) will decrease the possibilities of erratic behavior.

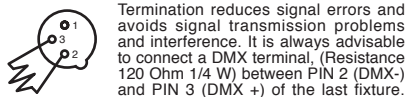


Figure 4

**5-Pin XLR DMX Connectors.** Some manufactures use 5-pin XLR connectors for DATA transmission in place of 3-pin. 5-pin XLR fixtures may be implemented in a 3-pin XLR DMX line. When inserting standard 5-pin XLR connectors in to a 3-pin line a cable adaptor must be used, these adaptors are readily available at most electric stores. The chart below details a proper cable conversion.

3-Pin XLR to 5-Pin XLR Conversion		
Conductor	3-Pin XLR Female (Out)	5-Pin XLR Male (In)
Ground/Shield	Pin 1	Pin 1
Data Compliment (- signal)	Pin 2	Pin 2
Data True (+ signal)	Pin 3	Pin 3
Not Used		Pin 4 - Do Not Use
Not Used		Pin 5 - Do Not Use

2	PLAY	RUN	Runs fixture as master or alone for auto		
		AUDI	MSTR/ALON	Runs fixture as “master” or “alone” for audio	
		AUTO	OFF/ RUN /AUDI	Runs fixture for no DMX	
4	RESE	ALL	Reset all motors and returns fixture to home		
		SCAN	Reset only motors for pan/tilt		
		COLR	Reset only motors for colors		
		GOBO	Reset only motors for gobo and rotation		
		SHTR	Reset only motors for shutter and/or dimmer		
5	TIME	LIFE	0000~9999	Displays the total fixture running time	
		LAMP	0000~9999	Displays a lamps running time	
		CLMP		Clear lamp running time	
6	RPAN	ON/OFF	Reverses the pan movements		
7	RTLTL	ON/OFF	Reverses the tilt movements		
10	MIC	M-XX	Mic sensitivity		
11	DISP	VALU	D-XX D-00 (DXXX)	Display the DMX512 value of each channel	
		D ON	ON/OFF	Display turn off after 2mins	
		FLIP	ON/OFF	This function will reverse the display 180	
12	SPEC	RDMX	ON/OFF	Change DMX address via external controller	
		SPOT	ON/OFF	Lamp optimization	
		DFSE	ON/OFF	Resets all the fixture functions to default	
		VER	V1.0~V9.9	Software version	
		ADJU	CODE	CXXX	Fixture code *code is “C050”
13	EDIT	CH01~CH30	XXXX(-128~127)	Motor Calibration	
		STEP	S-01 ~S-48	Set the amount of your program	
		SCXX	C-01~C-30	01 XX(00~FFH)	Edit the channels of each scene
			TIME	T XXX(001~999)	
			CEDT	ON/OFF	
		REC.	RE.XX	Auto Save	
		RUN	ON/OFF	Program test	

**ADDRESS MENU -**

R001 - R511 (Value) - This is where you set the DMX address of the unit.

**TEST MENU -**

T-01 - T-XX (Test) - Tests the functions of each channel. There are eight channels, but only channels 1,2,3,4, and 6 can be tested.

**PLAY MENU -**

RUN - Runs the unit as a “master” or in a stand alone mode. The unit will run a internal program mode.

AUDI (Audio) - Runs the unit as a “master” or in a stand alone, sound active mode.

AUTO - Runs the internal program.

**RESE (RESET) MENU -**

ALL - Resets all the motors in the unit.

SCAN - Resets the motors that control pan/tilt.

COLR (Color) - Resets the color motors.

GOBO - Resets the gobo motors.

SHTR - Resets the shutter motors.

**TIME MENU -**

LIFE - Displays the fixtures total running time.

LAMP - Displays the lamp running time.

CLMP - Clears the lamp running time.

**RPAN (REVERSE PAN) MENU -**

ON/OFF - When “On” is chosen it will reverse the pan.

**RTLTL (REVERSE TILT) MENU -**



ON/OFF - When “On” is chosen it will reverse the tilt.

### **MIC MENU -**

01-01-01-70 - With this function you can make the internal mic more or less sensitive to sound.

### **DISPLAY MENU -**

VALU (DMX-512 Value) - Display the DMX-512 value of each channel.

ON (Display On) - Turns digital display on and off.

FLIP - “Flips” the digital display 180°.

### **SPEC MENU -**

RDXX - On/Off With this function you are able to change the DMX address via external controller. See pages 25-26.

SPOT - This provides a spot beam for better lamp optimization.

DFSE - This will reset the unit to the default settings.

VER (Version) - Software version 2.2

ADJU - Calibration functions

### **EDIT MENU -**

STEP (Step) - Steps to be used in Edit Programming. See edit program. See page 28.

SC01 - SC48 (Scene 01 - Scene 48) - These are the scene slots that you write your programs into. See edit program, pages 28 - 31.

TIME (Time) - Time for each scene. See pages 28 - 31.

EDIT - Edit program using a external controller. See pages 28 - 31.

C-01 - C-30 (Channel 1 - Channel 30) - The channels of each scene that can be edited. See pages 28 - 31.

**On-Board System Menu.** The Accu Roller 250™ comes with an easy to navigate system menu. This next section will detail the functions of each command in the system menu.

**Enter Button** - To access the main menu locate the ENTER button (6) on the front of the unit. Press this button to activate the system menu. Tap the UP button (4) until you reach function you wish to change. When you reach the function you wish to change tap the ENTER button. When a function is selected the menu will begin to flash, use the UP button to change the function. Once your changes are made tap the ENTER button again to lock the change in the system, if the ENTER button is not selected within eight seconds the system will automatically return to menu section. To exit without making any changes tap the MODE/ESC button (3).

### **ADDR MENU -**

#### **ADDR DMX Address Setting via control board -**

1. Access the main menu.
  2. Tap the UP button until “ADDR” is displayed, press ENTER.
  3. “ADDR” will now be displayed. Press the UP or DOWN buttons to find your desired address. Press ENTER to confirm.
  4. The display will show “PASS”, and then display, your selected address again.
  5. Press the MODE/ESC button to return to the main menu.
- When the display is on “ADDR”, you can directly press the UP or DN buttons to change the DMX start address.**

### **TEST MENU -**

#### **TEST - This will test the functions of each channel.**

1. Access the main menu.
2. Tap the UP button until “TEST” is displayed, press ENTER.

3. The display will show “T0-1”, “1” stands for the channel number 1, if you press the UP button until “T0-3” is displayed, the unit will test the color channel, changing the color one by one and showing the rainbow effect with different speeds.
4. Press MODE/ESC to exit.

### PLAY MENU -

**RUN** Run the unit as a “master”, or as a stand alone unit, using a internal program -

1. Access the main menu.
2. Tap the UP button until “PLAY” is displayed, press ENTER.
3. Tap the UP or DOWN button to choose between “MSTR” or “ALON“, select your choice and press ENTER.
4. Press MODE/ESC to return to the main menu.

**AUDI** Run the unit as a “master”, or as a stand alone unit, in a sound active mode -

1. Access the main menu.
2. Tap the UP button until “PLAY” is displayed, press ENTER.
3. Tap the UP or DOWN button to choose between “MSTR” or “ALON“, select your choice and press ENTER.
4. Press MODE/ESC to return to the main menu.

**AUTO** Runs the unit in Sound Active mode or a Auto program -

1. Access the main menu.
2. Tap the UP button until “PLAY” is displayed, press ENTER.
3. Tap the UP button until “AUTO” is displayed, press ENTER.

4. Now you can choose between “AUDI” or “RUN”. “AUDI” is sound active mode and “RUN” is the built-in program. Select the mode that you want the fixture to run in and press ENTER.
5. Press MODE/ESC to return to the main menu.

### RESE MAIN MENU -

**ALL** With this function you can reset all the motors.

1. Access the main menu.
2. Tap the UP button until “RESE” is displayed, press ENTER.
3. Tap the UP button until “ALL” is displayed, press ENTER.
4. Press ENTER to reset.
5. Press MODE/ESC to return to the main menu.

**SCAN** With this function you can reset the pan/tilt motors.

1. Access the main menu.
2. Tap the UP button until “RESE” is displayed, press ENTER.
3. Tap the UP button until “SCAN” is displayed, press ENTER.
4. Press ENTER to reset.
5. Press MODE/ESC to return to the main menu.

**COLR** With this function you can reset the color wheel motor.

1. Access the main menu.
2. Tap the UP button until “RESE” is displayed, press ENTER.
3. Tap the UP button until “COLR” is displayed, press ENTER.
4. Press ENTER to reset.

5. Press MODE/ESC to return to the main menu.

**GOGO** With this function you can reset the gobo wheel motor.

1. Access the main menu.
2. Tap the UP button until “RESE” is displayed, press ENTER.
3. Tap the UP button until “GOGO” is displayed, press ENTER.
4. Press ENTER to reset.
5. Press MODE/ESC to return to the main menu.

**SHTR** With this function you can reset the shutter motor.

1. Access the main menu.
2. Tap the UP button until “RESE” is displayed, press ENTER.
3. Tap the UP button until “SHTR” is displayed, press ENTER.
4. Press ENTER to reset.
5. Press MODE/ESC to return to the main menu.

**TIME MAIN MENU -**

**LIFE** - With this function you can display the running time of the unit.

1. Access the main menu.
2. Tap the UP button until “TIME” is displayed, press ENTER.
3. Tap the UP button until “LIFE” is displayed, press ENTER.
4. The display shows the running time of the unit.
5. Press MODE/ESC to return to the main menu.

**LAMP** - With this function you can display the running time

**of the lamp.**

1. Access the main menu.
2. Tap the UP button until “TIME” is displayed, press ENTER.
3. Tap the UP button until “LAMP” is displayed, press ENTER.
4. The display shows the running time of the lamp.
5. Press MODE/ESC to return to the main menu.

**CLMP** - With this function you can clear the running time of the lamp. **Note Very Important: Please clear the lamp time every time you replace the lamp.**

1. Access the main menu.
2. Tap the UP button until “TIME” is displayed, press ENTER.
3. Tap the UP button until “CLMP” is displayed.
4. Press ENTER to clear the lamp time, or press MODE/ESC to return to the main menu.

**RSPAN MAIN MENU -**

**RSPAN** - The movement of the Pan will be reversed.

1. Access the main menu.
2. Tap the UP button until “RSPAN” is displayed, press ENTER.
3. The display will show “ON/OFF”.
4. Press the UP button to select “ON” to activate this function, or “OFF” to deactivate this function.
5. Press ENTER to confirm.
6. Press MODE/ESC to return to the main menu.

**RSPAN MAIN MENU -**

**RTILT - The movement of the Tilt will be reversed.**

1. Access the main menu.
2. Tap the UP button until “RTILT” is displayed, press ENTER.
3. Press ENTER, the display will show “ON/OFF”.
4. Press the UP button to select “ON” to activate this function, or “OFF” to deactivate this function.
5. Press ENTER to confirm.
6. Press MODE/ESC to return to the main menu.

**MIC MENU -****MIC - The internal microphone can be made more or less sensitive.**

1. Access the main menu.
3. Tap the UP button until “MIC” is displayed, press ENTER.
4. The display will show “1-01”.
5. Press the UP or DOWN button to adjust the microphone sensitivity between “1-01 - 1-99”.
6. Press ENTER to confirm when you have reached your desired microphone sensitivity level.
7. Press MODE/ESC to return to the main menu.

**DISP MAIN MENU -****VALU Display the DMX-512 value of each channel -**

1. Access the main menu.
2. Tap the UP button until “DISP” is displayed, press ENTER.

3. Tap the UP button until “VALU” is displayed, press ENTER.
4. The display should show “0-00”. Press the UP button in order to select the desired channel. If you select “0-05” the display will only show the DMX value of the 5th channel
5. Press ENTER to confirm.
6. Press MODE/ESC to return to the main menu.

**Now the display will change as per the 5th channel DMX value.****0 ON Shuts off digital display after 2 minutes.**

1. Access the main menu.
2. Tap the UP button until “DISP” is displayed, press ENTER.
3. Tap the UP button until “0 ON” is displayed, press ENTER.
4. “CLOI” should now be displayed, press ENTER.
5. The display will show “ON/OFF”. Press the UP button to select “ON” to activate this function, or “OFF” to deactivate this function.
6. Press ENTER to confirm.
7. Press MODE/ESC to return to the main menu.

**FLIP - This function will reverse the display 180°.**

1. Access the main menu.
2. Tap the UP button until “DISP” is displayed.
3. Tap the UP button until “FLIP” is displayed.
4. Press ENTER, the display will show “ON/OFF”.
5. Press the UP button to select “ON” to activate this function, or “OFF” to deactivate this function.

6. Press ENTER to confirm.
7. Press MODE/ESC to return to the main menu.

## SPEC MAIN MENU -

**DMX** With this function you are able to change the DMX address via any DMX controller. This function is factory set to “ON” already.

1. Access the main menu by pressing MODE/ESC.
2. Tap the UP button until “SPEC” is displayed, press ENTER.
3. Tap the UP button until “DMX” is displayed, press ENTER.
4. The display will show “ON/OFF”. Press the UP button to select “ON” to activate this function, or “OFF” to deactivate.
5. Press ENTER to confirm, and “PASS” will flash quickly.
6. Press MODE/ESC to return to the main menu.

### **To use this function follow the instructions:**

To adjust the address of your unit you must first go to the address that it is currently set to. From there you can adjust the address. First make sure all channels are set to the value of “0”.

1. On your DMX controller set the DMX value of Channel 1 to the value “7”.
2. Now set the DMX value of Channel 2 to the value “7” to adjust the starting address between 1 and 255. To adjust the address between 256 and 511 set Channel 2 to the value “8” .
3. Set the DMX value of Channel 3 to your desired starting address. This will take about 20 seconds before the unit accepts the new DMX address.

**EXAMPLE:** So, if you want the address to be 57, you must first set the address that is currently assigned to the unit. The pro-

ceed to set Channel 1s’ value to “7”, Channel 2s’ value to “7”, and Channel 3s’ value to “57”.

**2ND EXAMPLE:** Again, if you want the address to be 420, you must first set the address that is currently assigned to the unit. If you want to set the address to 420, set Channel 1s’ value to “7”, Channel 2s’ value to “8”, and Channel 3s to “164”. (256 + 164 = 420)

**SPOT** - With this function you can adjust the lamp via the control board. The shutter opens and the lamp can be adjusted. In this mode, the device will not react to any control signal.

1. Access the main menu.
2. Tap the UP button until “SPEC” is displayed, press ENTER.
3. Tap the UP button until “SPOT” is displayed, press ENTER.
4. The display will show “ON/OFF”.
5. Press the UP button to select “ON” to activate this function, or “OFF” to deactivate this function.
6. Press ENTER to confirm.
7. Press MODE/ESC to return to the main menu.

**DFSE** - With this function you can restore the factory settings of the device. All settings will be set back to the default values. Any edited scenes will be lost. When restoring the factory settings the unit must be set to the address that the unit was in when you started editing.

1. Access the main menu.
2. Tap the UP button until “SPEC” is displayed, press ENTER.
3. Tap the UP button until “DFSE” is displayed, press ENTER.

4. The display will show “ON/OFF”.
5. Press the UP button to display “ON” to activate this function, or “OFF” to deactivate this function.
6. Press ENTER to confirm.
7. Press MODE/ESC to return to the main menu.

***When you exit this function, the unit will begin to reload data.***

**VER** - Use this function to display the Software version of the unit.

1. Access the main menu.
2. Tap the UP button until “SPEC” is displayed, press ENTER.
3. Tap the UP button until “VER” is displayed, press ENTER.
4. The display will show “V-X.X”, “X.X” stands for the version number, such as the display may show “V-1.0”, “V-9.9” etc.
5. Press ENTER or MODE/ESC to exit.

**ADJ** - Use this function is used to make sure all motors are aligned and to adjust any motors that are not.

1. Access the main menu.
2. Tap the UP button until “SPEC” is displayed, press ENTER.
3. Tap the UP button until “ADJ” is displayed, press ENTER.
4. Tap the UP button until “CODE” is displayed, press ENTER.
5. The display will show “CXXX”, were as “XXX” represents the calibration password. The calibration password is “C050.” Use the UP or DOWN buttons to enter the proper password.
6. Once the proper password is entered the display will read “CHXX”, were as “XX” represents the fixture channel number, in

the case of the Accu Roller 250 1~8.

7. Select the desired channel to be calibrated by pressing the UP or DOWN buttons and then ENTER to confirm.
8. The display will then read “XXXX”, were “XXXX” stands for the calibrate values.
9. Adjust the desired calibration value between -128 and 127 by pressing the UP and DOWN. As you scroll up and down through the calibration values you will notice slight changes in the wheel or motor you are attempting to calibrate.
10. Once you reach your desired calibration press ENTER to confirm and lock in your calibration.
11. Once you are completely finished press MODE/ESC to return to the main menu.

**EDIT** - This feature allows you to write and store a preset show into the fixtures internal memory (EEPROM) via the control panel or via the external controller. This show can then be recalled at anytime without a controller.

**RUN** - **With this function you can run your pre-made program. You can set the number of steps under “STEP”, and you can edit the individual scenes under “EDIT”.**

1. Access the main menu.
2. Tap the UP button until “EDIT” is displayed, press ENTER.
3. Tap the UP button until “RUN” is displayed, press ENTER.
4. Press the UP button to display “ON” to activate this function, or “OFF” to deactivate this function.
5. Press ENTER to confirm.
6. Press MODE/ESC to return to the main menu.

**STEP** - **With this function you can define the number of steps in the Run Program.**

1. Access the main menu.
2. Tap the UP button until “EDIT” is displayed, press ENTER.
3. Tap the UP button until “STEP” is displayed, press ENTER.
4. The display shows “S-01”, “01” stands for the first step of your program. You can call up to 48 scenes in “Run”. For example, if “S-05” is displayed, it means that “Run” will run the first 5 scenes you saved in “Edit”.
5. Press ENTER to save and MODE/ESC to exit.

***Editing procedure 1: Using the control board only.***

1. Access the main menu.
2. Tap the UP button until “EDIT” is displayed. Press ENTER.
3. The display will show “SC01”, this stands for the scene number. For example, “SC01” is displayed, it means you will be editing scene 1, press ENTER. You can change the scene number by pressing the UP button.
4. Press ENTER, the display will show “C-1”, this stands for the channel number. If “C-01” is displayed, you will be editing channel 1 of your selected scene, press ENTER. You can change the scene number by pressing the UP button.
5. The display will show the DMX value for the channel that is being edited. It will be displayed as “11XX”, it stands for Channel 11 of the editing scene, the DMX value is “XX”.
6. Adjust the DMX value by pressing the UP button, until you get the expected effect for this channel.
7. Press ENTER to enter the editing of the other channels of the scene.
8. Repeat steps 5-8, until you finish setting all the DMX values for all the channels of this scene, each scene can have 15 channels maximum.
9. Once all the channels are completed, the display will flash “TIME”, this stands for the time needed to run this scene.
10. Press ENTER to edit the time needed, the display shows “T-XX”, “XX” stands for the time needed to run this scene. For example, “T-06” means scene 1 needs 6 seconds to run, “T-15” means scene 5 needs 45 seconds to run.
11. Adjust the time needed by pressing the UP button.
12. Press ENTER to save the settings for the scene you are

editing, the display will change to the next scene automatically.

13. Repeat steps 3-12 to edit other scenes, you can edit and save 48 scenes maximum.

14. Press MODE/ESC to exit, now you have edited and saved scenes using the control board. The number of steps can be defined under “Step” and the scenes can be called up under “Run”. To run the scenes see page 29.

### ***Editing procedure 2: Using an external controller.***

1. Access the main menu.
2. Tap the UP button until “EDIT” is displayed. Press ENTER.
3. The display will show “SC01”, this stands for the scene number to be edited. For example: If “SC01” is displayed, you will be editing scene 1.
4. Change the scene number by pressing the UP button.
5. Press ENTER, the display will show “C-01”, the “1” stands for the channel number 1.
6. Press the UP button until “CEDT” is displayed, press ENTER.
7. The display will show “OFF”, press the UP button so that “ON” is displayed, press ENTER.
8. The display shows “SC02”. You have successfully downloaded the first scene.
9. Adjust the Step-time. needed by pressing the UP button.
10. Call up the second scene in your controller now.
11. Repeat steps 3-6 until all desired scenes are downloaded.
12. Press MODE/ESC to exit. The number of steps can be defined under “Step” and the scenes can be called up under “Run”.



**Operating Modes:** The Accu Roller 250™ can operate in three different modes. This next section will detail the differences in the operating modes.

- **Stand alone mode -**

The unit will react to sound, chasing through the built-in programs.

- **Master/Slave mode -**

You can daisy chain up to 16 units together to get a synchronized light show without the need of an external controller. The units will react to sound chasing through the several built-in programs.

- **DMX control mode -**

This function will allow you to control each individual fixtures traits with a standard DMX-512 controller such as the Elation® Show Designer.™

**Universal DMX Control:** This function allows you to use a universal DMX-512 controller such as the Elation® DMX Operator™ or Elation® Show Designer™ to control head movement, the color wheel, gobo wheel, and the shutter (strobe). A DMX controller allows you to create unique programs tailored to your individual needs.

1. The Accu Roller 250™ uses eight DMX channels. See pages 37-39 for detailed description of the DMX traits.
2. To control your fixture in DMX mode, follow the set-up procedures on pages 12-14 as well as the set-up specifications that are included with your DMX controller.
3. Use the controller's faders to control the various DMX fixture traits.
4. This will allow you to create your own programs.
5. Follow the instruction on page 18 to set the DMX address.
6. For longer cable runs (more than a 100 feet) use a terminator on the last fixture.
7. For help operating in DMX mode consult the manual included with your DMX controller.

**Stand-Alone Operation (Sound Active):** This mode allows a single unit or several units linked together, to run to the beat of the music.

1. Access the main menu.
2. Tap the UP button until "ALONE" is displayed, and Press ENTER.

3. Tap the UP button until "ALONE" is displayed, and Press ENTER.
4. Press MODE/ESC to return to the main menu
5. You may invert the pan and tilt functions by in the system menu by following the directions on page 23.

**Master-Slave Operation (Sound Active):** This function will allow you to link up to 16 units together and operate without a controller. The units will be sound activated. In Master-Slave operation one unit will act as the controlling unit and the others will react to the controlling units programs. Any unit can act as a Master or as a Slave.

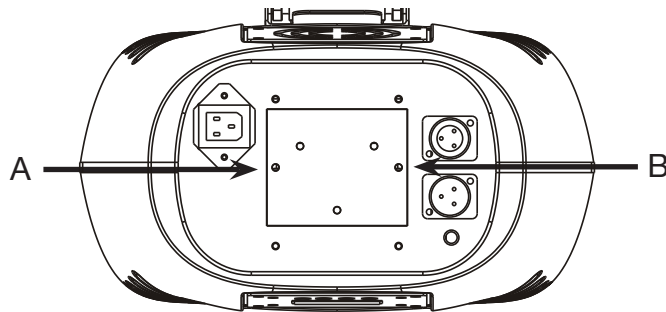
1. Using standard XLR microphone cables, daisy chain your units together via the XLR connector on the rear of the units. Remember the Male XLR connector is the input and the Female XLR connector is the output. The first unit in the chain (master) will use the female XLR connector only - The last unit in the chain will use the male XLR connector only. For longer cable runs we suggest a terminator at the last fixture.
2. Access the main menu.
3. Tap the UP button until "ALONE" is displayed, and Press ENTER.
4. Tap the UP button until "MASTER" is displayed, and Press ENTER.
5. Press MODE/ESC to return to the main menu
6. You may invert the pan and tilt functions by in the system menu by following the directions on page 23.

**Caution:** Always replace with the exact same type lamp and fuse, unless otherwise specified by an authorized American DJ® service technician. Replacing with anything other than the specified part can damage your unit and will void your manufactures warranty.

**Warning:** If you continue to blow lamps or fuses, STOP using the unit. Contact customer support for further instructions, you may have to return the unit for servicing. Continuing to use the unit may cause serious damage.

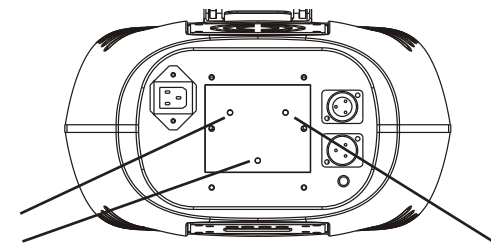
**Lamp Replacement:** Caution! Never attempt to change the lamp while the fixture is plugged in. Always disconnect the main power and allow the unit ample time to cool before attempting to replace the lamp. Lamp replacement has been made simple by incorporating slide out lamp assembly that is retained by two phillips screws.

1. Be sure to follow the proper handling procedures that deal with discharge lamps.
2. Remove the two small screws (A,B) on the rear of the unit
3. After removing the screws, gently slide out the socket assembly from the rear of the unit to expose the lamp.
4. Carefully remove the old lamp and discard it in the trash.
5. Replace the lamp with an exact match and reassemble in reverse order.
6. After replacing the lamp follow the optimization procedures on the next page to be sure the lamp is center in the reflector



**Optimizing Lamp Alignment:** This procedure centers the lamp in the reflector. Proper optimization will increase lamp life and ensure a bright crisp output. Improper optimization may add a yellow tint to the lamp output and reduce intensity.

1. Be sure main power is disconnected and allow the unit to cool. If the you have just installed a new unit you can obviously skip this step.
2. Make a preliminary adjustment: Turn the three lamp adjustment thumb screws completely in (clockwise). Then back them each out (counter-clockwise) about three complete turns.
3. Turn the unit on and allow it to reset.
4. Using either a DMX controller or the control panel on the unit, strike the lamp and focus the light on a flat surface. Please see Spot on page 26.
6. Center the hot-spot (the brightest part of the beam) using the 3 adjustment screws. Turn one screw at a time to drag the hot-spot diagonally across the projected image. If you cannot detect a hot-spot, adjust the lamp until the light is even.
7. To reduce a hot-spot, pull the lamp in by turning all three screws clockwise 1/4-turn at a time until the light is evenly distributed.
8. If the light is brighter around the edge than it is in the center, or if light output is low, the lamp is too far back in the reflector. "Push" the lamp out by turning the screws.

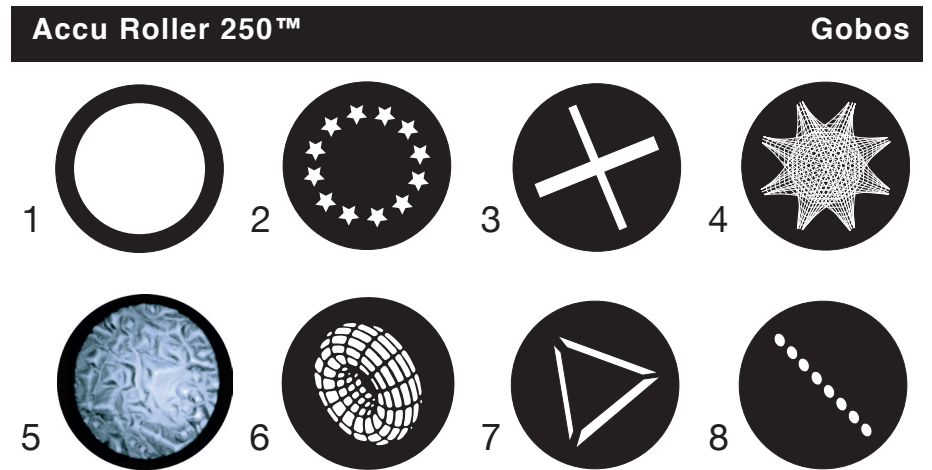


Optimizing Screws

Optimizing Screws

**Fuse Replacement:** Locate and remove the unit's power cord. Once the cord has been removed located the fuse holder located inside the power socket. Insert a flat-head screw driver into the power socket and gently pry out the fuse holder. Remove the bad fuse and replace with a new one. The fuse holder has a built-in socket for a spare fuse be sure not to confuse the spare fuse with active fuse.

Accu Roller 250™		DMX Traits
Channel	Value	Function
1	0 - 255	PAN
2	0 - 7 8 - 127 128 - 135 136 - 255	<u>BARRAL CONTROL</u> NO ROTATION FORWARD BARRAL ROTATION FAST → SLOW NO ROTATION BACKWARDS BARRAL ROTATION SLOW → FAST
3	0 - 199 0 - 19 20 - 39 40 - 59 60 - 79 80 - 99 100 - 119 120 - 139 140 - 159 160 - 179 180 - 199 200 - 255	<u>COLOR</u> WHITE RED BLUE GREEN YELLOW MAGENTA ORANGE PURPLE PINK LIGHT BLUE RAINBOW EFFECT
4	0 - 13 14 - 27 28 - 41 42 - 55 56 - 69 70 - 83 84 - 97 98 - 115 116 - 135	<u>GOBO</u> <u>SPOT</u> ROTATING GOBO 1 (metal) ROTATING GOBO 2 (metal) ROTATING GOBO 3 (dichoric) ROTATING GOBO 4 (metal) ROTATING GOBO 5 (metal) ROTATING GOBO 6 (metal) ROTATING GOBO 7 (metal) ROTATING GOBO 1 SHAKE



Accu Roller 250™		DMX Traits cont.
Channel	Value	Function
4	136 - 155 156 - 175 176 - 195 196 - 215 216 - 235 236 - 255	ROTATING GOBO 2 SHAKE ROTATING GOBO 3 SHAKE ROTATING GOBO 4 SHAKE ROTATING GOBO 5 SHAKE ROTATING GOBO 6 SHAKE ROTATING GOBO 7 SHAKE
5	0 - 7 8 - 127 128 - 135 136 - 255	<u>GOBO ROTATION</u> NO ROTATION FORWARDS GOBO ROTATION FAST → SLOW NO ROTATION BACKWARDS GOBO ROTATION SLOW → FAST
6	0 - 31 32 - 63 64 - 95	<u>SHUTTER/STROBE</u> SHUTTER CLOSED DIMMER STROBE SLOW → FAST

Accu Roller 250™		DMX Traits cont.
Channel	Value	Function
6 ↓	96 - 127	SHUTTER OPEN
	128 - 159	PULSE EFFECT
	160 - 191	SHUTTER OPEN
	192 - 223	RANDOM STROBE
	224 - 255	SLOW → FAST SHUTTER OPEN
7 ↓		<u>RESET/INTERNAL PROGRAMS</u>
	0 - 19	COLOR CHANGE NORMAL
	20 - 39	COLOR CHANGE TO ANY POSITION
	40 - 79	NO ROTATION
	80 - 84	ALL MOTOR RESET
	85 - 87	SCAN MOTOR RESET
	88 - 90	COLOR MOTOR RESET
	91 - 93	GOBO MOTOR RESET
	94 - 96	SHUTTER/DIMMER MOTOR RESET
	97 - 99	NO ROTATION
	100 - 119	INTERNAL PROGRAM 1
	120 - 139	INTERNAL PROGRAM 2
	140 - 159	INTERNAL PROGRAM 3
	160 - 179	INTERNAL PROGRAM 4
	180 - 199	INTERNAL PROGRAM 5
200 - 219	INTERNAL PROGRAM 6	
220 - 239	INTERNAL PROGRAM 7	
240 - 255	SOUND ACTIVE	
8 ↓		<u>SPEED OF PAN/TILT MOVEMENT</u>
	0 - 225	MAX. TO MIN. SPEED
	226 - 235	BLACKOUT BY MOVEMENT
	236 - 245	BLACKOUT BY WHEEL MOVEMENT
	246 - 255	NO FUNCTION

Accu Roller 250™	Gobo Replacement
<p>This unit comes with interchangeable gobos. Changing the gobos is a easy procedure. Follow the instructions below.</p> <p><b>Caution!</b> <i>Never open the unit when in use. Always disconnect the main power before attempting to change the gobos.</i></p>	
<ol style="list-style-type: none"> <li>To change the gobo, you must remove the top half of the units body. The top half of the body has the LED display on it</li> <li>Unscrew the four phillips screws on the front of the body. Remove the top half shell of the body.</li> <li>When you remove the top shell you will be able to access the gobo wheel. Turn the wheel with your hand until you come across the gobo you would like to change.</li> <li>Remove the fixation-ring with a small flat-head screwdriver or pair of needle nose pliers. Push the gobo out towards the front. When doing this you do not need a lot of pressure.</li> <li>Change the gobo, replace the fixation-ring, and reassemble the unit.</li> </ol>	

**Fixture Cleaning:** Due to fog residue, smoke, and dust cleaning the internal and external optical lenses and mirror should be carried out periodically to optimize light output. Cleaning frequency depends on the environment in which the fixture operates (I.e. smoke, fog residue, dust, dew). In heavy club use we recommend cleaning on a monthly basis. Periodic cleaning will ensure longevity, and crisp output.

1. Use normal glass cleaner and a soft cloth to wipe down the outside casing.
2. Use a brush to wipe down the cooling vents and fan grill.
3. Clean the external optics and mirror with glass cleaner and a soft cloth every 20 days.
4. Clean the internal optics with glass cleaner and a soft cloth every 30-60 days.
5. Always be sure to dry all parts completely before plugging the unit back in.

**Trouble Shooting:** Listed below are a few common problems that you may encounter, with solutions.

***No light output from the unit;***

1. Be sure you have connected your unit into a standard 120v wall outlet.
2. Be sure the external fuse has not blown. The fuse is located on the bottom panel of the unit.
3. Remove the lamp holder and be sure the lamp is seated in its socket properly. Occasionally lamps become loose during shipping be sure the lamp is push in to its socket all the way.
4. Be sure the fuse holder is completely and properly seated.

***Unit does not respond to sound;***

1. Low frequencies (bass) should cause the unit to react to sound. Tapping on the microphone, quiet or high pitched sounds may not activate the unit.

**1-YEAR LIMITED WARRANTY**

A. American DJ® hereby warrants, to the original purchaser, American DJ® products to be free of manufacturing defects in material and workmanship for a period of 1 Year (365 days) from the date of purchase. This warranty shall be valid only if the product is purchased within the United States of America, including possessions and territories. It is the owner's responsibility to establish the date and place of purchase by acceptable evidence, at the time service is sought.

B. For warranty service, send the product only to the American DJ® factory. All shipping charges must be pre-paid. If the requested repairs or service (including parts replacement) are within the terms of this warranty, American DJ® will pay return shipping charges only to a designated point within the United States. If the entire instrument is sent, it must be shipped in its original package. No accessories should be shipped with the product. If any accessories are shipped with the product, American DJ® shall have no liability whatsoever for loss of or damage to any such accessories, nor for the safe return thereof.

C. This warranty is void if the serial number has been altered or removed; if the product is modified in any manner which American DJ® concludes, after inspection, affects the reliability of the product; if the product has been repaired or serviced by anyone other than the American DJ® factory unless prior written authorization was issued to purchaser by American DJ®; if the product is damaged because not properly maintained as set forth in the instruction manual.

D. This is not a service contract, and this warranty does not include maintenance, cleaning or periodic check-up. During the period specified above, American DJ® will replace defective parts at its expense, and will absorb all expenses for warranty service and repair labor by reason of defects in material or workmanship. The sole responsibility of American DJ® under this warranty shall be limited to the repair of the product, or replacement thereof, including parts, at the sole discretion of American DJ®. All products covered by this warranty were manufactured after January 1, 1990, and bear identifying marks to that effect.

E. American DJ® reserves the right to make changes in design and/or improvements upon its products without any obligation to include these changes in any products theretofore manufactured.

F. No warranty, whether expressed or implied, is given or made with respect to any accessory supplied with products described above. Except to the extent prohibited by applicable law, all implied warranties made by American DJ® in connection with this product, including warranties of merchantability or fitness, are limited in duration to the warranty period set forth above. And no warranties, whether expressed or implied, including warranties of merchantability or fitness, shall apply to this product after said period has expired. The consumer's and or Dealer's sole remedy shall be such repair or replacement as is expressly provided above; and under no circumstances shall American DJ® be liable for any loss or damage, direct or consequential, arising out of the use of, or inability to use, this product.

G. This warranty is the only written warranty applicable to American DJ® Products and supersedes all prior warranties and written descriptions of warranty terms and conditions heretofore published.

H. Lamps are not covered under this or any other warranty, either written or implied.

<b>Model:</b>	<b>Accu Roller 250™</b>
<b>Voltage*:</b>	120v/60Hz or 230v/50Hz
<b>Lamp:</b>	ZB-MSD250/2, 250w 2000 Hours
<b>Dimensions:</b>	9"(L) x 11.5"(W) x 22.5"(H) 228mm x 292mm x 571mm
<b>Colors:</b>	9 Plus White
<b>Gobos:</b>	7 Rotating + Spot - All Replaceable 25mm Outside/ 20mm Viewable
<b>Weight:</b>	30 Lbs. / 13.6 kgs.
<b>Fuse:</b>	8A (120v) / 4A (220v)
<b>Duty Cycle:</b>	None
<b>DMX:</b>	8 Channels
<b>Sound Active:</b>	Yes
<b>Working Position:</b>	Any Safe, Secure Position
<b>Warranty:</b>	1 Year (365 days)

\*Voltage is preset at the factory and is not user selectable

**Please Note:** Specifications and improvements in the design of this unit and this manual are subject to change without any prior written notice.