

Inti 



User Manual

Changes

Dreamvision provides this manual 'as is' without warranty of any kind, either expressed or implied, including but not limited to the implied warranties or merchantability and fitness for a particular purpose. Dreamvision may make improvements and/or changes to the product(s) and/or the program(s) described in this publication at any time without notice.

This publication could contain technical inaccuracies or typographical errors. Changes are periodically made to the information in this publication; these changes are incorporated in new editions of this publication.

Copyright

All right reserved. No part of this document may be copied, reproduced or translated. It shall not otherwise be recorded, transmitted or stored in a retrieval system without the prior written consent of Dreamvision.

Guarantee

Dreamvision provides a guarantee relating to perfect manufacturing as part of the legally stipulated terms of guarantee. On receipt, the purchaser must immediately inspect all delivered goods for damage incurred during transport, as well as for material and manufacturing faults. Dreamvision must be informed immediately in writing of any complaints.

If the purchaser or third party carries out modifications or repairs on goods delivered by Dreamvision, or if the goods are handle incorrectly, in particular if the systems are commissioned operated incorrectly or if, after the transfer of risks, the goods are subject to influences not agreed upon in the contract, all guarantee claims of the purchaser will be rendered invalid. Not included in the guarantee coverage are system failures which are attributed to programs or special electronic circuitry provided by the purchaser, e.g. interfaces. Normal wear as well as normal maintenance are not subject to the guarantee provided by Dreamvision either.

The environmental conditions as well as the servicing and maintenance regulations specified in this manual must be complied with by the customer.

Trademarks

Brand and product names mentioned in this manual may be trademarks, registered trademarks or copyrights of their respective holders. All brands and product names mentioned in this manual serve as comments or examples and are not to be understood as advertising for the products of their manufactures.

TABLE OF CONTENTS

1.0	SAFETY INSTRUCTIONS	5
1.1	Important Information.....	5
1.2	Important Safeguards.....	5
1.3	REGIONAL SPECIFIC INFORMATION.....	7
2.0	INSTALLATION GUIDELINES	8
2.1	About 3D Content and 3D Projection.....	8
2.2	Comfort and Caution	9
2.3	3D-Synchro Emitter.....	9
2.4	Environment of Use.....	10
2.5	Air-Flow and Space Requirements	10
2.6	Ceiling Mounting the Unit.....	11
2.7	Projection Distance.....	12
2.8	Setting the Lens Shift.....	12
3.0	REMOTE CONTROL UNIT (RCU)	16
3.1	General View	16
3.2	Loading and replacing batteries.....	16
3.3	How to use the Remote Control Unit.....	17
4.0	GETTING STARTED	18
4.1	General View	18
4.2	Connecting the Power Cord.....	19
4.3	Operating LEDs.....	20
4.4	Operating and Navigation Buttons	21
5.0	CONNECTIONS.....	22
5.1	Connecting a Video Source to the Projector	22
5.2	Connecting an Automation / Control device.....	23
5.3	Caution when connecting a device to HDMI input	24
6.0	MENU AND PICTURE SETTING.....	25
6.1	Menu Structure	25
6.2	Picture Adjust menu.....	29
	Picture Mode.....	29
	Color Profiles (Inti 2 & Inti 3).....	29
	Color Temperature.....	29
	Gamma.....	29
	Film Tone (Inti 2 & Inti 3, Film Picture Profile).....	30
	Dark / Bright Level	30
	Contrast	30
	Brightness.....	30
	Color.....	30
	Tint	30
	Advanced.....	30
	Reset.....	31
6.3	Input Signal menu	31
	HDMI Inputs	31
	Component	32
	PC (Inti 2 & Inti 3).....	32
	Picture Position	32
	Aspect Ratio	32
	Mask.....	34
	Progressive (only 480i, 576i, 1080i).....	34
6.4	Installation Menu	34
	Lens Control.....	34
	Pixel Adjust.....	34
	Installation Style.....	34
	Keystone.....	34

	Anamorphic (not available with 3D sources).....	34
	Screen Adjust	35
	Black Level	35
6.5	Display Setup Menu.....	35
	Back Color	35
	Menu Position	35
	Menu Display	35
	Line Display	36
	Source Display	36
	Logo	36
	Language	36
6.6	Function Menu	36
	Off-Timer	36
	High Altitude Mode.....	36
	Communication Terminal (Inti 2 & Inti 3).....	36
	Network (Inti 2 & Inti 3).....	36
	Lamp Reset.....	36
6.7	Information Menu	36
	Input Source	36
	Source.....	36
	Resolution	36
	H. Frequency	36
	V. Frequency	36
	Deep Color	37
	Lamp Time	37
6.8	Expert Calibration (Inti 2 & Inti 3).....	37
7.0	ANAMORPHIC LENS	38
7.1	Optional 2.35 CineWide and 2.35 THEATRE System (for Inti)	38
7.2	Using the Remote Control Unit.	38
7.3	2.35 CineWide	39
7.4	2.35 THEATRE System (for Inti).....	39
8.0	MAINTENANCE.....	41
8.1	Clean Dirt on the Cabinet	41
8.2	Dirt on the Lens	41
8.3	Replacing the Lamp	41
8.4	Cleaning and Replacing the Dust Filters	42
8.5	Troubleshooting	43
9.0	MISCELLANEOUS	44
9.1	RS-232 protocol.....	44
9.2	LAN protocole (Inti 2 & Inti 3)	49
9.3	Infra Red, long hex-pronto compatible RCU.....	50
9.4	PC compatible signals.....	51
9.5	Specifications.....	52

1.0 SAFETY INSTRUCTIONS

1.1 Important Information

Lead-free regulation

This product has a High Intensity Discharge (HID) lamp that contains a small amount of mercury. It also contains lead in some components.

Disposal of these materials may be regulated in your community due to environmental considerations. For disposal or recycling information please contact your local authorities, or the Electronics Industries Alliance: <http://www.eiae.org>.

Information for Users on Disposal of Old Equipment

This symbol indicates that the electrical and electronic equipment should not be disposed as general household waste at its end of life. Instead, the product should be handed over to the applicable collection point for the recycling of electrical and electronic equipment for proper treatment, recovery and recycling in accordance with your national legislation.



By disposing of this product correctly, you will help to conserve natural resources and will help prevent potential negative effects on the environment and human health which could otherwise be caused by inappropriate waste handling of this product.

For more information about collection point and recycling of this product, please contact your local municipal office, your household waste disposal service or the shop where you purchased the product. Penalties may be applicable for incorrect disposal of this waste, in accordance with national legislation.

Other Countries outside the European Union:

If you wish to dispose of this product, please do so in accordance with applicable national legislation or other rules in your country for the treatment of old electrical and electronic equipment.

About the installation place

Do not install the projector in a place that cannot support its weight securely.

If the installation place is not sturdy enough, the projector could fall or overturn, possibly causing personal injury.

CAUTION:

To reduce the risk of electric shock, do not remove cover. Refer servicing to qualified service personnel. This projector is equipped with a 3-blade grounding type plug to satisfy FCC rule. If you are unable to insert the plug into the outlet, contact your electrician.

WARNING:

To prevent fire or shock hazards, do not expose this appliance to rain or moisture. This apparatus must be earthed.

1.2 Important Safeguards

Electrical energy can perform many useful functions. This unit has been engineered and manufactured to assure your personal safety. **But IMPROPER USE CAN RESULT IN POTENTIAL ELECTRICAL SHOCK OR FIRE HAZARD.** In order not to defeat the safeguards incorporated into this product, observe the following basic rules for its installation, use and service.



The power input is auto-ranging from 100 to 240 VAC.

Please read these Important Safeguards carefully before use.

- All the safety and operating instructions should be read before the product is operated.
- All warnings on the product and in the operating instructions should be adhered to.
- All operating instructions should be followed.
- Place the projector near a wall outlet where the plug can be easily unplugged.
- Unplug this product from the wall outlet before cleaning. Do not use liquid cleaners or aerosol cleaners. Use a damp cloth for cleaning.
- Do not use attachments not recommended by the product manufacturer as they may be hazardous.
- Do not use this product near water. Do not use immediately after moving from a low temperature to high

temperature, as this causes condensation, which may result in fire, electric shock, or other hazards.

- Do not place this product on an unstable cart, stand, or table. The product may fall, causing serious injury to a child or adult, and serious damage to the product. The product should be mounted according to the manufacturer's instructions, and should use a mount recommended by the manufacturer.
- When the product is used on a cart, care should be taken to avoid quick stops, excessive force, and uneven surfaces which may cause the product and cart to overturn, damaging equipment or causing possible injury to the operator.
- Slots and openings in the cabinet are provided for ventilation. These ensure reliable operation of the product and protect it from overheating. These openings must not be blocked or covered. (The openings should never be blocked by placing the product on bed, sofa, rug, or similar surface. It should not be placed in a built-in installation such as a bookcase or rack unless proper ventilation is provided and the manufacturer's instructions have been adhered to). For proper ventilation, separate the product from other equipment, which may prevent ventilation and keep a distance of more than 5-9" (150 mm).
- This product should be operated only with the type of power source indicated on the label. If you are not sure of the type of power supply to your home, consult your product dealer or local power company.
- This product is equipped with a three-wire plug. This plug will fit only into a grounded power outlet. If you are unable to insert the plug into the outlet, contact your electrician to install the proper outlet. Do not defeat the safety purpose of the grounded plug.
- Power-supply cords should be routed so that they are not likely to be walked on or pinched by items placed upon or against them. Pay particular attention to cords at doors, plugs, receptacles, and the point where they exit from the product.
- For added protection of this product during a lightning storm, or when it is left unattended and unused for long periods of time, unplug it from the wall outlet and disconnect the cable system. This will prevent damage to the product due to lightning and power line surges.
- Do not overload wall outlets, extension cords, or convenience receptacles on other equipment as this can result in a risk of fire or electric shock.
- Never push objects of any kind into this product through openings as they may touch dangerous voltage points or short out parts that could result in a fire or electric shock. Never spill liquid of any kind on the product.
- Do not attempt to service this product yourself as opening or removing covers may expose you to dangerous voltages and other hazards. Refer all service to qualified service personnel.
- Unplug this product from the wall outlet and refer service to qualified service personnel under the following conditions:
 - a) When the power supply cord or plug is damaged.
 - b) If liquid has been spilled, or objects have fallen on the product.
 - c) If the product has been exposed to rain or water.
 - d) If the product does not operate normally by following the operating instructions. Adjust only those controls that are covered by the Operation Manual, as an improper adjustment of controls may result in damage and will often require extensive work by a qualified technician to restore the product to normal operation.
 - e) If the product has been dropped or damaged in any way.
 - f) When the product exhibits a distinct change in performance - this indicates a need for service.
- When replacement parts are required, be sure the service technician has used replacement parts specified by the manufacturer or with same characteristics as the original part. Unauthorized substitutions may result in fire, electric shock, or other hazards.
- Upon completion of any service or repairs to this product, ask the service technician to perform safety checks to determine that the product is in proper operating condition.
- The product should be placed more than one foot away from heat sources such as radiators, heat registers, stoves, and other products (including amplifiers) that produce heat.
- When connecting other products such as VCR's, and personal computers, you should turn off the power of this product for protection against electric shock.
- Do not place combustible behind the cooling fan. For example, cloth, paper, matches, aerosol cans or gas lighters that present special hazards when over heated.
- Do not look into the projection lens while the illumination lamp is turned on. Exposure of your eyes to the strong light can result in impaired eyesight.
- Do not look into the inside of this unit through vents (ventilation holes), etc. Do not look at the illumination lamp directly by opening the cabinet while the illumination lamp is turned on. The illumination lamp also contains ultraviolet rays and the light is so powerful that your eyesight can be impaired.
- Do not drop, hit, or damage the light-source lamp (lamp unit) in any way. It may cause the light-source lamp to break and lead to injuries. Do not use a damaged light source lamp. If the light-source lamp is broken, ask your dealer to repair

it. Fragments from a broken light-source lamp may cause injuries.

- The light-source lamp used in this projector is a high pressure mercury lamp. Be careful when disposing of the light source lamp. If anything is unclear, please consult your dealer.
- Do not ceiling-mount the projector to a place which tends to vibrate; otherwise, the attaching fixture of the projector could be broken by the vibration, possibly causing it to fall or overturn, which could lead to personal injury.
- Use only the accessory cord designed for this product to prevent shock.
- The power supply voltage rating of this product is AC120 V, AC100 V – AC240 V, the power cord attached conforms to the following power supply voltage. Use only the power cord designated by our dealer to ensure Safety and EMC.
- When it is used by other power supply voltage, power cable must be changed.
- Ensure that the power cable used for the projector is the correct type for the AC outlet in your country. Consult your product dealer.
- **Caution:** Do not allow any unqualified person to install the unit. Be sure to ask your dealer to install the unit (e.g. attaching it to the ceiling) since special technical knowledge and skills are required for installation. If installation is performed by an unqualified person, it may cause personal injury or electrical shock.

1.3 REGIONAL SPECIFIC INFORMATION

FCC INFORMATION (USA ONLY)

Changes or modification not approved by Dreamvision could void the user's authority to operate the equipment.

Note: This equipment has been tested and found to comply with the limits for Class B digital devices, pursuant to Part 15 of the FCC Rules. These limits are designed to provide reasonable protection against harmful interference in a residential installation. This equipment generates, uses, and can radiate radio frequency energy and, if not installed and used in accordance with the instructions, may cause harmful interference to radio communications. However, there is no guarantee that interference will not occur in a particular installation. If this equipment does cause harmful interference to radio or television reception, which can be determined by turning the equipment off and on, the user is encourage to try to correct the interference by one or more of the following measures:

- Reorient or relocate the receiving antenna.
- Increase the separation between the equipment and receiver.
- Connect the equipment into an outlet on a circuit different from that to which the receiver is connected.
- Consult the dealer or an experienced radio/TV technician for help.



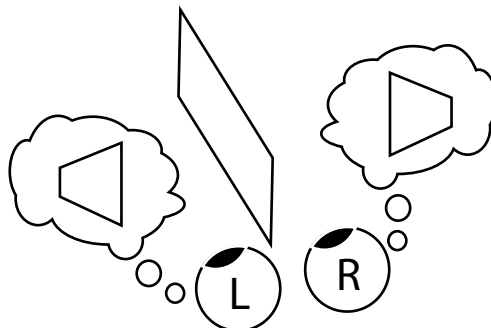
The Federal Communications Commission (FCC) is an independent United States government agency, created, directed, and empowered by Congressional statute.

The FCC was established by the Communications Act of 1934 as the successor to the Federal Radio Commission and is charged with regulating all non-Federal Government use of the radio spectrum, including radio and television broadcasting, and all interstate telecommunications like wire, satellite and cable as well as all international communications that originate or terminate in the United States. The FCC's jurisdiction covers the 50 states, the District of Columbia, and U.S. possessions.

2.0 INSTALLATION GUIDELINES

2.1 About 3D Content and 3D Projection

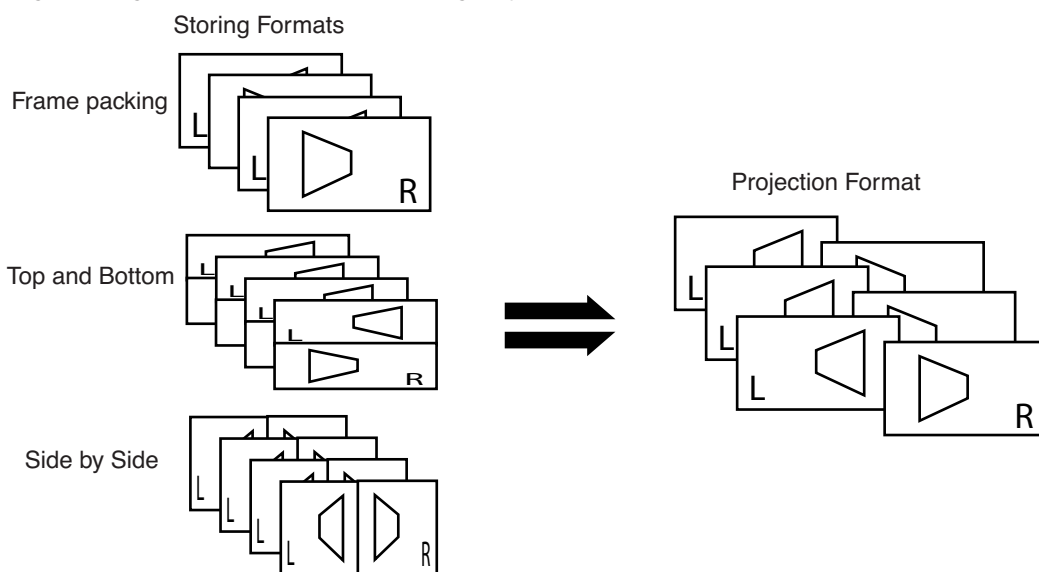
This unit is compatible with 3D playback. The source can be connected using one of the two available HDMI 1.4a inputs. The 3D effect is based on the binocular parallax which is the difference of the view on a single object when seen from the left and right eyes, respectively.



Binocular parallax

3D movies use two sets of images: one set for the left eye, the other set for the right eye. These images can be stored into three compatible formats: Frame packing, Top-&-Bottom or Side-by-Side.

The 3D scheme of this unit decodes the source and converts it into a frame sequential format for 3D projection, alternating the images produced for the left and right eye.

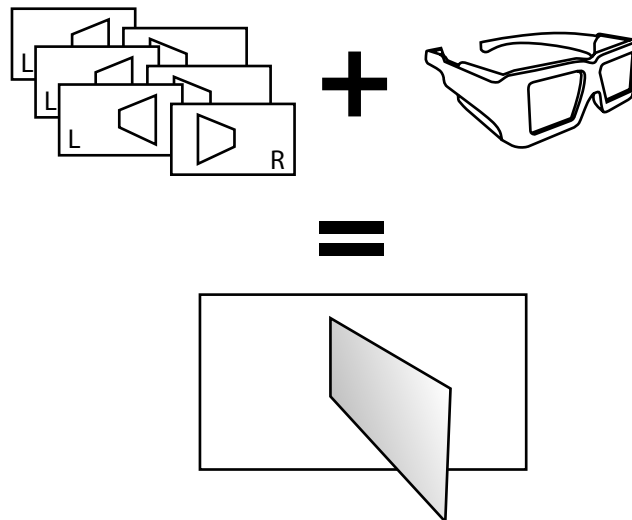


Compatible source formats and Projection format

This unit is compatible with the following 3D formats:

- 1080p @ 23.98/24Hz - Frame Packing (Blu-ray movies)
- 720p @ 50 or 59.94/60Hz - Frame Packing (gaming)
- 720p @ 50 or 59.94/60Hz - Top-Bottom
- 1080p @ 23.97/24hz - Top-Bottom
- 1080i @ 50 or 59.94/60Hz - Side-by-Side

The left and right images are produced alternatively. Therefore, the shutter glasses are used to separate the left eye images which will be only visible to the left eye, and the right eye images only visible to the right eye. The human brain then perceives stereo objects based on the visual differences between two images of the same object but taken from different angles.



The shutter glasses are used to separate the left and right image, therefore producing a 3D effect.

2.2 Comfort and Caution

The closer one looks at stereoscopic images, the greater the binocular disparity, which means greater perception of outward projection. At the same time, the spectator must focus on these outward objects on the screen. The projecting image and the real focus distance cause a great contradiction. This causes visual fatigue and discomfort. That means that the more 3D effect, the more outward effects, and the more your eyes will try to focus nearer than where the objects are actually -really- located. This strain contributes to fatigue and discomfort.



CAUTION ABOUT HEADACHES AND EYE STRAINS

Please stop watching if you do not feel well and consult a physician if necessary. People who already have a kind of photosensitivity, sufferers from heart disease, and people in poor physical condition should not watch 3D video images of this device, which makes use of 3D glasses. It is recommended that you take a break periodically.

Prevent child under 5 years old to watch 3D

The comprehensive brain function to judge stereoscopic vision which includes the feeling for real distances, develops while growing up by touching and seeing real objects, but in early childhood, it is still in an underdeveloped state. Even though there are individual differences, children under 5 are still developing. Letting them frequently watch virtual 3D video images can be an obstacle for the development of a comprehensive three-dimensional feel. For younger children may suddenly become sick, because they continue watching without realizing symptoms like 3D sickness or deterioration of health until after watching 3D images. Please accompany your child while it watches 3D programs.

2.3 3D-Synchro Emitter

In order to match the timing of the displayed video images with the timing of the opening/closing 3D glasses shutters for each eye, the projector in 3D mode sends the correct synchro data to the 3D synchro emitter.



3D GLASSES SYNCHRONIZATION

In regard to the Infrared 3D emitter model, if you experience synchro issues with Infra Red glasses in an installation where the synchro signal is bouncing from the projection screen, please direct the 3D emitter in such a way towards the seats that the infrared rays can directly reach the 3D glasses. In a few cases the synchronization may not work correctly:

- If you are near infrared communication equipment or lighting equipment.
- If the 3D-glasses do not face directly to the 3D synchro emitter

Depending on the use of 3D emitters such as Radio Frequency synchro emitter, it may be possible that its operation influences the operation of other devices using the same bandwidth.

2.4 Environment of Use

Do not use this unit in rooms with cigarette smoke or oily smoke. This may cause the unit to malfunction.

Mounting this unit to the ceiling

Check temperature around the unit. When a heater is in use, the ceiling may reach a temperature higher than anticipated, hence leading to malfunction of the unit.

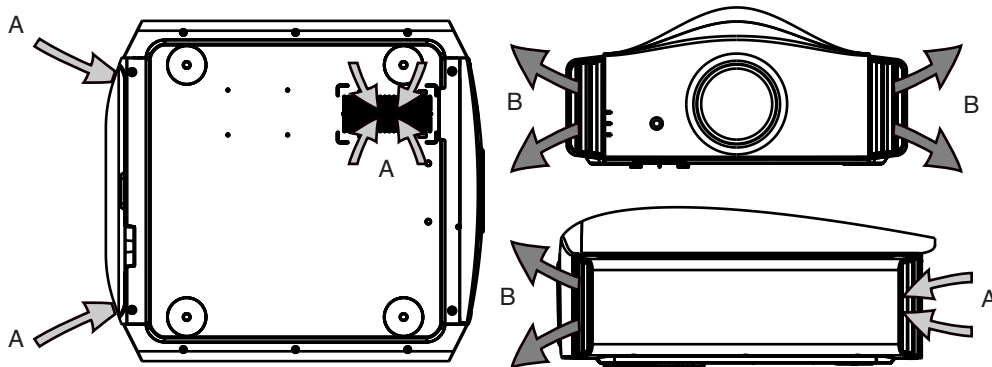
Precautions of Usage

This unit makes use of a light source lamp that may reach a high temperature during projection. Do not allow projection under the following conditions. Doing so may cause fire or malfunction of the unit.

- Projection with the unit laid on sides.
- Projection with the unit installed in an unreasonable angle. Avoid using this unit at an angle of more than 15° horizontally and 5° vertically. Doing so may cause unevenness in the color or shorten the lamp life.
- Projection at a location that blocks the air inlets or exhaust vents.
- Projection at a place exposed to air blasts from an air conditioner.

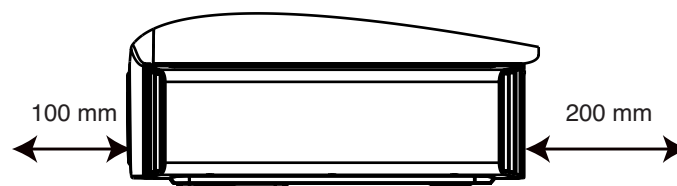
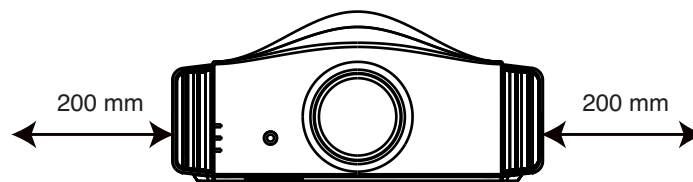
2.5 Air-Flow and Space Requirements

This unit can be installed in table, ceiling, rear table or rear ceiling position. Make sure that the unit is installed within the space requirements described below.



- A: Air inlets
- B: Air outlet

Air flow



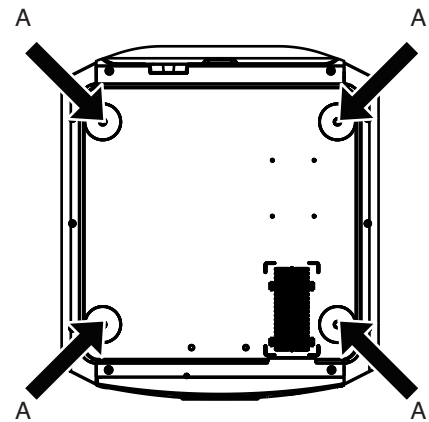
Space requirements

2.6 Ceiling Mounting the Unit

When mounting of this unit is required, make use of the 4 screw holes (M5x20 screws) at the bottom of this unit indicated by the letter A. Allow sufficient space around the air inlets to avoid blocking them.

Precautions for Ceiling-mount

- To ceiling-mount this unit, special expertise and techniques are necessary. Be sure to ask your dealer or specialist to perform mounting.
- Do not mount at places that may be subjected to vibration and shock.
- Depth of the screw holes (A) is 23 mm. Use at least 13mm long screws but not longer than 23mm as you may damage inside the projector.
- Install at a safe place in case this unit or a part of it may drop. If the light-source lamp is broken, small pieces of glass from the mesh of the filter may appear outside the unit.
- Regardless whether the unit is still under guarantee, Dreamvision is not liable for any product damage caused by mounting the unit with third party ceiling mount or when the environment is not suitable for ceiling-mount.



2.7 Projection Distance

Projection Distance

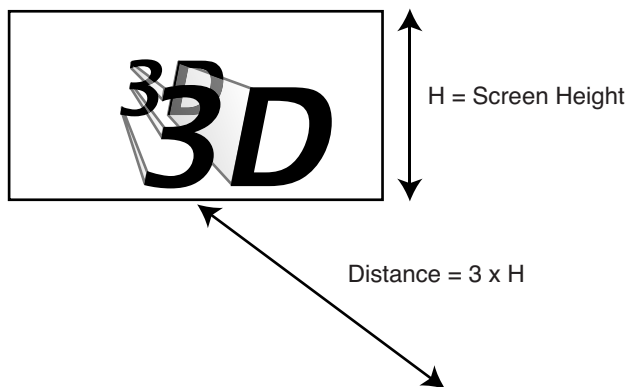
Projection Screen Size Diagonal size (Aspect Ratio 16:9)	Projection Screen Size Base size (Aspect Ratio 16:9)	Projection Screen Height (Aspect Ratio 16:9)	Inti Series
			Projecting Distance minimum - maximum
50" (1270 mm)	43,6" (1107 mm)	24,5" (623 mm)	151 cm - 305 cm
60" (1524 mm)	52,3" (1328 mm)	29,4" (747 mm)	178 cm - 366 cm
70" (1778 mm)	61,0" (1550 mm)	34,3" (872 mm)	209 cm - 428 cm
83" (2108 mm)	72,3" (1837 mm)	40,7" (1034 mm)	251 cm - 507 cm
92" (2337 mm)	80,2" (2037 mm)	45,1" (1146 mm)	279 cm - 562 cm
100" (2540 mm)	87,2" (2214 mm)	49,0" (1245 mm)	301 cm - 613 cm
110" (2794 mm)	95,9" (2435 mm)	53,9" (1370 mm)	331 cm - 675 cm
138" (3505 mm)	120,3" (3055 mm)	67,7" (1718 mm)	418 cm - 843 cm
150" (3810 mm)	130,7" (3321 mm)	73,5" (1868 mm)	453 cm - 860 cm
180" (4572 mm)	156,9" (3985 mm)	88,2" (2241 mm)	545 cm - 1107 cm
200" (5080 mm)	174,3" (4428 mm)	98,1" (2491 mm)	6060 cm - 1230 cm

- The projection screen sizes and projecting distances in the table above are provided only as a guide. Please use them as reference during installation.
- Use a projection image of 16:9 aspect ratio for setup adjustment.

Projection Distance for 3D

It is true that the perception of the 3D effect will vary according to your seat position but in a smaller scale than with real 3D objects much more like holograms. You cannot go on the side of the screen and actually see the side of the object because the subject of the picture is shot only within two angles.

When a movie is shot with a 3D camera, the director knows at witch distance the effect will be perceived and witch depth he intends to gives to the objects. It is recommended to watch from a distance three times the height of the screen to reduce the eye strains.

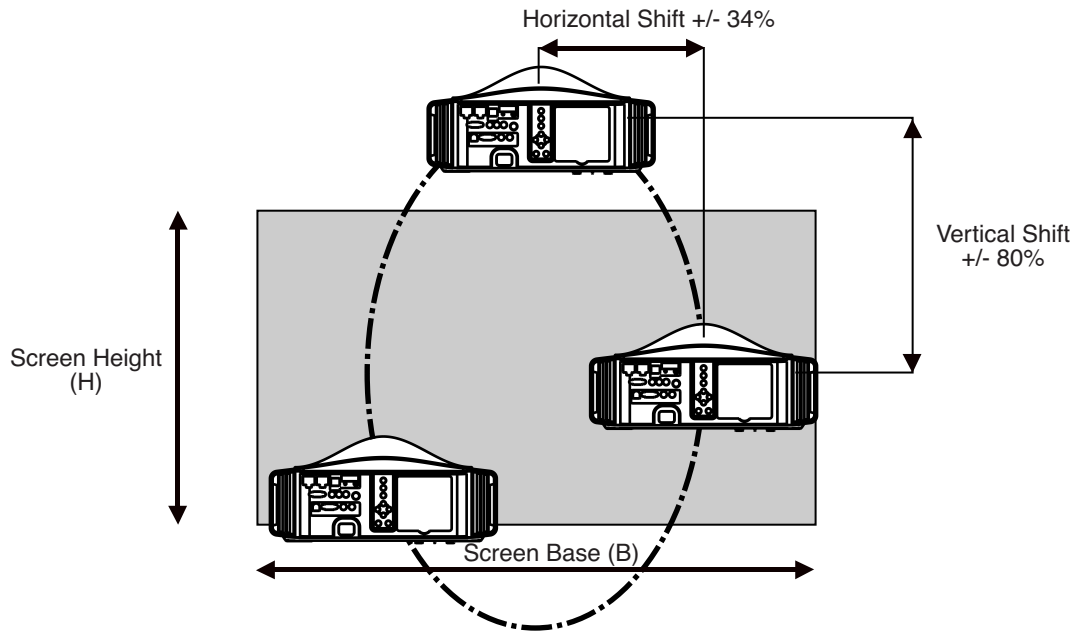


Recommended projection distance for 3D

2.8 Setting the Lens Shift

The optimum image can be obtained when the centre of this projector's lens and the screen are placed perpendicular to each other. Take note of the projection angle when placing them. You can also use up to +/- 15° up

and down position and configure trapezoidal correction.



This unit comes with a vertical and horizontal shift to suit most installations. Make sure that your installation does not exceed 80% vertical offset and 34% horizontal offset to avoid trapezoidal correction.

This unit comes with an optical shift that features vertical and horizontal adjustment of the projection screen position. Adjust the picture to your screen.

- The Vertical Shift level is between -80% and 80% of the Screen Height ($0.80 \times H$).
- The Horizontal Shift level is between -34% and 34% of the Screen Base ($0.34 \times B$).
- The shift level is set to 0% vertically and horizontally by default, that means that the optical lens is aligned with the center of the screen.
- If the projector is not installed vertically, use trapezoidal Correction to fulfill your screen.
- If you plan to use both the vertical and horizontal shifts, make sure to not exceed the values contained in the table below:

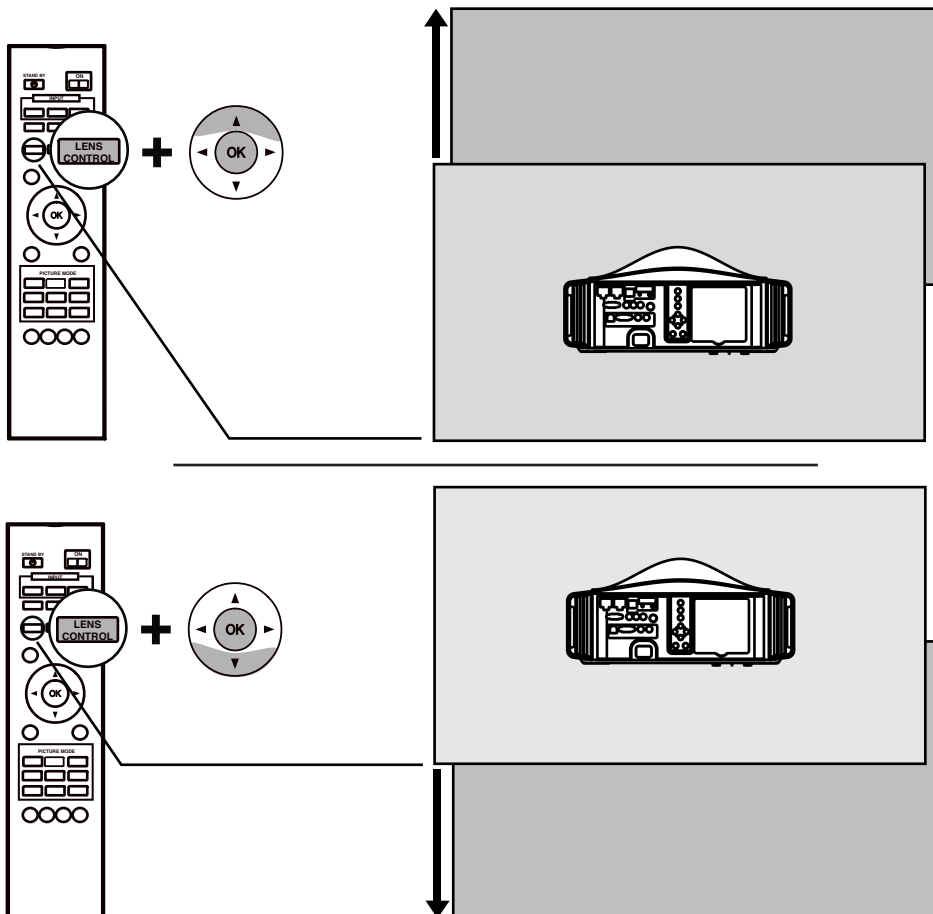
Left - Right shift	0%	5%	10%	15%	20%	25%	30%	34%
max. Up - Down shift	80%	74%	66%	57%	47%	34%	18%	0%

2.8.0.1 Adjust the picture position

The Inti Series projector has motorized vertical and horizontal shifts. Browse into the Menu to the [Lens Control] setting into the [Installation] menu, select the shift adjustment. Or use the direct access button on the Remote Control Unit [Lens Control] to make the lens control adjustment.

You can use self-generated test pattern of the projector or an external pattern, from a calibration DVD by example,

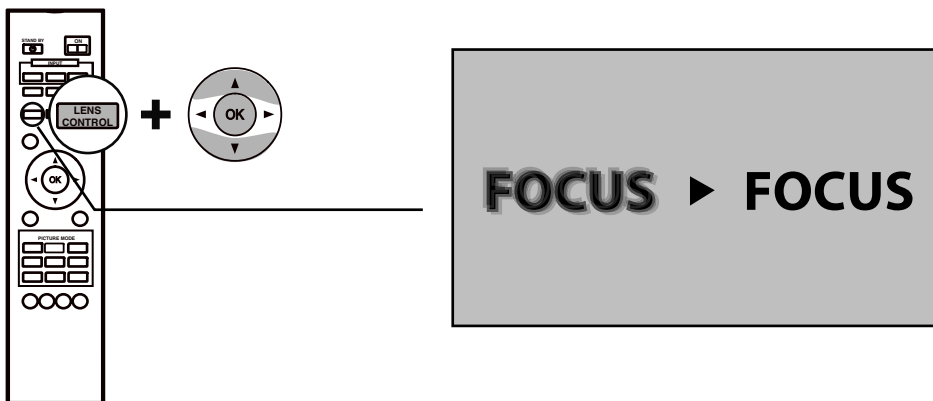
by setting the Adjust pattern option to Off.



Select the [Shift] adjustment and move the picture with the navigation buttons.

Adjust the Picture Focus

Into the [Lens Control] menu, press the [Ok] button to access the [Focus] adjustment. Use the up and down buttons to adjust the picture focus.

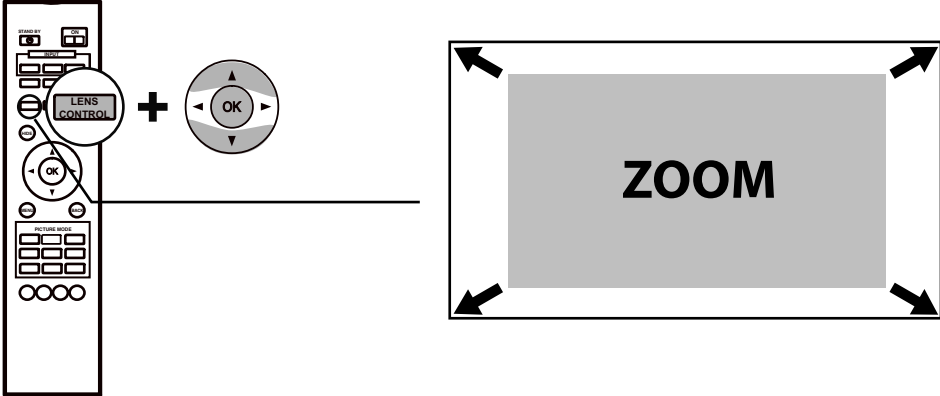


Select the [Focus] adjustment and obtain a clear picture using [Up] and [Down] buttons.

Adjust the picture Zoom

Into the [Lens Control] menu, press the [Ok] button to access the [Zoom] adjustment. Use the up and down buttons

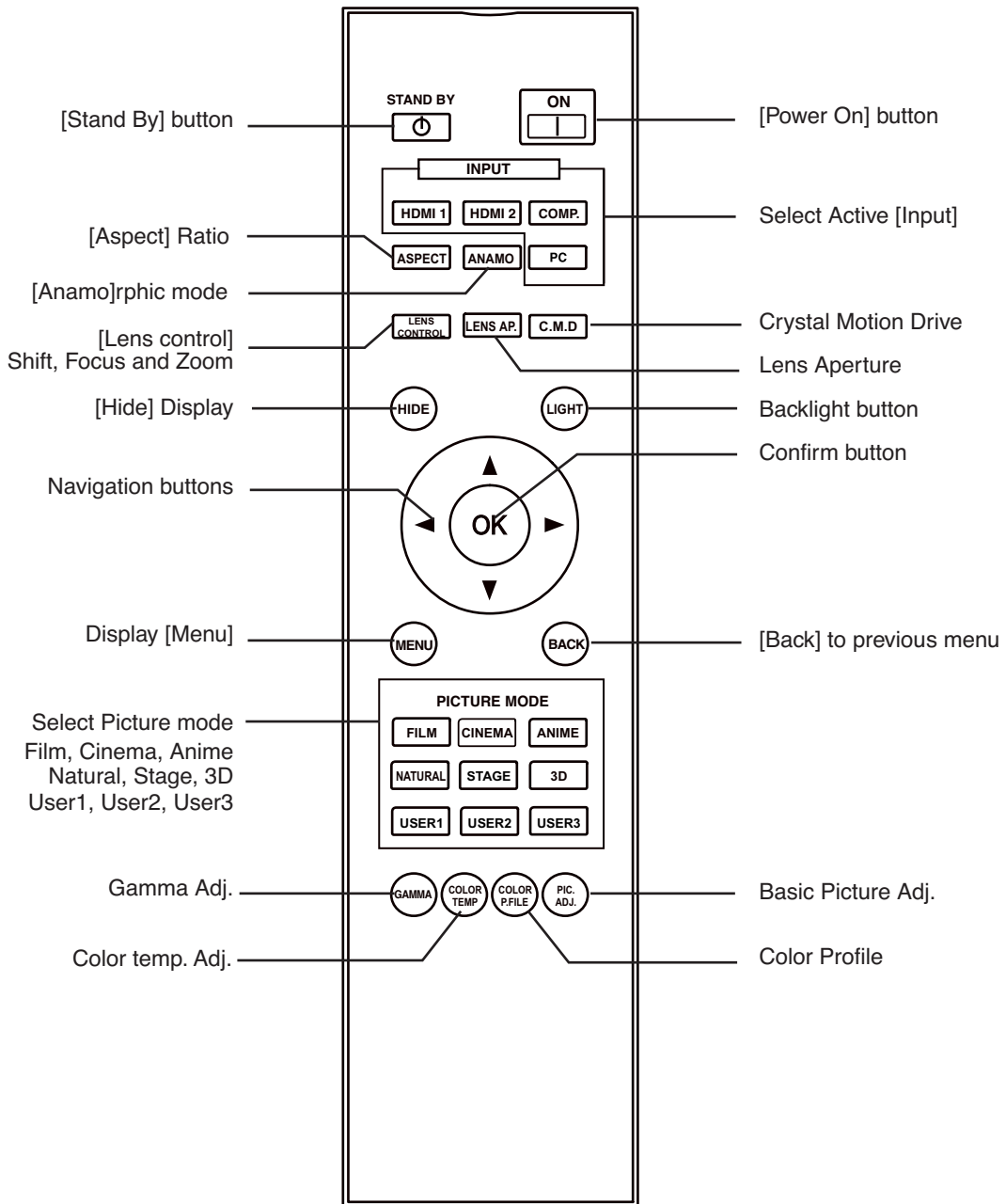
to adjust the picture size until the screen is completely filled.



Select the [Zoom] adjustment and resize the picture using [Up] and [Down] buttons.

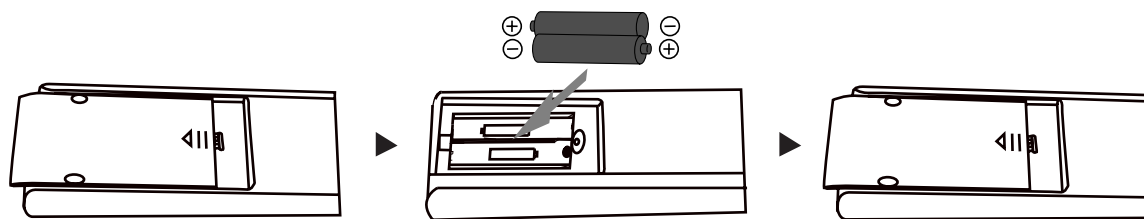
3.0 REMOTE CONTROL UNIT (RCU)

3.1 General View



3.2 Loading and replacing batteries

- Push the cover tab with the fingernail a little backwards and pull upwards the cover top. Slide the cover forward to remove.
- Push the battery body towards the spring and lift up to remove. Insert two AAA size batteries, making sure the polarities match the + and - marks inside the battery compartment.
- Insert the lower tab of the battery cover in the gap at the bottom of the remote control, and press the cover until it is firmly closed.

**CAUTION WHEN USING BATTERIES**

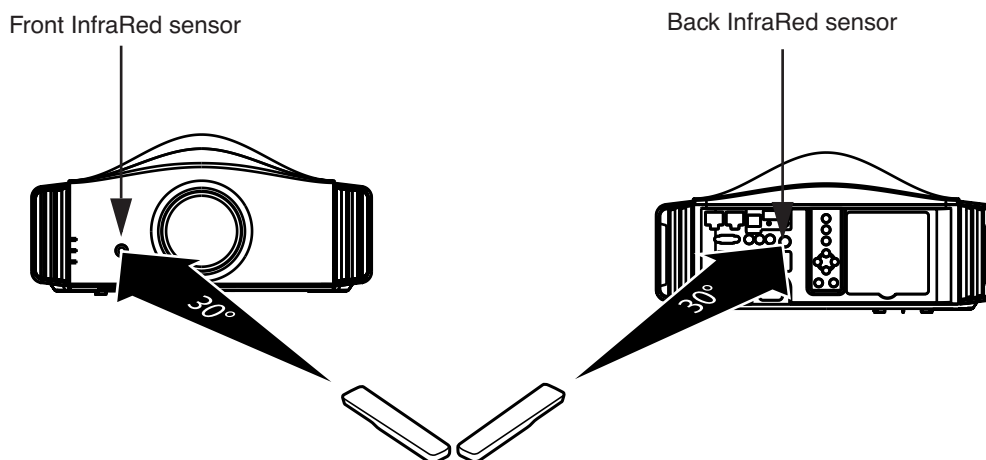
Do not mix new and old batteries. Do not mix different type of batteries as they are different in characteristics. Insert batteries according to the + and - marks on the battery case. Do not put batteries into fire or recharge them if they are not design to. Remove the batteries if the remote control is not to be used for a prolonged period. Use manganese batteries wherever possible, Do not use rechargeable batteries.

**NOTICE**

If the remote control has to be brought closer to the projector to operate, it means that the batteries are wearing out. When this happens, replace the batteries. Insert the batteries according to the + and - marks.

3.3 How to use the Remote Control Unit

The operable distance of the remote control unit is about 7m for direct reception and within 30 degree angle with respect to the sensor.

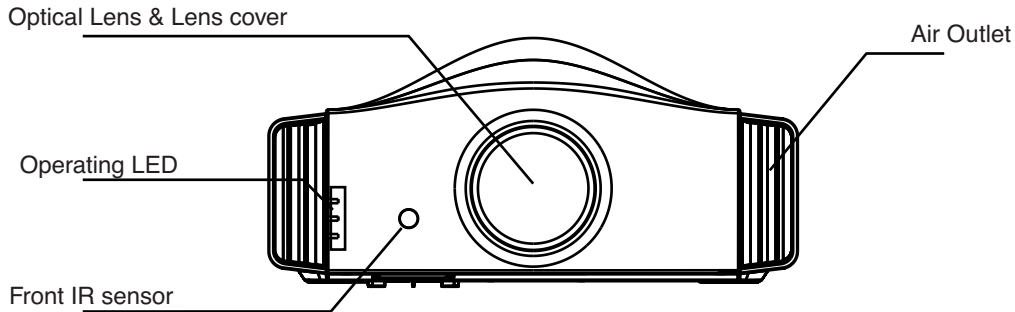


The remote control unit can be used by having the transmission signal reflected off a screen, as the effect of signals reflected from the RCU differ with the type of screen used, operable distance may decrease.

4.0 GETTING STARTED

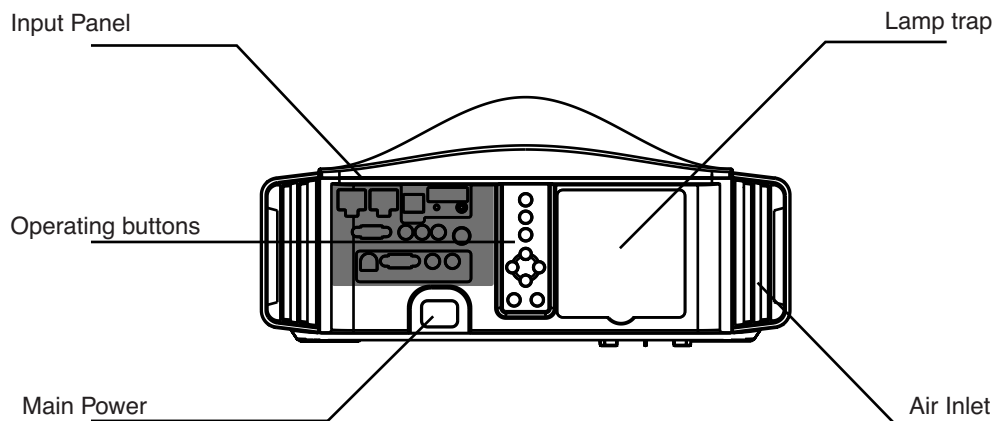
4.1 General View

Front side



- Optical Lens & Lens cover where the projection light beam is emitted.
- Operating LEDs: see section 4.3, page 20 for more details.
- Air Outlets: see “Air-Flow and Space Requirements”, page 10.

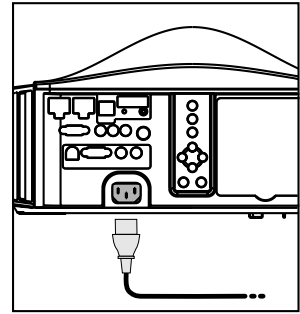
Rear side



- Input Panel: connect your video source to the correct input.
- Operating and Navigation buttons described in section 4.4, page 21.
- Main Power: connect the power cord as shown below.
- Lamp trap: see “Procedure for Lamp Replacement”, page 41 for more details about lamp replacement.
- Air Inlets: see “Air-Flow and Space Requirements”, page 10.

4.2 Connecting the Power Cord

- Before plugging in the Power Cord, ensure that all devices have been connected to their respective inputs to this unit.
- Connect the power cord to the power input terminal of the projector.



CAUTION AGAINST FIRE AND ELECTRIC SHOCK

Since the power consumption of this unit is high, insert the power plug directly into a wall outlet.

When not using devices, remove the power plug from the wall outlet.

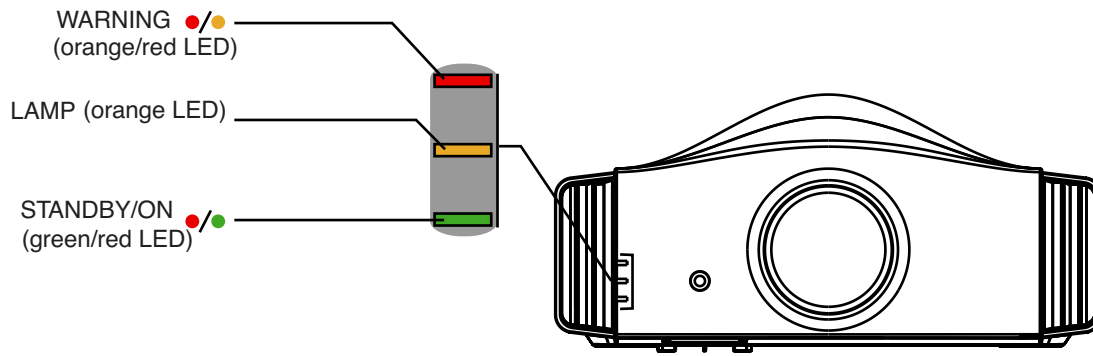
Do not use power cords for connection other than specified.

Do not use a power voltage different from that which is indicated.

Do not cut, tear or modify the power cords. Also, do not place a heavy object on, heat or stretch the power cords as this may cause damage to the cords.

Do not insert or pull plugs with a wet hand.

4.3 Operating LEDs



ID	Operating LED				Description
	STANDBY/ON (green or red)	LAMP (orange)	WARNING (orange/red)	Blinking	
1	red	-	-	-	Unit is in standby mode
2	green	-	-	-	Unit is in operate mode (during projection)
3	blinking green	-	-	Yes	Unit is in operate mode, but HIDE is ON. Press again the HIDE button to obtain a picture.
4	blinking red	-	-	Yes	Unit is in cooldown mode. (switching off)
5/6	-	orange	-	-	Lamp time has reached 2900 hours, prepare to replace the lamp before 3000 hours.



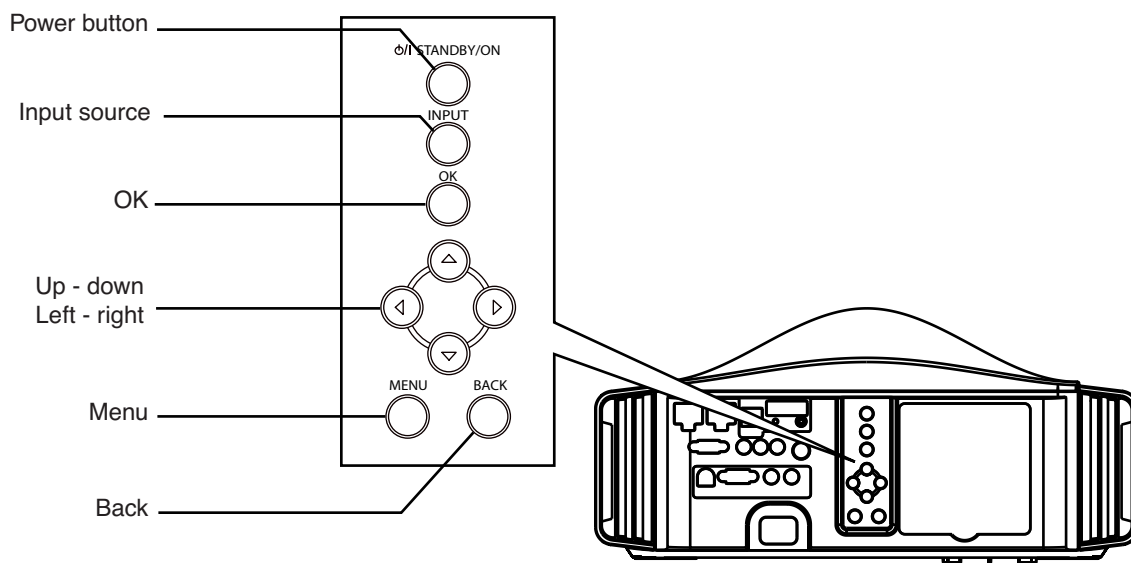
CAUTION

When in Cool Down mode, do not pull out the plug from the outlet. Also, do not block the air inlets/exhaust vents by standing the projector on its end or laying it on its side.



NB: When the projector is running for more than 1 minute, the Standby/ON LED will automatically switch OFF.

4.4 Operating and Navigation Buttons



Button	Description
Power button	To turn On or Off the projector.
Input source	To switch input source.
OK (Enter)	To select or to confirm action.
Up - down - left - right	To navigate into On Screen Display (OSD) Menu.
Menu	To display On Screen Display (OSD) Menu.
Back	To return to previous menu or cancel action.

5.0 CONNECTIONS

This unit can be connected to any compatible devices using the available connections listed below:

Inputs:

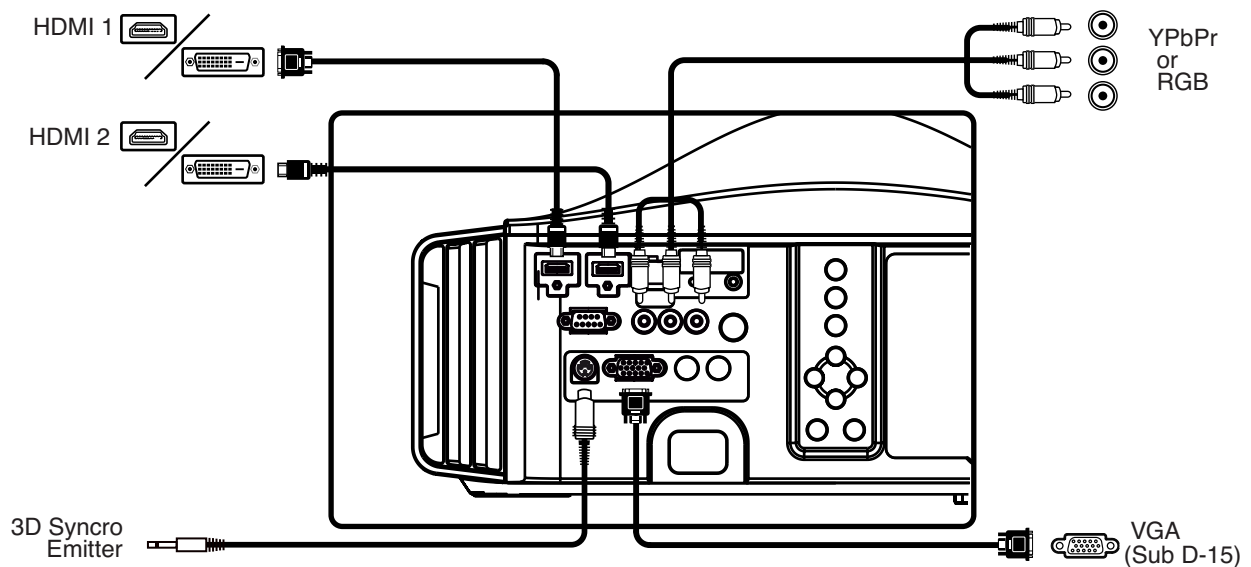
- 2x HDMI revision 1.4a with HDCP
- 1x Component (YPbPr / RGB synchro on G)
- 1x PC - VGA (sub D-15) (Inti 2 & Inti 3)
- 1x Optional Remote Terminal (Stereo mini jack)

Outputs and Automation:

- 1x 3D sync signal (3-PIN mini DIN 12V)
- 1x 12V Trigger (Stereo mini jack)
- 1x RS-232
- 1x LAN (Inti 2 & Inti 3)

The RS-232 and LAN ports can be used for automation. For audio output, connect your audio video source to an amplifier.

5.1 Connecting a Video Source to the Projector

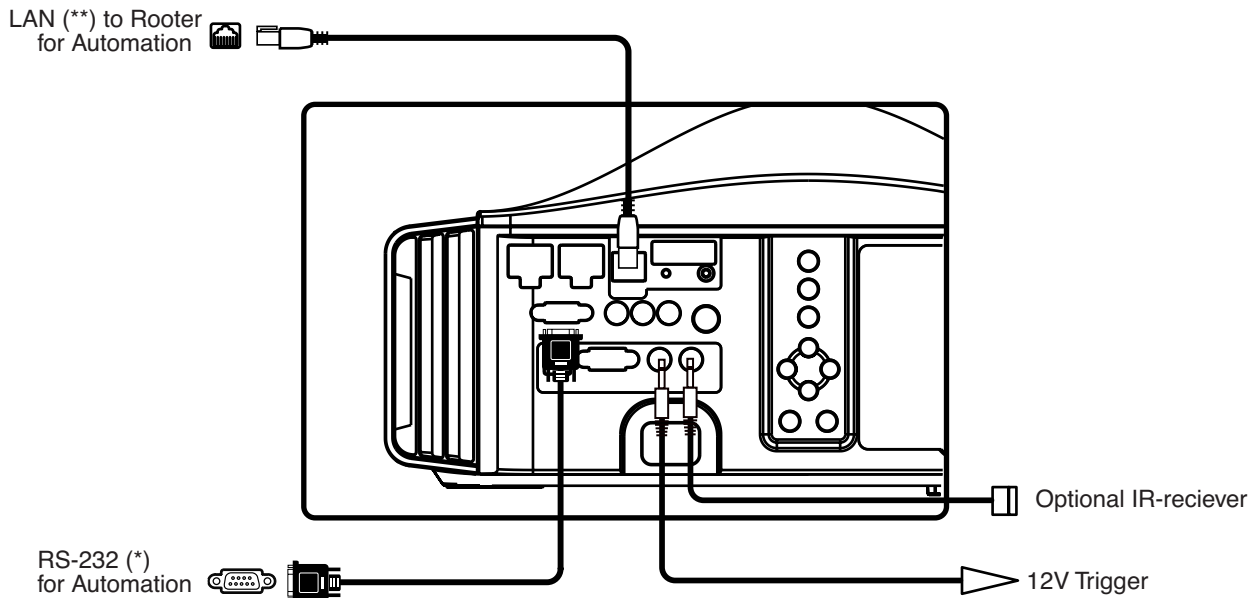


Connection	Device
HDMI1, HDMI2 v1.4a with M3 lock hole	HDMI or DVI-D sources: Blu-Ray Disc player, DVD-player with HDMI, Game Console, Computer with DVI-D output.
3D Synchro output	3d synchro emitter to control active shutter glasses. 3-PIN mini-DIN interface, 12V.
YPbPr or RGB (3x RCA)	DVD-Player, HDTV Receiver, Game Console (SD or HD), DVB-T receiver, Multimedia box, Analog Camera.
VGA (Sub D-15) (Inti 2 & Inti 3)	For Inti 2 & Inti 3: Computer (VGA output), Multimedia box .

i Make sure to use a certified HDMI cable, especially when the distance between the different devices are longer than 5 meters. If it is the case, the use of a split system or optical fiber cable is highly recommended.

For input resolution and refresh rates, check the “PC compatible signals”, page 51.

5.2 Connecting an Automation / Control device



Connection	Device
RS-232 (*)	Automation Device, Control Device or Computer with RS-232 capability.
Optional IR-receiver	Can be used to connect an external IR receiver when this unit is used in a dedicated box or in rear projection setup.
12V Trigger	DC power supply output 12V@140-300mA to control either a screen or an anamorphic slider.
LAN (**) (Inti 2 & Inti 3)	For Inti 2 & Inti 3: automation Device, Control Device or Computer with RJ-45.



(*) USING RS-232 WITH A COMPUTER

The RS-232 Control and Automation may require specific software and tools. See “RS-232 protocol”, page 44 for more details on RS-232 cabling and protocol.



(**) USING LAN WITH A COMPUTER (INTI 2 & INTI 3 ONLY)

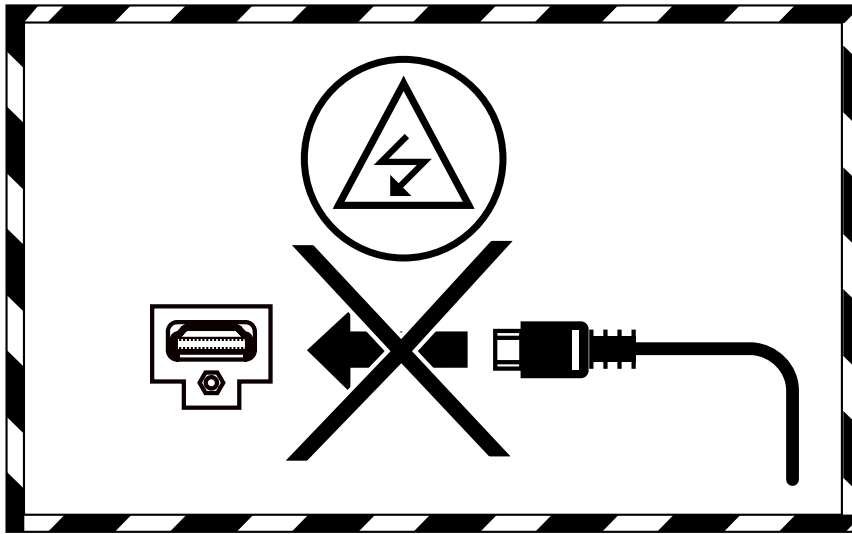
When the LAN Control is selected, the RS-232 port cannot be used for automation. In addition, the control device must send specific functions to this unit using the Local Network (this is not a web interface) See “LAN protocole (Inti 2 & Inti 3)”, page 49 for more details on the network configuration and protocol.



CONNECTING AN AUTOMATION/CONTROL DEVICE

This unit can control or be controlled by using several input/output terminals. Each terminal is ruled by specific protocols. Please refer to Appendix for more information.

5.3 Caution when connecting a device to HDMI input



CAUTION!

Prior to connecting any device to this unit, switch the projector in standby mode

Never connect a HDMI source to this unit when the projector is in operate mode. The HDMI termination is a self-powered connection and can cause electric discharges.

6.0 MENU AND PICTURE SETTING

6.1 Menu Structure

MAIN MENU	SUBMENU	AVAILABLE OPTIONS
Picture Adjust	Picture Mode	Inti 2 & Inti 3 (Movies) Film (Digital Cinema) Cinema (SF movies or anims) Animation (Video programs) Natural (Concerts) Stage 3D User1 User2 User3 (Inti One only) User3 (Inti 2 & Inti 3) THX
		(Inti 2 & Inti 3) Color Profiles available Color Profiles list varies upon current Picture Mode
		(Xenon, Eastman Kodak) Film1 (Xenon, Fujifilm) Film2 (Extended colors) Standard (DCI standard) Cinema1 (HDTV standard) Cinema2 (Hollywood anime) Anime1 (Japanese anime) Anime2 (TV, sports) Video (Games) Vivid (Computer/Adobe RGB) Adobe (Live concerts) Stage (Adapted to 3D glasses) 3D OFF
	Color Temp.	Preset value: 5500K 6000K 6500K 7000K 7500K 8000K 8500K 9000K 9500K High brightness(Inti One only) Brightness
		Xenon Modes (Inti 2 & Inti 3) (Film projector) Xenon1 (DCI projector) Xenon2 Cooler temp than X2 Xenon3 Custom Modes: Custom1 Custom2 Custom3 Custom Modes Gains/Offsets:

Picture Adjust	Gamma	If Picture mode is 3D:	Normal
		3D, bright	A (3D)
		3D, classic	B (3D)
		If Picture mode is Film:	
		(Eastman)	Film1
		(Fujifilm)	Film2
		more tone than Film1	Film3
		more contrast than Film2	Film4
		If Picture mode is not 3D:	
		focus on tone	A
		film S curve	B
		more contrast than B	C
		brighter	D
			Custom1
			Custom2
			Custom3
	Film Tone (Inti 2 & Inti 3)	available when Picture mode is Film:	
		White	-16 +16
		Red	-16 +16
		Green	-16 +16
		Blue	-16 +16
	Dark/Bright Level (Inti 2 & Inti 3)	Dark Level	-7 +7
		Bright Level	-7 +7
	Contrast		-50 +50
	Brightness		-50 +50
	Color		-50 +50
	Tint (redish to greenish)		-50 +50
	Advanced	Sharpness:	
		Sharpness	-0 +50
		Detail Enhancement	-0 +50
		Noise Reduction:	
		RNR	0 - 16
		MNR (SD only)	0 - 16
		BNR (SD only)	On, Off
		Color Space (Inti One only):	Standard
			Wide1
			Wide2
		Custom Gamma:	Custom1
			Custom2
			Custom3
		Correction value	
		Gamma Adjustment	White
			Red
			Green
			Blue
		Color Management (Inti 2 & Inti 3)	Off
			Custom1
			Custom2
			Custom3
		Pause	On/Off
		Color:	
		Axis Position	-30 +30
		Hue	-30 +30
		Saturation	-30 +30
		Brightness	-30 +30

Picture Adjust	Advanced	Clear Motion Drive:	Off	
		Black insertion weak	Mode1	
		Black insertion strong	Mode2	
		(interpolation weak)	Mode3	
		(interpolation strong)	Mode4	
		(only for 60i or 60p)	Film Motion	
		Clear Motion Drive Demo		
		Lens Aperture	-15 +0	
		Lamp Power (Inti 2 & Inti 3):	(160W) Normal (220W) High	
	Reset Profile		Confirm	
Input Signal	HDMI	Input levels	(16 - 235) Standard (0 - 255) Enhance (16 - 255) Super White	
		Check input levels	pattern	
		Color Space	Auto YCbCr(4:4:4) YCbCr(4:2:2) RGB	
		Control with HDMI (CEC)	On, Off	
		3D Format	Auto Frame Packing Side by Side Top & Bottom 2D	
		COMP.	Color Space	YCbCr RGB
		PC input (Inti 2 & Inti 3)		Auto Alignment Tracking Phase
			Picture position	Hor., Vert.
		Picture Position		Horizontal Vertical
		Aspect (Video only) if 3D, only 16:9 is available		4:3 16:9 Zoom
		Aspect (PC only)		Auto 1:1 Full
		Mask	Off 2.5% 5% Custom	Left 0% - 5% Right 0% - 5% Upper 0% - 5% Down 0% - 5%
			Progressive (480i, 576i, 1080i)	

Installation	Lens Control	Focus	
		Zoom	
		Shift	
		Slide Cover	Auto , Open
		Adjust Pattern	On, Off
		Lock	On, Off
	Pixel Adjust	horiz. Red	1 - 7
		horiz.Green	1 - 7
		horiz.Blue	1 - 7
		vert. Red	1 - 5
		vert. Green	1 - 5
		vert. Blue	1 - 5
	Installation Style		Front Ceiling Mount (Front) Rear Ceiling Mount (Rear)
	Keystone	Horizontal	-30 +30
	Vertical	-40 +40	
Anamorphic (not available with 3D)	vert. stretch:	A	
	hor. squeeze:	B Off	
Screen Adjust		00 - 99	
Black Level		0 +10	
Display Setup	Back Color		Blue, Black
	Menu Position		select position
	Menu Display		15sec, On
	Line Display (input setting)		5sec, Off
	Source Display (active input)		On, Off
	Logo		On, Off
	Language		Select between 12 languages
Function	Trigger		Off On (Power) On (Anamorphic)
	Off Timer (in hours)		1H, 2H, 3H, 4H, Off
	High Altitude Mode		On, Off
	Communication Terminal (Inti 2 & Inti 3)		RS-232C LAN
	Network	Displayed if LAN is selected	
		DHCP Client	On, Off
		IP Address	192.168.0.2
		Subnet Mask	255.255.255.0
		Default Gateway	192.168.0.254
		Mac Address	Display MAC
	Set	Display network settings	
Lamp Reset		Confirm	
Information	Input Terminal		
	Input Source name		
	PC Resolution		
	PC H Freq.		
	PC V Freq.		
	Deep Color Depth		
Lamp Time			

6.2 Picture Adjust menu

Picture Mode

The preset picture modes are available and they can be applied to any input. A picture mode retains the picture adjustments:

- Film (Inti 2 & Inti 3) setting is well suited for general movie watching.
- Cinema setting is optimized for Digital Cinema content and outputs a picture into HDTV color space. It can be manually changed to use DCI color space instead.
- Animation is best to be used with animation or vivid movies.
- Natural setting for natural hues and tones. Best for dramas and video.
- Stage setting for live concerts or stage performances.
- 3D setting is to be used dedicated settings for 3D content watched through active glasses compensation.

Additionally, you can define 2 user modes (3 user modes for Inti One only) to finely tune the projector to your video source and the ambient light.

- User1, User2 and User3 (Inti One only)

The Inti 2 & Inti 3 also have the THX setting to obtain a non over-saturated colors in a dark environment. Optimized for dark rooms.

Color Profiles (Inti 2 & Inti 3)

Inti 2 & Inti 3 have 12 Color Profile modes, depending on the picture mode, you may choose an available color profile preset:

- Standard will bring rich and saturated colors, available with almost any selected Picture Mode.
- Film1 available with Film Picture Profile, uses the Xenon filter and adjusted to Eastman Kodak film tone
- Film2 available with Film Picture Profile, uses the Xenon filter and adjusted to Fujifilm film tone.
- Cinema1 available with Cinema Picture Profile and adjusted to DCI standards
- Cinema2 available with Cinema Picture Profile and adjusted to HDTV standards.
- Anime1 best suited to Hollywood animes.
- Anime2 best suited to Japanese animes.
- Video color profile is best suited to TV and Sport programs.
- Vivid color profile is best suited to video games entertainment.
- Adobe color profile adjusted to Adobe RGB standard.
- Stage best suited to live concert.
- 3D best with 3D content.
- Off switches off the color profiles.

Color Temperature

Color temperature stands for the spectral properties of a light source. Low color temperature implies warmer ambiance (more yellow/red) while high color temperature implies a colder light (more blue). Depending on the Picture Profile selected, this setting can be set to:

- Preset: from 5500K / warm colors, up to 9500K / cold colors in steps of 500K.
- Xenon1 uses the Xenon filter and color compensation to reproduce a film projector
- Xenon2 uses the Xenon filter and color compensation to reproduce a digital projector
- Xenon3 same as Xenon2, but within a cooler temperature.
- High Bright (Inti One only) used for maximum brightness output available.
- Custom1, Custom2 and Custom3 can be used to adjust color temperature to specific environment.

A Custom setting allows a fine adjustment of a Color Temperature by selecting it in the Correction Value menu. Adjust the Gain values (bright part) and Offset values (dark part) for each color Red, Green and Blue.



Accurate color temperature may require professional tools such as dedicated software and colormeter. Wait at least 20 minutes after startup before modifying the picture settings.

Gamma

Gamma is the relationship between the color values of the data and the color values displayed. The Gamma

coefficient makes it possible to adjust the brightness of the midtones only without affecting the very bright and very dark areas. If gamma is set too high, middle tones appear too dark. If it's set too low, middle tones appear too light. Depending on the current active Picture mode, the Gamma setting can be set to:

- Normal: Standard tones
- A (3D): bright picture.
- B (3D): classic.
- Film1: Eastman gamma
- Film2: Fujifilm gamma
- Film3: more tone than Film1
- Film4: more contrast than Film2
- Gamma A: focus on tone
- Gamma B: for film and movie projection (S curve).
- Gamma C: for film and movie projection with more detailed blacks than setting B.
- Gamma D: this setting is recommended for bright midtones and Computer like projection.
- Custom1
- Custom2
- Custom3

The Custom data can be set to:

- Correction Value: a unique value that will act as a gamma coefficient between 1.8 and 2.6.
- Gamma Adjustment: the gamma curve can be adjusted for each color Red, Green and Blue.
- Copy: copy the adjusted values to temporal memory.
- Paste: paste values stored in memory to current profile.
- Reset: reset to the default 2.2 gamma coefficient.

Gamma Adjustment can be copied from all modes. Paste can only be used for Custom modes.

Film Tone (Inti 2 & Inti 3, Film Picture Profile)

It allows 32 fine adjustment steps of the global picture brightness while maintaining the correct contrast level to keep good black and bright levels. Available when Film Picture profile is selected:

- White: sets the overall exposure from -16 (under-exposed, darker) up to +16 (over-exposed, brighter)
- Red/Green/Blue: to set individually each color channel exposure.

Dark / Bright Level

This setting modifies the gamma curve locally in the dark and bright areas.

- Dark Level from -7 to +7.
- Bright Level from -7 to +7.

Contrast

The contrast function is used to adjust the contrast between the light and dark areas of the displayed image. A correct contrast setting is important for good image reproduction. Adjust the Contrast value between -50 and 50.

Brightness

The brightness function is used to adjust the overall light output. Adjust the Brightness value between -50 and 50.

Color

The Color function (or Saturation) is used to adjust the color saturation levels. Adjust the Color value between -50 and 50.

Tint

The hue function is used to adjust the color tint to obtain true color reproduction. Adjust the Tint value between -50 (more red) and 50 (more green).

Advanced

6.2.0.1 Sharpness

Sharpness: this function is used to adjust the image sharpness of the picture. Adjust the Sharpness value between 0 (soft) and 50 (sharper).

6.2.0.2 Detail Enhancement

Detail Enhancement function is used to improve the picture details to make them stand out. between 0 (soft) and 50 (strong).

6.2.0.3 Noise Reduction (SD video only)

RNR: Random Noise Reduction. You can set it from 0 up to 16 to reduce the image random noise.

MNR: Mosquito Noise Reduction function is used to reduce the Mosquito noise on the picture, generally found in compressed digital video signals such as television broadcast or encoded movies. Adjust the MNR value from 0 up to 16 to reduce the typical broadcast picture mosquito noise

BNR: Block Noise Reduction uses a large portion of the picture to reduce the digital noise, this ensures a higher quality filter. Adjust the BNR value to On or Off.

6.2.0.4 CTI (SD video only)

Color Transition Improvement. Set it to Off, Low, Middle or High to reduce the color smear (color contour correction). Caution: this function may alter the original picture chrominance.

6.2.0.5 Color Space (Inti One only)

Standard: Digital Cinema Initiatives (DCI) color space.

Wide1: wider color gamut than standard. Color space used for HDTV.

Wde2: same color space as DCI but within a wider color gamut

6.2.0.6 Color Management (TSL adjustments) (Inti 2 & Inti 3)

The Color Management gives the installer an unique calibration ease with the integrated Color Adjustment menu: each primary, secondary colors and orange can be independently calibrated to obtain a precise color balance in a snap.

Adjust the Red, Green, Blue, Yellow, Cyan, Magenta and Orange Tints, Saturations and Luminances and store them into Custom1, Custom2 or Custom3 profiles.

6.2.0.7 Crystal Motion Drive (120Hz)

The Crystal Motion function uses a 120Hz video processing to render a smooth and clear motion for movies shot at 24Hz or HD movies at 60Hz. Set the correct level between:

Mode1: weak black frame insertion

Mode2: strong black frame insertion

Mode3: weak interpolation

Mode4: strong interpolation

Film Motion: inverse telecine interpolation

Additionally, you can set the Clear Motion Demo side-by-side or top-and-bottom.

6.2.0.8 Lens Aperture

The lens is equipped with a variable electronic aperture. This function is used to optically adjust the light output depending on the viewing conditions and the light ambiance. Adjust from the correct aperture from partially closed to fully opened.

6.2.0.9 Lamp Power (Inti 2 & Inti 3)

Set the lamp power used by the current Picture Profile:

Normal: lamp is set to 160W

High: lamp is set to 220W.

To avoid any damage to the lamp, you can't changed the lamp power within 90 seconds from the projector startup or 60 seconds after lamp power change.

Reset

Reset the current Picture Profile to default settings.

6.3 Input Signal menu**HDMI Inputs**

This menu is available if the selected active input is HDMI1 or HDMI2.

6.3.0.1 Input

Auto: The input dynamic range is automatically detected and configured.

Standard: Force dynamic range to 16-235.

Enhance: Force dynamic range to 0-255.

Super White: Force dynamic range to 16-255.

6.3.0.2 Check Input Levels

The following pattern is overlaid to current picture to confirm that the correct input level has been selected.

0	235
255	16

Use the Input Levels pattern to confirm the correct HDMI dynamic range setting.

6.3.0.3 Color Space

Auto: The source color space is automatically detected and configured.

YCbCr(4:4:4): Set color space to YCbCr 4:4:4.

YCbCr(4:2:2): Set color space to YCbCr 4:2:2.

RGB: Set color space to RGB 4:4:4.

6.3.0.4 Control with HDMI (CEC)

Off: By default the CEC communications are disabled.

On: Enables CEC communications to be sent to the projector through HDMI cable.

CEC: Consumer Electronic Control

6.3.0.5 3D Format

By switching this parameter from the default [Auto] setting, this unit will decode any source on HDMI inputs as a 3D input signal:

Auto: auto selection mode

Frame Packing: decode as frame packing method.

Side by Side: decode as side by side method.

Top & Bottom: decode as top and bottom method.

2D: disable 3D projection.

Component

This menu is available if the selected active input is Component.

- Y Pb/Cb Pr/Cr: Select this option if the COMP. input is connected to a component video signal.
- RGB: Select this option if the COMP. input is used with a RGB video source.

PC (Inti 2 & Inti 3)

This menu is available if the selected active input is PC (Sub-D15) input.

- Auto Alignment: Automatically adjusts Tracking, Phase and Picture Position
- Tracking: Adjust the horizontal size and display area of the picture.
- Phase: Adjust flickering and blurred pictures.
- Picture Position: Adjust the display position of the picture.

Picture Position

Depending on your source, you may find that the picture should be adjusted into the screen, adjust the horizontal and vertical position of the picture into the screen.

Some signals may not be fully displayed, adjust this setting properly when necessary.

Aspect Ratio

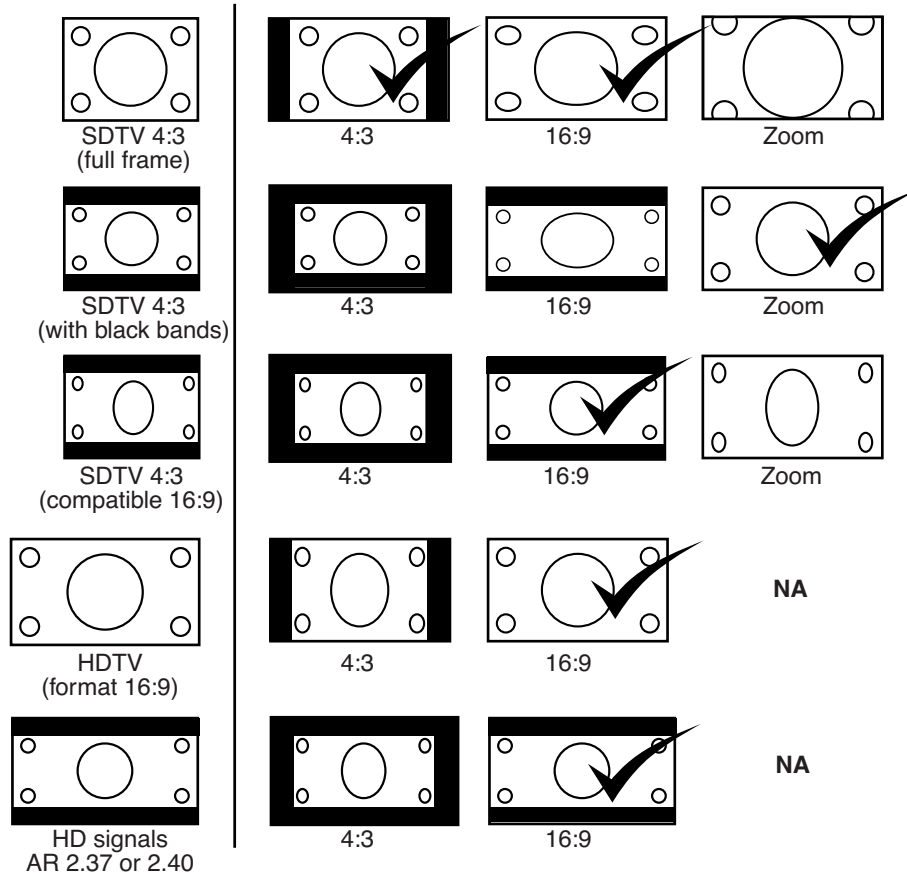
When watching a movie or video program, you can manually set the desired aspect ratio to fill your screen. Select the correct aspect ratio depending on your source:

6.3.0.1 For Video sources

- 4:3. The original source is considered as 4:3 format. Generally SDTV broadcasts and entertainments.
- 16:9. The picture size is 16:9, generally most recent DVDs, Blu-Ray discs and HDTV broadcasts.
- Zoom. The zoom function is useful to zoom in the picture and eliminate black bars.

VIDEO SOURCE

ASPECT RATIO



Aspect Ratio applied to different source formats.



When watching 3D content, only 16:9 aspect ratio is available.

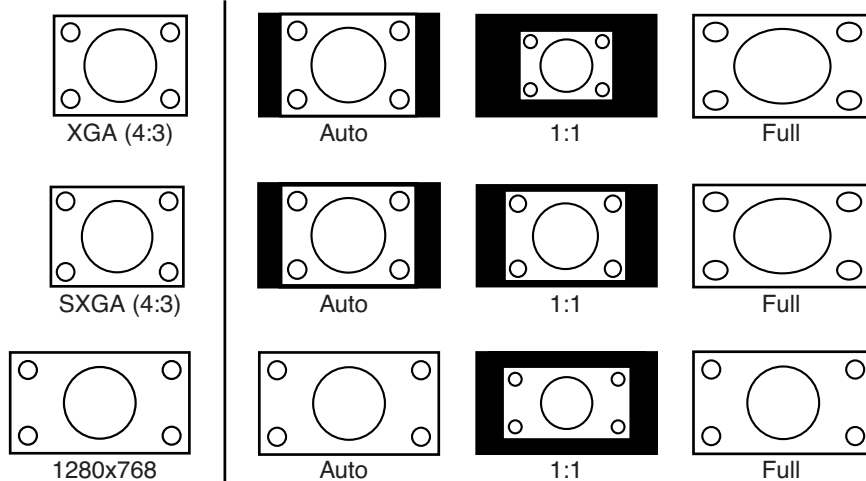
6.3.0.2 For PC sources

- Auto. Zoom the picture to fill either the screen height or the screen base which ever happens first.
- 1:1 mode, pixel to pixel mapping, no scaling.
- Full. Stretch the picture full screen.

Sub-D15 or HDMI

SOURCE

ASPECT RATIO



Aspect Ratio applied to PC-signals.

Mask

Depending on your source, you may enable or disable this feature to hide the outer area of the picture. The Mask function can hide the unexpected scaling artefacts found in broadcast program. You can set it to Off, 2.5% or 5% globally or for each side of the screen.

Progressive (only 480i, 576i, 1080i)

Interlaced signals are converted to progressive signals using video images from the surrounding. This function is only available for interlaced input signals: 480i, 576i and 1080i.

6.4 Installation Menu

Lens Control

This menu gives access to the control of the lens. Browse into this menu to adjust:

6.4.0.1 Focus

Adjust the lens focus to obtain a clear picture.

6.4.0.2 Zoom

Adjust the lens zoom to fill the screen with the picture.

6.4.0.3 Shift

Adjust lens shift to center the picture into the screen.

6.4.0.4 Image Pattern

If set to On, an internal pattern will be generated to adjust the current setting. If you want to use an external generator, turn this option to Off.

6.4.0.5 Lock

Once the Lens is correctly set, you may lock this setting menu by turning the Lens control Lock to On. Any attempt to access the Lens control menu will lead to the display of a warning message.

Pixel Adjust

This menu allows a fine adjustment of the red, green and blue panels alignment. Horizontal adjustment moves the selected color to the right, vertical adjustment moves it up.

- Horizontal Red (1 to 7)
- Horizontal Green (1 to 7)
- Horizontal Blue (1 to 7)
- Vertical Red (1 to 5)
- Vertical Green (1 to 5)
- Vertical Blue (1 to 5)

Installation Style

Flip the image to the left or right, up or down according to the projection state of the projector:
Front, Ceiling Mount (F), Rear or Rear Ceiling mount (R)

Keystone

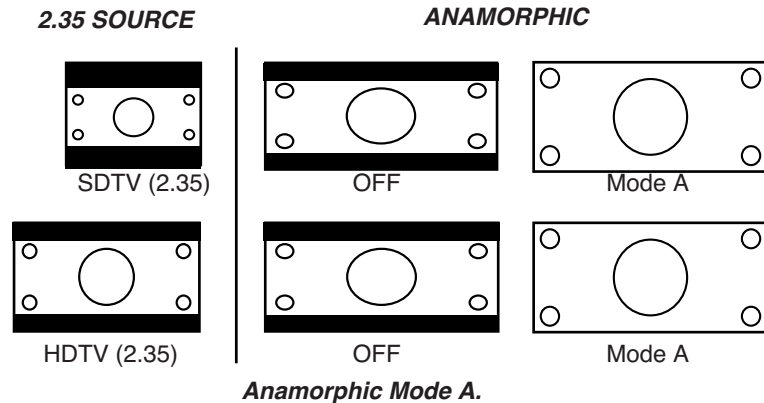
Compensate for trapezoidal distortion caused by installation. Independently to the screen orientation, make sure that the projector is not tilt more than 5% left/right and 15% up/down.

- Vertical Keystone from -30 to +30.
- Horizontal Keystone from -40 to +40.

Anamorphic (not available with 3D sources)

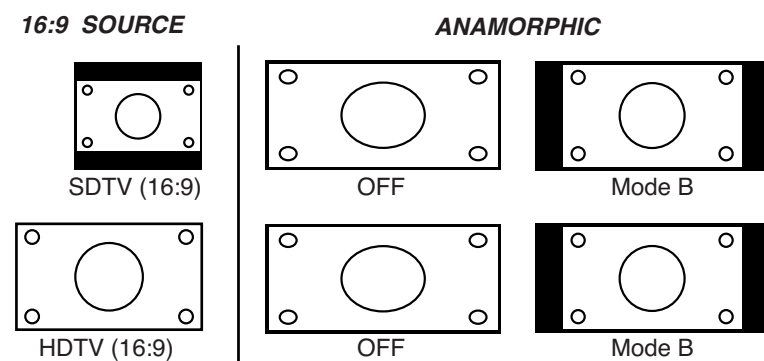
- Off: No modification to original picture.
- ModeA: The picture is vertically stretched to fit an installation with anamorphic lens. A cinemascope picture is

stretched to completely fill the 16:9 panels without black bands, using the optimum resolution and brightness.



Anamorphic Mode A.

- ModeB: This setting squeezes horizontally the picture to fit a 16:9 image into cinemascope screen. This setting is to be used with an anamorphic installation where the lens is permanently fixed in front of the unit and to watch 16:9 content in its original format.



Anamorphic Mode B.

Screen Adjust

This setting corrects the color balance derived from the reflective characteristics of the screen without altering the global picture settings. You may select:

Inti One only:

- Off: no modification.
- Mode A: slightly reddish.
- Mode B: slightly greenish.
- Mode C: slightly bluish.

Inti 2 & Inti 3:

- 0 to 95: select the best compensation profile depending on your screen and environment.
- 96 - 99: select a profile between 95 and 99 when watching 3D content with 3D shutter glasses. Profile 99 is recommended when using Dreamvision's glasses.

Black Level

Sets the black level when used indoors from 0 to 10.

6.5 Display Setup Menu

Back Color

Configures the screen color displayed when there is no active input. Set to Blue or Black.

Menu Position

Upper left, Upper right, Center, Lower right, Lower left.

Menu Display

15sec: Display menu for 15 seconds before fade out.
On: Always display menu.

Line Display

5sec: Display the input settings for 5 seconds after input selection.
Off: Don't display.

Source Display

On: Display the source of the input signals after input selection.
Off: Don't display.

Logo

On: Display logo during startup for 5 seconds.
Off: Don't display.

Language

Choose the OSD language between: English, Japanese, German, Spanish, Italian, French, Portuguese, Dutch, Swedish, Norwegian, Russian and Chinese.

6.6 Function Menu

Trigger

The 12V trigger output can be used to control any compatible devices such as motorized screens or anamorphic kits: The 12V trigger output is 12Vcc, 100mA. Select the trigger output behavior:

- Off: 12V trigger voltage state is always low.
- On (Power): 12V trigger state is high when the projector is powered ON.
- On (Anamo): 12V trigger is high only when Anamorphic Mode A or Mode B is engaged. To be used with anamorphic kits or motorized screens.

Off-Timer

You can configure this automatic power Off function that will switch off the projector when there is no operation or after a determined timer. Choose the duration of the timer between: Off, 1 hour, 2 hours, 3 hours and 4 hours.

High Altitude Mode

Select this when the projector is in a location of low atmospheric pressure. On or Off.

Communication Terminal (Inti 2 & Inti 3)

Sets on which input is connected the control device. It is not possible to use it at the same time both RS-232C and LAN inputs. Settings: RS-232C, LAN.

Network (Inti 2 & Inti 3)

When the Communication Terminal selected is LAN, this unit will be visible on the local Network and the following parameters need to be configured. See "LAN protocols (Inti 2 & Inti 3)", page 49 for more details.

Lamp Reset

Resets the lamp use time to "0" during the lamp replacement procedure. See "Replacing the Lamp", page 41 for more details.

6.7 Information Menu

Input Source

Displays the active video input.

Source

Displays the type of the current video input signal. If PC input is selected, this item cannot be displayed.

Resolution

If the active input is PC input., its resolution is displayed.

H. Frequency

In the case of PC signal, the horizontal frequency is displayed.

V. Frequency

In the case of PC signal, the vertical frequency is displayed.

Deep Color

Display the bit depth (color depth) of the video signals input from the HDMI terminals. Deep Color is not displayed for YCbCr 4:2:2 signals.

Lamp Time

Displays the accumulated hours of usage of the lamp.

6.8 Expert Calibration (Inti 2 & Inti 3)

Expert Calibration is accessed only by using a programmable IR-RCU, RS-232C or LAN control. Two pairs of Picture Mode can be activated. Each pair of profiles, similar to Custom1 and Custom2 Picture Modes have to be calibrated. Once done, these profiles are stored and displayed in the picture mode menu list but will not be modifiable. See "Available Operating commands", page 45 for more details.

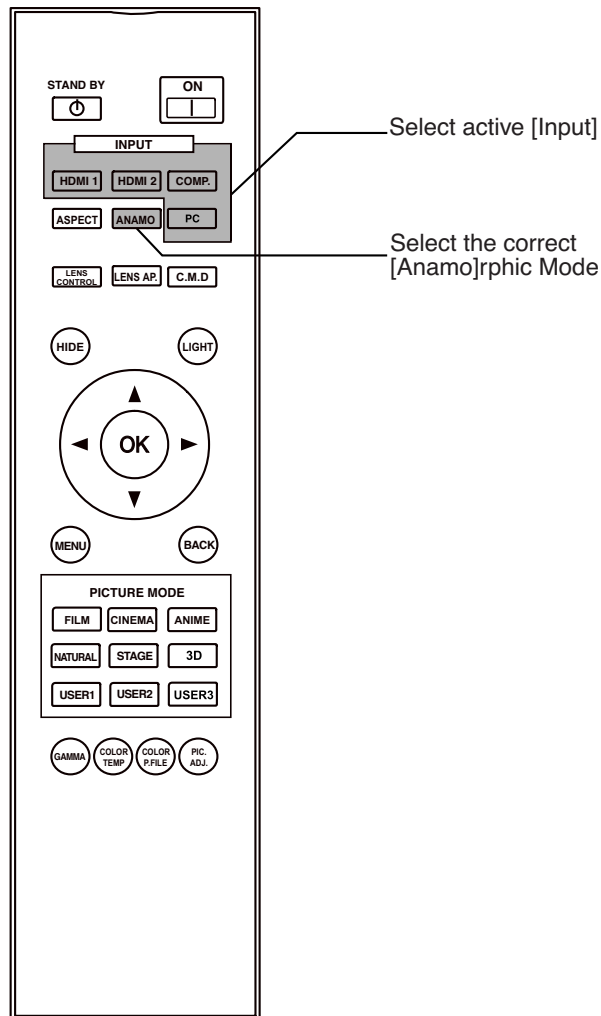
7.0 ANAMORPHIC LENS

7.1 Optional 2.35 CineWide and 2.35 THEATRE System (for Inti)

The Inti Series centralizes the controls and automation commands for both the 2.35 CineWide and the 2.35 THEATRE System (for Inti) for a unique, versatile and unexpectedly simple to operate 2.35:1 theatre experience using an anamorphic Lens.

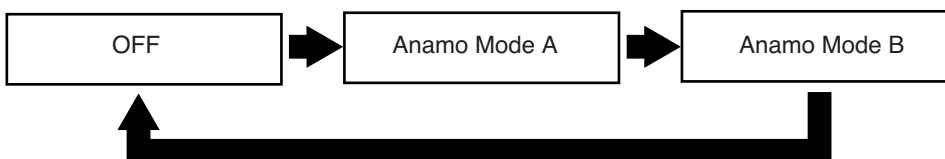
- Integrated Constant Image Width (CIW) scaler for 2D content.
- Dedicated commands to control the lens position or picture size on a 2.35:1 screen.

7.2 Using the Remote Control Unit.



RCU and quick access to anamorphic features

[Anamo]rphic modes



When you press sequentially the [Anamo]rphic button, you change the mode from OFF, Mode A and Mode B.

7.3 2.35 CineWide

Video source is 16:9: set [Anamo]rphic to Mode B

When you select a 16:9 input with a permanent anamorphic lens, choose the anamorphic mode B to obtain a geometrically correct picture in your screen.

- Select Mode B for this input into the menu “Installation ⇒ Anamorphic ⇒ Mode B”.

Video source is Cinemascope: set [Anamo]rphic to Mode A

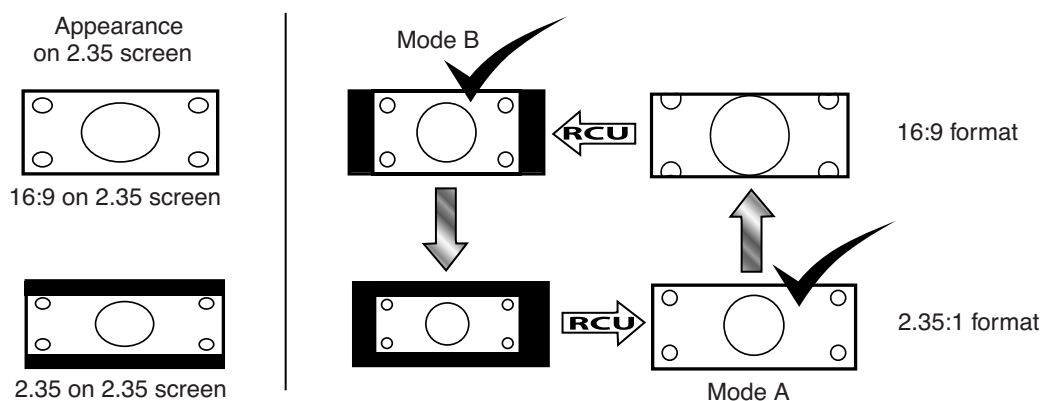
When selecting a widescreen input (2.35:1, 2.37:1 or 2.40:1), the original aspect ratio of the source is larger than 16:9, you can see black bars on the top and the bottom of the screen.

- Select Mode A for this input into the menu “Installation ⇒ Anamorphic ⇒ Mode A”.

Quick [Anamo]rphic mode change on the same input

To obtain the correct aspect ratios, choose Mode A for widescreen movies (format 2.35:1) and Mode B for HDTV (native format 16:9).

You can also use the Remote Control Unit by pressing the [Anamo] button to switch between these two modes.

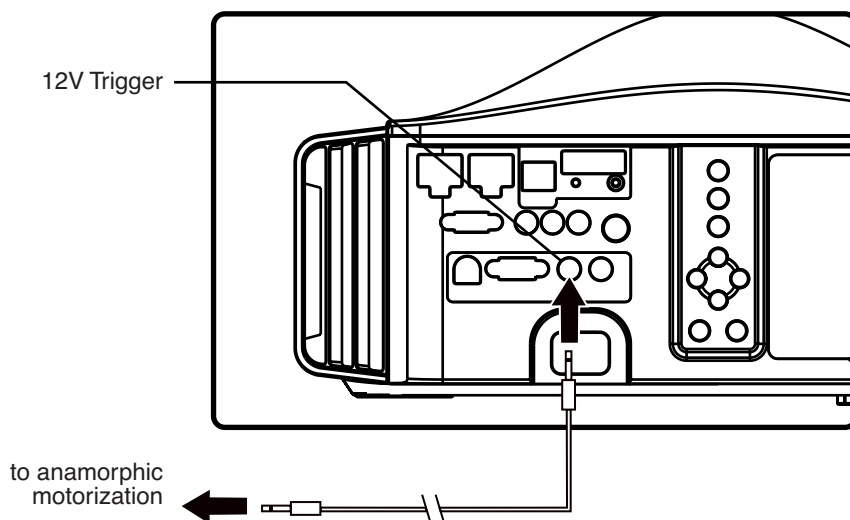


➡ When the source automatically switches format...

➡ **RCU** ... press [Anamo] button to obtain the correct anamorphic mode.

7.4 2.35 THEATRE System (for Inti)

Plug the 12V Trigger output of the projector to the Anamorphic motorization



Connect the 2.35 THEATRE System (for Inti) to the 12V Trigger output

Configure into Function “Menu ⇒ Trigger ⇒ On (Anamo)”

The “Function ⇒ Trigger” menu determines the 12V Trigger output located in the panel input at the rear of this unit. This is a global parameter (for all inputs):

- Off: the 12V Trigger is always switched Off.
- On (Power): the 12V Trigger is switched On when the projector is running, Off if the projector is in standby Mode.
- On (Anamo): the Trigger is Off when the anamorphic lens is not needed. It switches to On when the picture is vertically stretched and when the lens is needed.

Set 12V Trigger to: “Function ⇒ Trigger ⇒ On (Anamo)”.

Video source is 16:9: set [Anamo]rphic to Off

When you select a 16:9 input choose the anamorphic OFF to obtain move the anamorphic lens out. Menu “Installation ⇒ Anamorphic ⇒ Off”

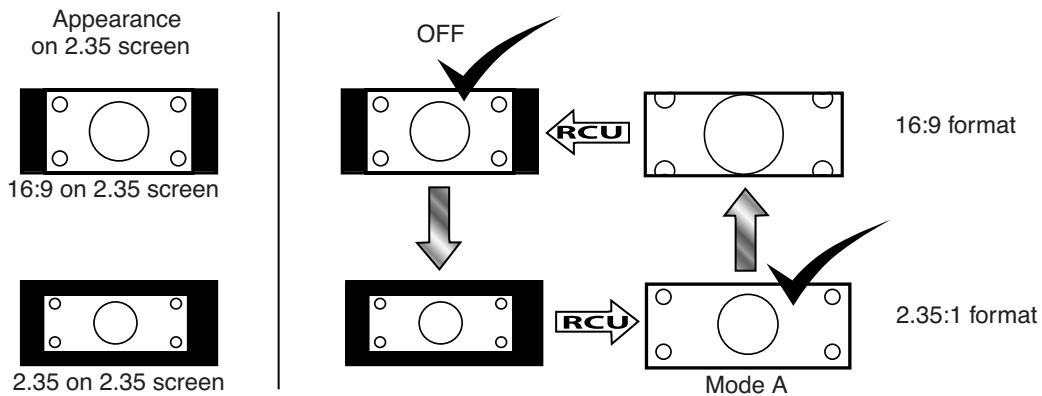
Video source is Cinemascope: set [Anamo]rphic to Mode A


When selecting a widescreen input (2.35:1, 2.37:1 or 2.40:1), the original aspect ratio of the source is larger than 16:9, you can see black bars on the top and the bottom of the screen.


- Select Anamorphic mode A for this input in the menu Input “Installation ⇒ Anamorphic ⇒ Mode A”.
- The Anamorphic Lens is automatically placed in front of the projector to restore the correct picture aspect ratio.

Quick [Anamo]rphic mode change on the same input

If the Trigger setting is set to On (Anamo), the 2.35 THEATRE System (for Inti) is automatically operated when selecting the correct anamorphic mode.



 When the source automatically switches format...

 ... press [Anamo] button to obtain the correct anamorphic mode.

8.0 MAINTENANCE

8.1 Clean Dirt on the Cabinet

Always use a soft cloth. In case of heavy soiling, soak a cloth in neutral detergent diluted with water, wring dry and wipe, followed by wiping again using a dry cloth.

Caution

Pay attention to the following as the cabinet may deteriorate in condition, get damaged or paint may come off.

- Do not wipe with a stiff cloth.
- Do not wipe with force.
- Do not wipe with thinner or benzene.
- Do not spray volatile chemicals like insecticide.
- Do not allow prolonged contact with rubber or plastic products.

8.2 Dirt on the Lens

The lens shall be cleaned using commercial blowers or lens cleaning papers (for cleaning glasses and cameras). Do not use fluid-type cleaning agents. This may lead to peeling of the surface coating film. The lens surface is fragile. Avoid rubbing it hard or knocking.

8.3 Replacing the Lamp

Light-source Lamp and Lamp Usage Time

The life of light-source lamps used for this unit is about 3000 hours.

- The lamp life of 3000 hours is merely the average life span of light-source lamps and we do not provide any guarantee for this figure. The lamp life may not reach 3000 hours depending on the operating conditions. Deterioration progresses rapidly when the remaining lamp usage time is short. Get ready or replace with a new lamp when the accumulated usage time exceeds 2900 hours. Depending on the operating conditions, the lamp may have to be exchanged earlier. If the image is dark or color tone abnormal, replace the lamp as soon as possible.
- You can also check the accumulated hours of usage. Please refer to Lamp Time in the Information menu.

When the lamp usage time reaches 2900 hours

The Lamp replacement message will be displayed on the screen the next three projection starts.

- Press the [BACK] button to clear the display.



ABOUT LAMP REPLACEMENT

If this unit is installed in a constricted place, attempting to replace the lamp in that place may cause injury. Move this unit to a place large enough to perform work.

Use only genuine replacement parts for the lamp unit. Otherwise, malfunction may occur. Also, never attempt to reuse an old lamp unit. This may cause marked performance deterioration or lamp blowout, thus leading to unit malfunction. Broken pieces of the lamp outside this unit may also cause injuries during lamp unit exchange.

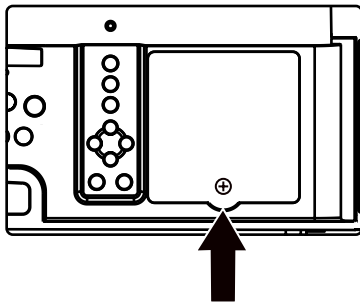
Do not replace the lamp immediately after this unit has been used. The temperature of the lamp is still high and this may cause a burn. Allow a cooling period of 1 hour or more before replacement.

Before replacing the lamp unit, pull out the power plug from the outlet and wait until the STANDBY/ON led is still light red. Replacing a lamp with the plug connected to the outlet may cause injuries or electric shocks.

Procedure for Lamp Replacement

During the lamp replacement process, you may have access to sensitive parts of the projector.

- Loosen the screw on the lamp trap at the rear of this unit.



- Open the lamp Cover and loosen the 2 screws on the lamp unit to release it.
- Pull out the lamp unit using the handle.
- Insert the new lamp unit until it is firmly in place.
- Tighten the screws of the lamp unit.
- Attach the lamp cover and fasten the lamp trap screw.

Resetting Lamp Time

After installing a new lamp, reset the lamp time using the OSD menu.

- Turn On the unit.
- Browse into the menu Function => Reset Lamp Time.
- Confirm time reset.

Alternative method in standby mode, using the remote control.

- Plug this unit to Main power.
- When the projector is in standby mode (red STANDBY/ON led), use the remote control and press sequentially the [BACK] - [OK] - [HIDE] within 1 second interval then [DOWN] for at least 2 seconds.
- The sequence is successful if the STANDBY/ON and LAMP leds blink alternately for 3 seconds.



CAUTION DURING RESET WORK

Reset the lamp time only when you have replaced the lamp.

Never reset it when the lamp is still in use. Otherwise, the approximate standard for gauging replacement time may be inaccurate, lamp performance may deteriorate and lamp blowout may occur.

8.4 Cleaning and Replacing the Dust Filters

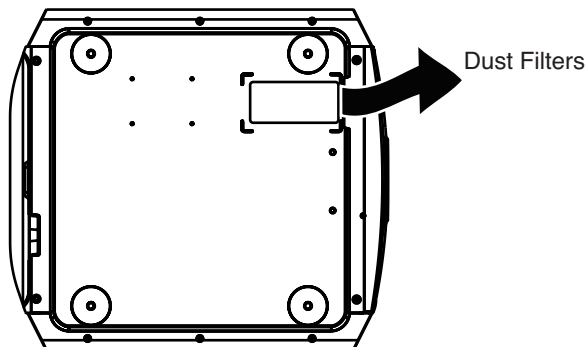
The filters must be cleaned regularly to allow an efficient air intake. Otherwise, dirt may enter the unit and appear on the screen, preventing you from enjoying the video fully. If dirt has entered the unit or if you need information about the filter, please consult your authorized dealer. A filter cleaning warning appears every 500 hours.

Cleaning procedure

Pull out the power plug from the outlet while the projector is in standby mode.

Push up and lift the claw of the filters, pull out the filters.

Clean the filters with water and dry them, avoiding direct sunlight. In extremely soiled cases, use of a neutral detergent is recommended. Insert the filters in their original positions and make sure that the claws are firmly inserted.



Clean the Dust Filters every 500 hours.

8.5 Troubleshooting

Warning Messages Led

ID#	Operating LED				Description
	STANDBY / ON	LAMP orange LED	WARNING red LED	Blinking	
1	red	-	-	-	Unit is in standby mode
2	green	-	-	-	Unit is in operate mode (during projection)
3	blinking green	-	-	Yes	Unit is in operate mode, but HIDE is ON. Press again on HIDE button to obtain a picture.
4	blinking red	-	-	Yes	Unit is in cooldown mode. (switching off)
5/6	-	orange	-	-	Lamp time has reached 2900 hours and/or prepare to replace the lamp before 3000 hours.
7	-	blinking orange	continuous red	1 time	The lamp failed to ignite, restart the projector after a complete cooldown cycle.
8				2 times	Lamp has shut down during projection, restart the projector after a complete cooldown cycle.
9				3 times	Lamp cover is open. Check that the lamp cover is firmly closed and restart the projector.
10	-	-	blinking orange	1 time	Power Supply failed.
11				2 times	Cooling fans stop.
12				3 times	Internal thermal sensor detects overheating.
13				4 times	External thermal sensor detects overheating.
14	-	blinking orange	blinking red	1 time	Startup or drive circuits failed
15				2 times	Communication with drive circuit failed.
16				3 times	Scaler circuit failed
17				4 times	Electrical lens cover failure.



ABOUT WARNINGS AND COOL-DOWN MODE

After projection or when a warning occurred (cases 7-16), the unit will go through a 1 minute cool-down process known as the Cool Down mode. This function is to prevent lamp breakage and shortened lamp life but also damage to the internal components of the projector.

The Cool Down mode is indicated by the blinking red STANDBY/ON led. When in Cool Down mode, the projector cannot be turned ON.

After the Cool Down process is completed, the unit will automatically switch to the Standby mode indicated by a red STANDBY/ON led.



CAUTION

When in Cool Down mode, do not pull out the plug from the outlet. Also, do not block the air inlets/exhaust vents by standing the projector on its end or laying it on its side.

9.0 MISCELLANEOUS

9.1 RS-232 protocol

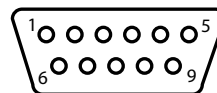
Serial communication specifications

Control of this unit is possible using a computer or automation device connected with a RS-232 cross cable (female - female D-sub 9 pins cable) or LAN/ RJ-45 cable. Communication specifications for this unit are as follows:

Baud Rate	19200 bps
Data Format	Binary
Mode	Non-Synchronous
Character Length	8 bits
Parity	None
Start Bit	1 bit set to high
Stop Bit	1 bit set to low
X on/off	None
Flow Control	None

RS-232 pin assignation

Pin	Signal	Function	Signal Direction
2	RxD	receive data	PC -> Projector
3	TxD	transmit data	Projector-> PC
5	GND	ground	-
1,4,6-9	N/C	-	-



Command Format

When sending a command to this unit, use the following data format:

Header	Unit ID	Command	Data	EoD
1 byte	89h 01h	2 bytes	at least 1 byte	0Ah

Header
 (21h): Operating command. PC -> Projector
 (3Fh): Reference command. PC -> Projector
 (40h): Response command. Projector -> PC
 (06h): ACK. Projector -> PC

Unit ID Fixed to (89 h 01h)

Command 2 bytes. See the list of the available commands below.
 If Command code is "52h 43h", the Data sent may also be sent to the projector by a programmable RCU using NEC 5 protocole.

Data 1 byte. See the list of the available data for each command below.

EoD Fixed to (0Ah)

Available Operating commands

Header (21h)	Command	Data	Description
Connection RS-232	00h 00h	none	Check the serial connection
Power ON	50h 57h	31h	If the projector is in stand-by mode, this command switch the unit ON.
Power OFF	50h 57h	30h	If the projector is powered ON, this command switches this unit into Stand-by Mode.
Switch Input	49h 50h	32h	Switch active input to Component
		33h	Switch active input to VGA
		36h	Switch active input to HDMI 1
		37h	Switch active input to HDMI 2
		2Bh	Switch to next input
		2Dh	Switch to previous input
Test Pattern	54h 53h	30h	Test Patterns Off
		31h	Colour bars
		36h	Stair Step (black & white)
		37h	Stair Step (red)
		38h	Stair Step (green)
		39h	Stair Step (blue)
Gamma	47h 54h	30h	Set Gamma to Normal
		31h	Set Gamma to A
		32h	Set Gamma to B
		33h	Set Gamma to C
		34h	Set Gamma to Custom1
		35h	Set Gamma to Custom2
		36h	Set Gamma to Custom3
		37h	Set Gamma to D
Gamma Value (Gamma set to Custom1-3)	47h 50h	30h	Set value to 1.8
		31h	Set value to 1.9
		32h	Set value to 2.0
		33h	Set value to 2.1
		34h	Set value to 2.2
		35h	Set value to 2.3
		36h	Set value to 2.4
		37h	Set value to 2.5
38h	Set value to 2.6		

RCU Commands and sending them through RS-232

Header (21h)	Command	Data	Description
Power ON	52h 43h	37h 33h 30h 35h	Switch the unit ON
Power OFF	52h 43h	37h 33h 30h 36h	Switch this unit into Stand-by mode
Switch input	52h 43h	37h 33h 30h 38h	Switch to next input
		37h 33h 34h 36h	Switch active input to VGA
		37h 33h 34h 44h	Switch active input to Component
		37h 33h 37h 30h	Switch active input to HDMI 1
		37h 33h 37h 31h	Switch active input to HDMI 2
Keypad	52h 43h	37h 33h 30h 31h	UP
		37h 33h 30h 32h	DOWN
		37h 33h 30h 33h	BACK
		37h 33h 32h 45h	MENU
		37h 33h 32h 46h	OK
		37h 33h 33h 34h	RIGHT
		37h 33h 33h 36h	LEFT

Hide Display	52h 43h	37h 33h 31h 44h	Toggle Hide ON/OFF
		37h 33h 44h 30h	Switch Hide to ON
		37h 33h 44h 31h	Switch Hide to OFF
OSD Position	52h 43h	37h 33h 34h 32h	Toggle the OSD position.
Test Pattern	52h 43h	37h 33h 35h 39h	Switch Test Patterns
Picture Mode	52h 43h	37h 33h 36h 36h	Animation Mode
		37h 33h 36h 37h	Stage
		37h 33h 36h 38h	Cinema Mode
		37h 33h 36h 39h	Film Mode
		37h 33h 36h 41h	Natural
		37h 33h 36h 42h	Dynamic
		37h 33h 38h 37h	3D
		37h 33h 36h 43h	User 1
		37h 33h 36h 44h	User 2
		37h 33h 36h 45h	User 3
37h 33h 36h 46h	THX		
Picture Adjust	52h 43h	37h 33h 37h 32h	Toggle Picture Adj. menu
Gamma	52h 43h	37h 33h 37h 35h	Toggle Gamma function menu
		37h 33h 33h 38h	Set Gamma to Normal
		37h 33h 33h 39h	Set Gamma to A
		37h 33h 33h 41h	Set Gamma to B
		37h 33h 33h 42h	Set Gamma to C
		37h 33h 33h 43h	Set Gamma to Custom1
		37h 33h 33h 44h	Set Gamma to Custom2
		37h 33h 33h 45h	Set Gamma to Custom3
37h 33h 33h 46h	Set Gamma to D		
Color Temperature	52h 43h	37h 33h 37h 36h	Toggle Color temperature
		37h 33h 34h 45h	Set Color Temperature to 5800K
		37h 33h 34h 46h	Set Color Temperature to 6500K
		37h 33h 35h 30h	Set Color Temperature to 7500K
		37h 33h 35h 31h	Set Color Temperature to 9300K
		37h 33h 35h 32h	Set Color Temperature to High Bright
		37h 33h 35h 33h	Set Color Temperature to Custom1
		37h 33h 35h 34h	Set Color Temperature to Custom2
37h 33h 35h 35h	Set Color Temperature to Custom3		
Color Management	52h 43h	37h 33h 36h 30h	Set Color Management to Off
		37h 33h 36h 31h	Set Color Management to Custom1
		37h 33h 36h 32h	Set Color Management to Custom2
		37h 33h 36h 33h	Set Color Management to Custom3
Expert Calibration (THX)	52h 43h	37h 33h 43h 36h	Switch to Adjust mode
		37h 33h 43h 37h	THX plus - Off
		37h 33h 43h 38h	THX plus - On
		37h 33h 38h 35h	Switch Picture Mode to THX - Bright
		37h 33h 38h 36h	Switch Picture Mode to THX - Dark
Expert Calibration (ISF)	52h 43h	37h 33h 35h 38h	Switch to Adjust Mode.
		37h 33h 35h 41h	ISF - Off
		37h 33h 35h 42h	ISF - On
		37h 33h 36h 34h	Switch Picture Mode to ISF - Day
		37h 33h 36h 35h	Switch Picture Mode to ISF - Night
Contrast	52h 43h	37h 33h 37h 38h	Contrast +
		37h 33h 37h 39h	Contrast -
Brightness	52h 43h	37h 33h 37h 41h	Brightness +
		37h 33h 37h 42h	Brightness -
Color	52h 43h	37h 33h 37h 43h	Color +
		37h 33h 37h 44h	Color -

Tint	52h 43h	37h 33h 39h 38h	Tint +
		37h 33h 39h 39h	Tint -
Sharpness	52h 43h	37h 33h 37h 45h	Sharpness +
		37h 33h 37h 46h	Sharpness -
Detail Enhancement	52h 43h	37h 33h 31h 31h	Detail +
		37h 33h 31h 32h	Detail -
CTI Color Transient Imp	52h 43h	37h 33h 35h 43h	CTI - OFF
		37h 33h 35h 44h	CTI- Low
		37h 33h 35h 45h	CTI - Middle
		37h 33h 35h 46h	CTI - High
Mosquito Noise Reduc	52h 43h	37h 33h 30h 44h	MNR +
		37h 33h 30h 45h	MNR -
Block Noise Reduc	52h 43h	37h 33h 31h 30h	BNR switch to OFF
		37h 33h 30h 46h	BNR switch to ON
Random Noise Reduc	52h 43h	37h 33h 30h 42h	RNR +
		37h 33h 30h 43h	RNR -
Clear Motion Drive	52h 43h	37h 33h 34h 37h	CMD switch to OFF
		37h 33h 38h 41h	Toggle CMD Mode
		37h 33h 43h 45h	CMD switch to Mode1
		37h 33h 43h 46h	CMD switch to Mode2
		37h 33h 34h 38h	CMD switch to Mode3
		37h 33h 34h 39h	CMD switch to Mode4
		37h 33h 34h 41h	CMD switch to Inverse Telecine
HDMI CEC	52h 43h	37h 33h 35h 36h	CEC switch to ON
		37h 33h 35h 37h	CEC switch to OFF
HDMI 3D modes	49h 53h	33h 44h 31h	3D mode set to Auto
		33h 44h 32h	3D mode set to frame packing
		33h 44h 33h	3D mode set to Side by Side
		33h 44h 34h	3D mode set to Top and Bottom
		33h 44h 30h	3D mode is disable (force 2D mode)
Aspect Ratio	52h 43h	37h 33h 37h 37h	Toggle Aspect Ratio.
		37h 33h 32h 35h	Set Aspect Ratio to 4:3
		37h 33h 32h 36h	Set Aspect Ratio to 16:9
		37h 33h 32h 37h	Set Aspect Ratio to Zoom.
		37h 33h 41h 45h	(PC) Auto
		37h 33h 42h 30h	(PC) Full
		37h 33h 41h 46h	(PC) Just
Anamorphic Modes	52h 43h	37h 33h 32h 34h	Turn OFF the Anamorphic mode
		37h 33h 32h 33h	Anamorphic set to Mode A
		37h 33h 32h 42h	Anamorphic set to Mode B
		37h 33h 43h 35h	Cycle Anamorphic Mode through OFF/A/B

Lens Control

Header (21h)	Command	Data	Description
Lens Menu	52h 43h	37h 33h 33h 30h	Lens Menu: Toggle the Lens Menu
Lens Shift Up	52h 43h	37h 33h 32h 31h	Shift the picture upward using lens shift
Lens Shift Down	52h 43h	37h 33h 32h 32h	Shift the picture downward using lens shift
Lens Shift Right	52h 43h	37h 33h 34h 33h	Shift the picture to the right using lens shift
Lens Shift Left	52h 43h	37h 33h 34h 34h	Shift the picture to the left using the lens shift
Lens Focus +	52h 43h	37h 33h 33h 31h	Focus far
Lens Focus -	52h 43h	37h 33h 33h 32h	Focus near
Lens Zoom T	52h 43h	37h 33h 33h 35h	Zoom Tele
Lens Zoom W	52h 43h	37h 33h 33h 37h	Zoom Wide

Lens Aperture	52h 43h	37h 33h 32h 30h	Toggle the Lens Aperture setting menu
		37h 33h 32h 38h	Set Lens Aperture to setting "1"
		37h 33h 32h 39h	Set Lens Aperture to settign "2"
		37h 33h 32h 40h	Set Lens Aperture to setting "3"
Lens Aperture +	52h 43h	37h 33h 31h 45h	Increase the Lens Aperture value
Lens Aperture -	52h 43h	37h 33h 31h 46h	Decrease the Lens Aperture value
Lens Cover	52h 43h	37h 33h 32h 44h	Unsynchronizes Lens Cover with HIDE function
		37h 33h 32h 43h	Synchronises Lens Cover with HIDE function
		37h 33h 31h 41h	Open Lens Cover
		37h 33h 31h 39h	Close Lens Cover
Keystone	52h 43h	37h 33h 31h 42h	Vertical Keystone +
		37h 33h 31h 43h	Vertical Keystone -
		37h 33h 34h 30h	Horizontal Keystone +
		37h 33h 34h 31h	Horizontal Keystone -

Examples

You want to...	Command to send
Check the connection	send: 21h 89h 01h 00h 00h 0Ah receive: 06h 89h 01h 00h 00h 0A
Switch the projector ON	send: 21h 89h 01h 50h 57h 31h 0Ah receive: 06h 89h 01h 50h 57h 0Ah
Switch the projector OFF	send: 21h 89h 01h 50h 57h 30h 0Ah receive: 06h 89h 01h 50h 57h 0Ah
Switch the projector OFF with OSD confirmation	send: 21h 89h 01h 52h 43h 37h 33h 30h 36h 0Ah receive: 06h 89h 01h 52h 43h 0Ah
Change Active Input to Comp.	send: 21h 89h 01h 49h 50h 32h 0Ah or send: 21h 89h 01h 52h 43h 37h 33h 34h 44h 0Ah
Display On Screen Menu	send: 21h 89h 01h 52h 43h 37h 33h 32h 45h 0Ah receive: 06h 89h 01h 52h 43h 0Ah

Available Reference and Response commands

A reference command ask the projector about its status. The projector send back an ACK command together with a Response command.

Header	Command	Description	Response Data
Power status (header 3Fh)	50h 57h	Check the Power status.	30h: Standby
			31h: Power On
			32h: Cool Down
			34h: Warning
Active Input (header 3Fh)	49h 50h	Check which input is active.	30h: S-video
			31h: Video
			32h: Component
			33h: VGA
			36h: HDMI 1
			37h: HDMI 2
Gamma Table (header 3Fh)	47h 54h	Check the current Gamma table	30h: Normal
			31h: A
			32h: B
			33h: C
			34h: Custom1
			35h: Custom2
			36h: Custom3

Gamma Value (header 3Fh)	47h 50h	Check the current Gamma value	30h: 1.8
			31h: 1.9
			32h: 2.0
			33h: 2.1
			34h: 2.2
			35h: 2.3
			36h: 2.4
			37h: 2.5
			38h: 2.6

Examples

You want to...	Command to send
Check if the projector is switched ON	send: 3Fh 89h 01h 50h 57h 0Ah receive: 06h 89h 01h 50h 57h 0Ah (confirm cmd) receive: 40h 89h 01h 50h 57h 31h 0Ah (projector is ON)
Which input is active	send: 3Fh 89h 01h 49h 50h 0Ah receive: 06h 89h 01h 49h 50h 0Ah (confirm cmd) receive: 40h 89h 01h 49h 50h 36h 0Ah (HDMI 1 is active)

9.2 LAN protocole (Inti 2 & Inti 3)

LAN / RJ-45 communication specification

To set the projector to LAN Control Mode, go to the Function menu, then set the Communication Terminal from RS-232C (default) to LAN.

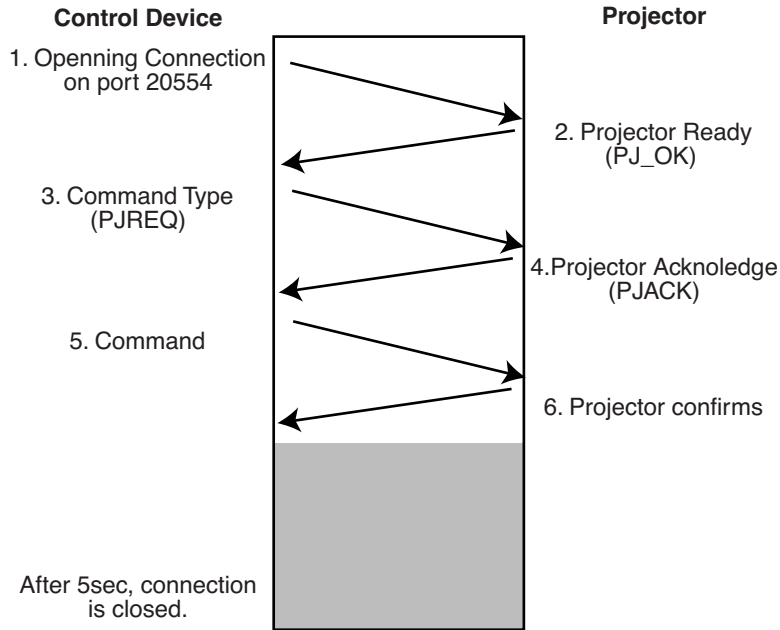
The network settings may have to be modified in the projector's network menu to match your current LAN network.

- DHCP Client: When set to ON, the projector's IP address will be automatically set by the DHCP server. on the LAN.
- IP Address: Sets the IP (Internet Protocol) address of the projector. A valid address must be set for this unit.
- Subnet Mask: Sets the Subnet Mask
- Default Gateway: Sets the Default IP Gateway of the projector.
- MAC Address: A 6 byte hex number that uniquely identifies the projector on the LAN. The value is unique to each individual unit on the LAN network.

The first step to verify that the network configuration of this unit has been correctly set is to ping the projector from a computer on the network using the command prompt.

Sending a LAN Control Command

In order to send a Remote Control compatible command to this unit, you must open a TCP connection on port 20554. and send a command immediately as the connection will be dropped within 5 sec of inactivity..



LAN communication protocol and timed out

Examples

You want to...	Command to send
Switch the projector ON	1. open TCP connection 2. receive PJ_OK : 50h 4Ah 5Fh 4Fh 4Bh 3. send PJREQ: 50h 4Ah 52h 45h 51h 4. receive PJACK: 50h 4Ah 41h 43h 4Bh 5. send Power On cmd: 21h 89h 01h 52h 43h 37h 33h 30h 35h 0Ah 6. receive confirmation: 06h 89h 01h 52h 43h 0Ah after 5 sec, TCP connection is closed.
Switch Anamorphic to mode A	1. open TCP connection 2. receive PJ_OK: 50h 4Ah 5Fh 4Fh 4Bh 3. send PJREQ: 50h 4Ah 52h 45h 51h 4. receive PJACK: 50h 4Ah 41h 43h 4Bh 5. send Anamorphic A: 21h 89h 01h 52h 43h 37h 33h 32h 33h 0Ah 6. receive confirmation: 06h 89h 01h 52h 43h 0Ah after 5 sec, TCP connection is closed.

9.3 Infra Red, long hex-pronto compatible RCU

The infra red command must be sent using NEC 5 protocol in ASCII format.

In the following example, Power ON command is 37h 33h 30h 35h, this command has to be converted as ASCII, it becomes 73 05.

To send this command using long hex Pronto compatible, convert the ASCII code as two hexadecimal numbers as follow:

73h = 115

05h = 5

Then program the Pronto RCU using the Device number 115 and Function 5:

Device Code: 115 (0x73) Function: 5 (0x05):

0000 006D 0001 0011 0141 00A0 0014 003C 0014 003C 0014 0014 0014 0014 0014 003C 0014 003C 0014 003C
 0014 0014 0014 003C 0014 0014 0014 003C 0014 0014 0014 0014 0014 0014 0014 0014 0014 0014 0014 0336

A complete device/function chart with their corresponding long hex commands is available, ask your dealer if required.

9.4 PC compatible signals

On HDMI Inputs

Designation	Resolution	fh (kHz)	fv (Hz)	Dot (MHz)	Polarity	Total dots x lines
VGA 60	640 x 480	31.500	60.000	25.200	H- V-	800 x 525
VGA 59.94	640 x 480	31.469	59.940	25.175	H- V-	800 x 525
SVGA 60	800 x 600	37.879	60.317	40.000	H+ V+	1056 x 628
XGA 60	1024 x 768	48.363	60.004	65.000	H- V-	1344 x 806
WXGA 60	1280 x 768	47.760	60.000	79.998	H- V+	1675 x 796
WXGA+ 60	1440 x 900	55.919	59.999	106.470	H- V+	1904 x 932
SXGA 60	1280 x 1024	63.981	60.020	108.000	H+ V+	1688 x 1066
WSXGA+ 60	1680 x 1050	65.222	60.002	147.140	H- V+	2256 x 1087
WUXGA 60	1920 x 1200	74.038	59.950	154.000	H+ V-	2080 x 1235

On Sub-D15 (VGA) input

Designation	Resolution	fh (kHz)	fv (Hz)	Dot (MHz)	Polarity	Total dots x lines
VGA 60	640 x 480	31.500	60.000	25.175	H- V-	800 x 525
VGA 72	640 x 480	37.900	72.000	31.500	H- V-	832 x 520
VGA 75	640 x 480	37.500	75.000	31.500	H- V-	840 x 500
VGA 85	640 x 480	43.300	85.000	36.000	H- V-	832 x 509
SVGA 60	800 x 600	37.900	60.000	40.000	H+ V+	1056 x 628
SVGA 72	800 x 600	48.100	72.000	50.000	H+ V+	1040 x 666
SVGA 75	800 x 600	46.900	75.000	49.500	H+ V+	1056 x 625
SVGA 85	800 x 600	53.700	85.000	56.250	H+ V+	1048 x 631
XGA 60	1024 x 768	48.400	60.000	65.000	H- V-	1344 x 806
XGA 70	1024 x 768	56.500	70.000	75.000	H- V-	1328 x 806
XGA 75	1024 x 768	60.023	75.029	78.750	H+ V+	1312 x 800
XGA 85	1024 x 768	68.700	85.000	94.500	H+ V+	1376 x 808
WXGA 60	1280 x 768	47.760	60.000	79.998	H- V+	1675 x 796
WXGA+ 60	1440 x 900	55.919	59.999	106.470	H- V-	1904 x 932
SXGA 60	1280 x 1024	63.981	60.020	108.000	H+ V+	1688 x 1066
SXGA+ 60	1400 x 1050	64.740	59.950	101.000	H+ V+	1560 x 1080
WSXGA+ 60	1680 x 1050	65.222	60.002	147.140	H- V-	2256 x 1087
1920 x 1080 60	1920 x 1080	67.500	60.000	148.500	H+ V+	2200 x 1125
MAC 13"	640 x 480	35.000	66.667	30.240	H- V-	864 x 525
MAC 16"	832 x 624	49.107	75.087	55.000	H- V-	1120 x 654
MAC 19"	1024 x 768	60.241	74.927	80.000	H- V-	1328 x 804

9.5 Specifications

Overview

The Inti Series uses the latest technology developed to provide the ultimate video-projection experience. LCoS (Liquid Crystal on Silicon) technology based on a reflective principle features an extremely high-definition picture and seamless color gradations.

Emission Method	LCoS (Reflective Active Matrix Principle)
Display Panel/Size	0.7" LCoS panel
Native Resolution	3x 1920 x 1080 pixels
Contrast Ratio	50,000:1 (Inti One only) with 3 screen modes 70,000:1 & 100,000:1 (Inti 2 & Inti 3) with 99 screen modes and dynamic lamp power adjustment.
Projection Lens	Throw Ratio 1.4:1 - 2.8:1 with 2.0x Zoom Electronic zoom, focus et shift Electronic aperture control (16-steps Aperture) Automatic Lens Cover
Brightness	1300 ANSI Lumens
Screen Size	60" to 250" (Aspect ratio 16:9)
Distance range	from 1,50m to 12 m
Input Signals	
Component Input	(YPbPr) 480i/p, 576i/p, 720p50/60, 1080i50/60 (support R/G/B Sync on G)
VGA (Sub-D15) (not on Inti One only)	VGA@60-85Hz, SVGA@56-85Hz, XGA@60-85Hz, SXGA@60Hz, WSXGA@60Hz, 1920x1080@60Hz(H+V+)
HDMI 1 Input	480i/p, 576i/p, 720p50/60, 1080i50/60, 1080p24/50/60 VGA@60Hz, SVGA@60Hz, XGA@60Hz, WXGA@60Hz, SXGA@60Hz, WSXGA@60Hz, WUXGA@60Hz 3D compatible with Blu-ray, side-by-side and top-and-bottom
HDMI 2 Input	480i/p, 576i/p, 720p50/60, 1080i50/60, 1080p24/50/60 VGA@60Hz, SVGA@60Hz, XGA@60Hz, WXGA@60Hz, SXGA@60Hz, WSXGA@60Hz, WUXGA@60Hz 3D compatible with Blu-ray, side-by-side and top-and-bottom
Color Management	Advanced color settings (7-axis: primaries, secondaries and orange)
Video processing	Detail Enhancement, Sharpness, DNR, MNR, BNR
Input Sync Frequency	
Analog Inputs	74.5 Mhz
Digital Inputs	150 Mhz
Light-source Lamp	220 W Ultra-high pressure mercury lamp
Power Requirements	AC 110 V - 240 V AC, 50 Hz/60 Hz
Power Consumption	<350W, 3.5A (0.9W in standby mode)
Dimensions (Width x Height x Depth)	(Excluding feet) 455 x 215 x 505 mm - 17.9" x 8.5" x 19.9"
Net Weight	approx. 15,2 Kg - 33.5 lbs

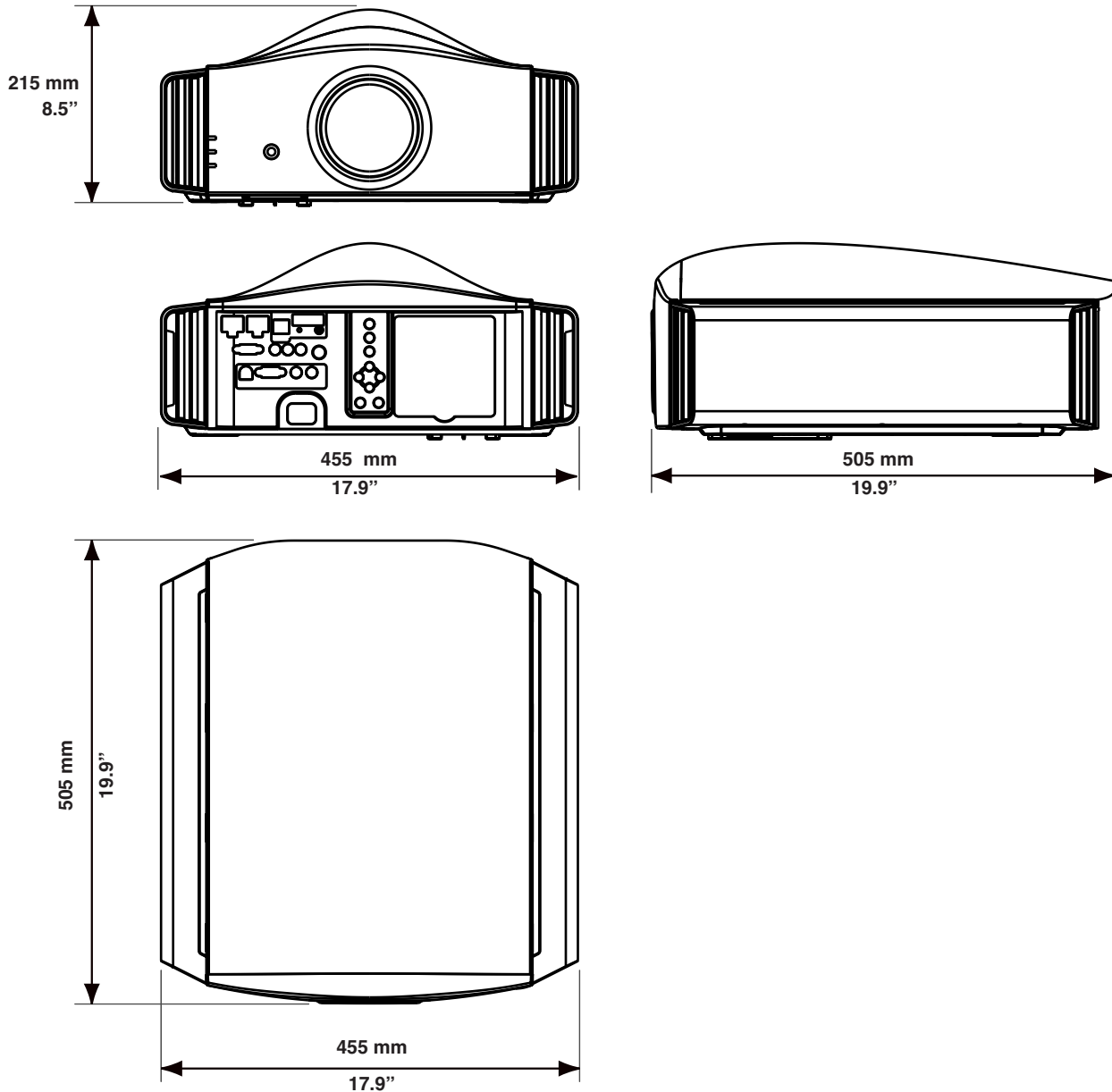
- Design and specifications are subject to change without prior notice.
- Please note that some of the pictures and illustrations may have been abridged, enlarged or contextualized in order to aid comprehension. Images may differ from the actual product.



3-CHIP LCoS SYSTEM

LCoS is the abbreviation of Liquid Crystal on Silicon. The 3-Chip LCoS systems feature dedicated panels for each color channel and render seamless color gradations without any flickering or rainbow effect artifacts.

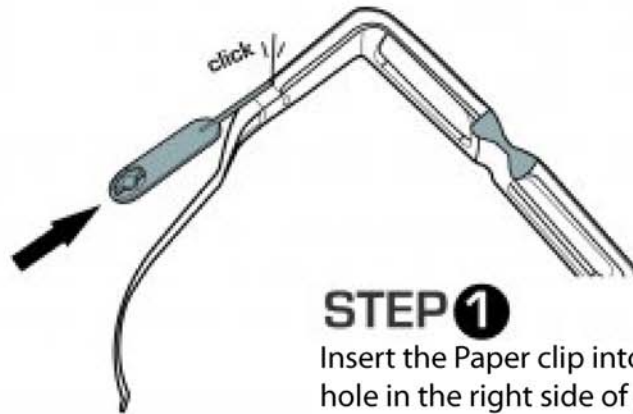
Dimensions



Contact Information:

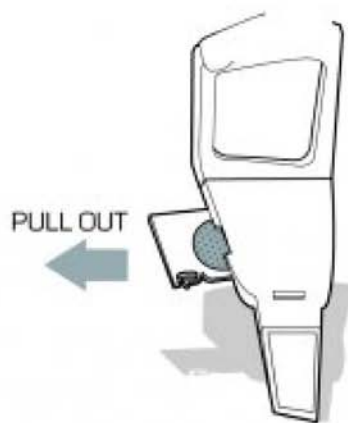
TEC - Dreamvision
 7, rue La CAILLE, 75017 Paris - FRANCE
 Web: www.dreamvision.net

How to replace battery on 3D-Glasses



STEP 1

Insert the Paper clip into the hole in the right side of glasses until you hear the "click".

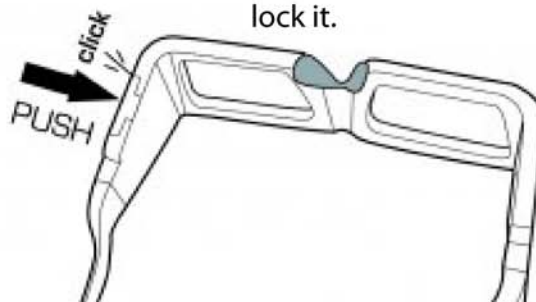


STEP 2

Pull towards you with your nail to remove the battery tray

STEP 3

Reinsert the battery and push to hear the "click" to lock it.



Dream Vision

WE MAKE THE WORLD DREAM

Inti Series - R699800