

YAMAHA
MIXING CONSOLE
MG06X
MG06 Owner's Manual

ZG13410 **EN**

Welcome

Thank you for purchasing the Yamaha MG06X/MG06 Mixing Console. Please read this manual thoroughly to get the most out of the product and ensure long-term, trouble-free use. After reading this manual, keep it readily available for future reference. * For the remainder of this manual, the word "mixer" is used instead of "Mixing Console." ** In this manual, all panel illustrations show the MG06X panel.

Main Features

- 6-channel mixer features microphone inputs and stereo/mono line inputs for input jacks.
- Yamaha's premium head amp "D-PRE" for providing high quality sound.
- PAD switch to support a wide variety of inputs to the channels 1/L and 2/R.
- (MG06X) Yamaha's high-quality SPX effects (6 types), providing optimum processing for instruments or vocals.

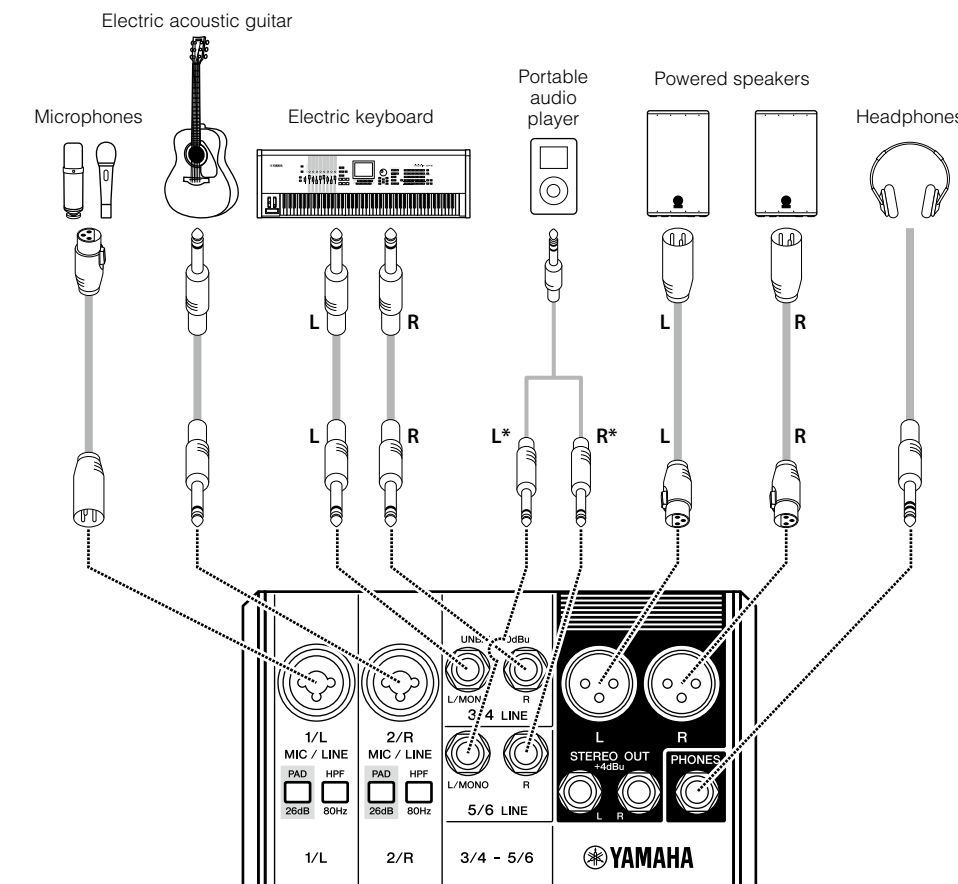
Included Accessories

- AC power adaptor
- Technical Specifications: Includes block diagram, dimensions, general specifications, and input/output characteristics.
- Owner's Manual (this leaflet)

QuickStart Guide

STEP 1 Connecting speakers, microphones, and instruments, etc.

Connection Example

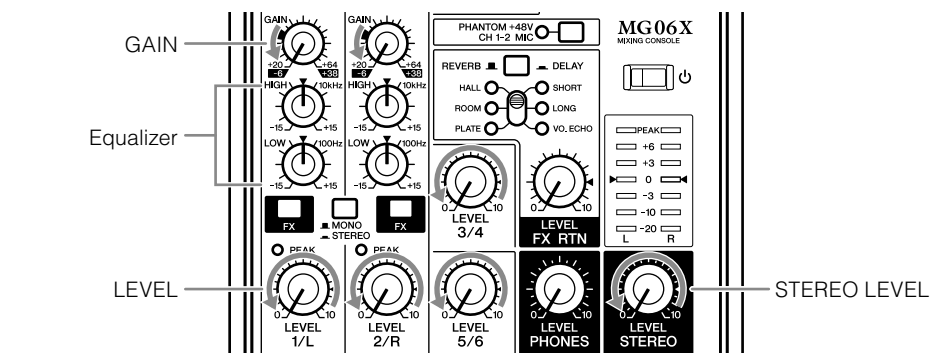


* Stereo mini plugs require conversion plugs to phone plugs.

STEP 2 Getting Sound to the Speakers

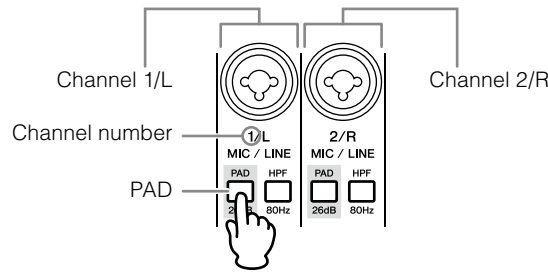
- 1 Make sure that all switches including the [⏻] switch are not pressed (■).**
- 2 Connect the supplied AC power adaptor.**
First connect the adaptor to the DC IN [12V] jack at the back panel of the unit (1), and then to the outlet (2).
- 3 Turn the [GAIN], [LEVEL] knobs (white), and [STEREO LEVEL] knob (red) fully to the left (minimum). Set the equalizer knobs (green) to the center "0" position.**

Refer to the illustration (at the top of the next column, before step 4). ↗

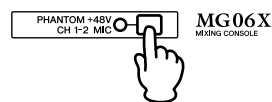


- 4 If you connect a device with high output level, such as a CD player or an electric keyboard to the channels 1/L and 2/R, turn on (▲) the [PAD] switch of the corresponding channel*.**

* Channel: Location or path where sound is input.



NOTE If you are using condenser microphones, turn on (▲) the [PHANTOM +48V] switch.



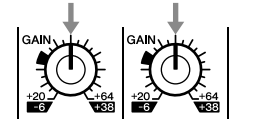
- 5 Turn on the power to connected devices in the following order: (microphone), (instrument), (audio device) ➡ (⏻) (switch on unit) ➡ (L) (speakers)**

NOTICE Follow this order to avoid any loud, unexpected noise from the speakers. Reverse the order when turning the power off.

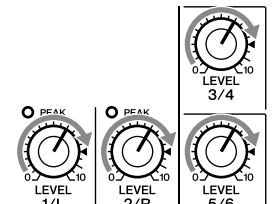
- 6 Set the [STEREO LEVEL] knob to the "4" position.**



- 7 For channels to which a microphone is connected, set the [GAIN] knob to roughly the 12 o'clock position.**



- 8 While playing your instrument or speaking into the microphone, turn the [LEVEL] knob to adjust the volume of the corresponding channel.**



- 9 If necessary, adjust the volume of the speaker or power amp.**

If you hear the sound and the volume seems appropriate, setup is complete. If not, please go to step 10 below.

NOTICE To avoid any loud noise from the speaker, first turn off the power of the speaker (speaker amp), then the unit itself, and finally the connected sound source such as an instrument.

- 10 If the sound is not heard, or if you want to adjust the volume, follow the instructions in the boxed section below.**

If you still do not hear the sound after doing the following steps, please refer to the checklist in the "Troubleshooting" section at the back of this booklet.

■ There is no sound, or you need to increase the volume

- 1 Turn the [GAIN] knob to the right so that the corresponding [PEAK] LED flashes briefly.**

NOTE If the [PEAK] LED does not light even if the [GAIN] knob has been turned fully to the right, raise the volume of the sound source (instrument, etc.).

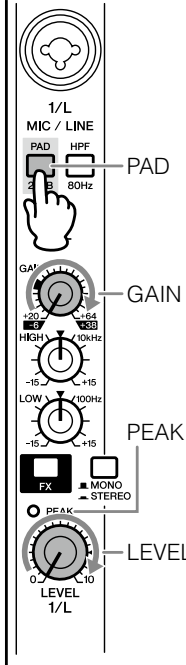
If no sound is heard or the volume does not increase after step 1:

- 2 If the [PAD] switch is turned on (▲), set the [LEVEL] knob to "0" (minimum), and then turn off (■) the switch.**
- 3 Slowly turn the [LEVEL] knob to the right until the desired volume is reached.**

■ To decrease the volume:

- 1 Set the [LEVEL] knob to "0" (minimum), then turn on (▲) the [PAD] switch.**
- 2 Slowly turn the [LEVEL] knob to the right until the desired volume is reached.**
- 3 Lower the volume of the instrument or audio device.**

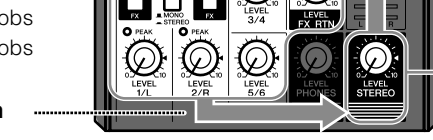
If the volume does not decrease after the above steps:



Mixer Basics: Where Your Sound Goes

The right illustration diagram illustrates the sound flow from summing (mixing) sound which was input to the channels to outputting sound from the speakers or headphones. Let's find out where input sound goes once it's inside the mixer.

- 1 Input the sound from a microphone or instrument**
- 2 Adjust the sound quality and volume of each channel**
- 3 The signal flow of the sound rightward, from the channels to the final output.**
- 4 Final adjustment of the volume of the mixed sound**
- 5 Output the sound from speakers or headphones**



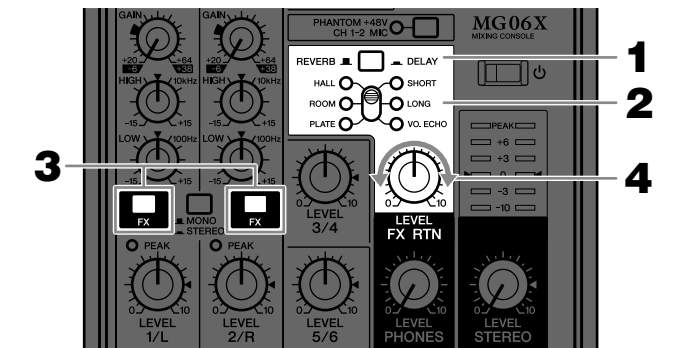
Applying Effects (MG06X)

The MG06X features built-in effects (Reverb and Delay) processors that are in the same league as our famed SPX effect processor series. Those effects let you simulate the acoustics of different performance environments, such as concert halls and small clubs, and add warm, natural ambience to your vocals or instrument performance.

- 1 Use the [REVERB] or [DELAY] switch to select Reverb (■) or Delay (▲).**

Type		Description
REVERB	HALL	Reverb simulating a large space such as a concert hall.
	ROOM	Reverb simulating the acoustics of a small space (room).
	PLATE	Reverb simulating a metal-plate, producing a more hard-edged sound.
DELAY	SHORT	Short echo with a "doubled" sound.
	LONG	Long, resonant echo with an extended decay.
	VO.ECHO	Echo suitable for vocals.

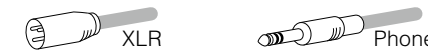
- 2 Move the effect select slide switch up and down to select the effect type.**
The LED of the selected effect lights.
- 3 Turn on (▲) the [FX] switch of the channel (1/L or 2/R) to which you want to apply the effect.**
- 4 Turn the [FX RTN LEVEL] knob to adjust the effect amount.**



Controls and Functions

- (Back panel) DC IN [12V] jack**
Connect the supplied AC power adaptor to this jack.

- [MIC/LINE] mono input jacks (channels 1/L, 2/R)**
Connect a microphone, an instrument, or an audio device (CD player, etc.) to the unit. These jacks support both XLR and phone plugs.



- [LINE] stereo input jacks (channels 3/4, 5/6)**
Connect line-level devices such as an electric keyboard or an audio device. These jacks support phone plugs. If you use only the [L/MONO] jack, same sound is output from both L (left) and R (right) speakers.

- [PAD] switches**
Turning the switch on (▲) will attenuate the sound input to the unit. If you hear distortion or the [PEAK] LED lights, turn the switch on (▲).
NOTE Turn the [LEVEL] knob to "0" (minimum) before toggling the [PAD] switch on (▲) and off (■). Otherwise, noise may be produced.

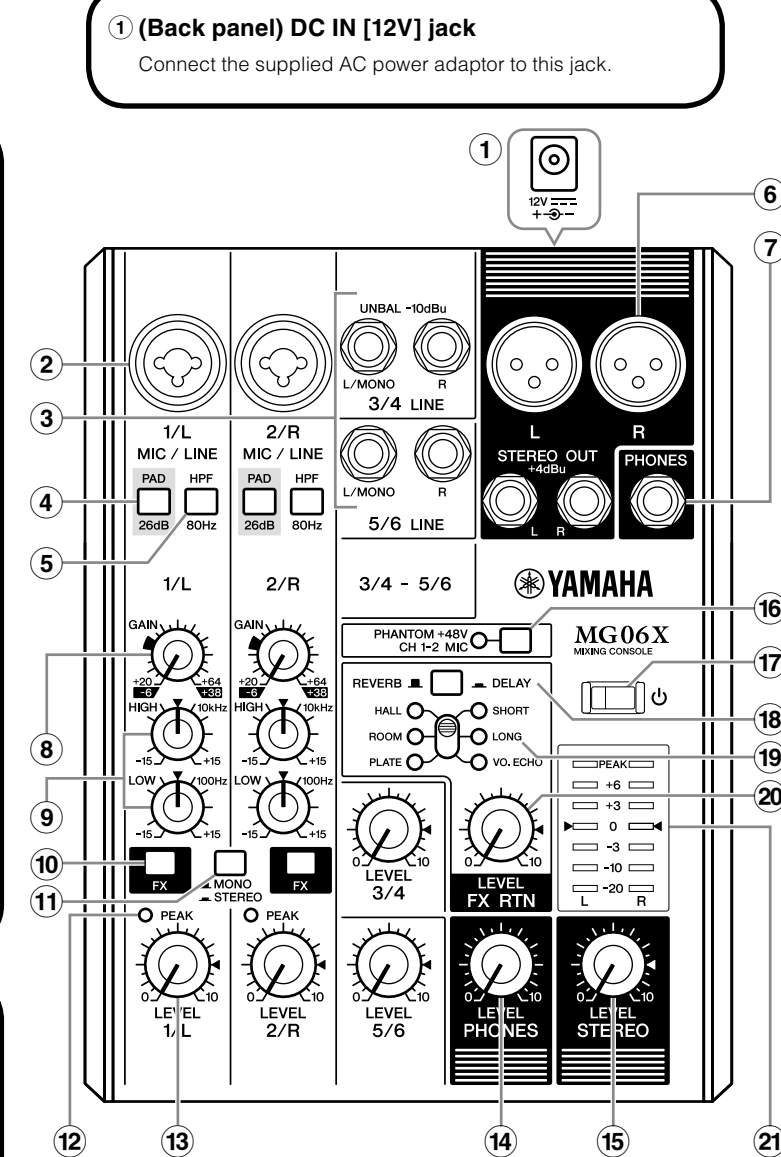
- [HPF] (High-Pass Filter) switches**
Turning the switch on (▲) will apply a high-pass filter that attenuates frequencies below 80Hz. When speaking into the microphone, you may want to turn this switch on (▲), in order to reduce unwanted vibration and wind sound received by the microphone.

- [GAIN] knobs**
Determines the basic volume for each channel, 1/L and 2/R. Adjust these so that the corresponding [PEAK] LEDs flash briefly when singing or playing the loudest.

- Equalizer (EQ) knobs**
Adjust the sound quality by using the [HIGH] (high frequency band) and [LOW] (low frequency band) knobs. If you do not need to adjust the sound quality, set the knob to the "0" (flat) position.

- [FX] switches (MG06X)**
Toggle the FX (effect) of channels 1/L and/or 2/R on and off.

- [MONO/STEREO] switch**
(■) [MONO]: Sound input to channels 1/L or 2/R can be heard from both the right and left speakers. If you use the 1/L or 2/R individually, set the switch to this setting.
(▲) [STEREO]: Sound input to channel 1/L can be heard from only the left speaker, and that input to channel 2/R can be heard from only the right speaker.



- [PEAK] LED**
Lights when the volume of input and/or post-equalizer sound is too high. If it is lit, turn the [GAIN] knob (8) to the left to lower the volume.

- [LEVEL] knobs**
For adjusting the volume balance among the channels.

- [PHONES LEVEL] knob**
Adjusts the headphones volume.

- [STEREO LEVEL] knob**
Adjusts the overall volume output from the [STEREO OUT] output jacks.

- [STEREO OUT] output jacks**
Connect a powered speaker or powered amp. These jacks support both XLR and phone plugs.
- [PHONES] output jack**
Connect a set of headphones. This jack supports a stereo phone plug.

- [PHANTOM +48V] switch/LED**
When this switch is on (▲), the LED lights indicating that the unit supplies DC+48V phantom power to the XLR plugs of the [MIC/LINE] mono input jacks (2). Turn this switch on when using a phantom-powered condenser microphone.
CAUTION
Be sure to leave this switch off (■) if you do not need phantom power. Follow the important precautions below, in order to prevent noise and possible damage to external devices as well as the unit when you operate this switch.
 - Be sure to leave this switch off when you connect a device that does not support phantom power to channels 1/L or 2/R.
 - Do not connect/disconnect a cable to/from channels 1/L and 2/R while this switch is on.
 - Turn the [LEVEL] knob of the channels 1/L and 2/R to the minimum before operating this switch.

- [⏻] (On/Standby) switch**
Toggles to turn the unit's power On (▲) or Standby (■).
CAUTION
Rapidly switching the unit between on and standby in succession can cause it to malfunction. After setting the unit to standby, wait for about 5 seconds before turning it on again.
 - Even when the switch is in the standby (■) position, electricity is still flowing to the unit. If you do not plan to use the unit for a while, be sure to unplug the AC power adaptor from the outlet.

- [REVERB] or [DELAY] switch (MG06X)**
Toggles to select the effect applied to channels 1/L and 2/R between Reverb (■) and Delay (▲).

- Effect select slide switch (MG06X)**
Moves up and down to select the effect type. The LED of the selected effect lights.

- [FX RTN LEVEL] (effect return level) knob (MG06X)**
Adjusts the volume of the effect sound.

- Level meter**
The L and R meters show the level of the signal output from the [STEREO OUT] jack. If the [PEAK] lamp lights in red, use the [LEVEL] knob to lower the volume.

Troubleshooting

Power does not come on.

- Did you properly plug the power adaptor into an appropriate AC outlet?
- Did you firmly and securely connect the power plug?

No sound.

- Did you turn on the powered speaker or the power amp?
- Did you properly connect the microphones, external devices, and speakers?
- Are any connecting cables shorted or damaged?
- Did you properly set the [LEVEL] knobs of all relevant channels and the [STEREO LEVEL] knob to appropriate levels?
- Are the [PAD] switches turned on (■)?
Turn the switch off (■). If the volume of sound source is too soft, turning on the switch may result in no audible sound.

Sound is faint, distorted, or noisy.

- Are the [GAIN] knobs and [LEVEL] knobs of all relevant channels, and the [STEREO LEVEL] knob set too high?
- Are the [PEAK] LEDs lit?
Lower the [GAIN] knobs of channels 1/L and 2/R, or turn on (■) the [PAD] switches.
- Are the "PEAK" (red) lamps of the level meter lit?
Set the [LEVEL] knobs of all relevant channels and the [STEREO LEVEL] knob to appropriate levels.
- Are the [PAD] switches turned off (■)?
Turn the switches on (■). If the volume of sound source is too loud, turning off the switches may result in distorted sound.
- Is the volume from the connected device too loud?
Lower the volume of the connected device.

The sound of vocals and speech isn't clear enough.

- Turn on (■) the [HPF] switches.
The sound becomes clearer.
- Adjust the equalizer knobs (example: lower the [LOW] knobs, raise the [HIGH] knobs).

No effect is applied. (MG06X)

- Did you turn on (■) the [FX] switches?
- Are the [LEVEL] knobs of all relevant channels raised enough?
- Did you set the [FX RTN LEVEL] knob to an appropriate level?

General Specifications

0 dBu = 0.775 Vrms Output impedance of signal generator (Rs) = 150 Ω
All level knobs are nominal if not specified.

Frequency Response	Input to STEREO OUT	+0.5 dB/-0.5 dB (20 Hz to 20 kHz), refer to the nominal output level @ 1 kHz, GAIN knob: Min
Total Harmonic Distortion (THD+N)	Input to STEREO OUT	0.01 % @ +8 dBu (20 Hz to 20 kHz), GAIN knob: Min 0.003 % @ +18 dBu (1 kHz), GAIN knob: Min
Hum&Noise *1 (20 Hz to 20 kHz)	Equivalent Input Noise	-128 dBu (Mono Input Channel, Rs: 150Ω, GAIN knob: Max)
	Residual Output Noise	-102 dBu (STEREO OUT, STEREO LEVEL knob: Min)
Crosstalk (1 kHz) *2		-88 dB
Input Channels		6 channels: Mono (MIC/LINE); 2, Stereo (LINE); 2
Output Channels		STEREO OUT: 2, PHONES: 1
Bus		STEREO: 1
	PAD	26 dB
	HPF	80 Hz, 12 dB/oct
	EQ HIGH	Gain: +15 dB/-15 dB, Frequency: 10 kHz shelving
	EQ LOW	Gain: +15 dB/-15 dB, Frequency: 100 Hz shelving
	PEAK LED	LED turns on when post EQ signal reaches 3 dB below clipping (+11 dBu)
Level Meter	Post STEREO LEVEL Knob	2 x 7-segment LED meter (PEAK (+11), +6, +3, 0, -3, -10, -20 dB)
Internal Digital Effect (MG06X)	SPX Algorithm	6 programs
Phantom Power Voltage		+48 V
Power Supply Adaptor		PA-130 (DC12 V/1.0 A, Cable length = 1.8 m), 120 V, 60 Hz, or MU18 (DC12 V/1.5 A, Cable length = 1.5 m), 100 V-240 V, 50 Hz/60 Hz, or an equivalent recommended by Yamaha
Power Consumption		12 W
Dimensions (WxHxD)		149 mmx62 mmx202 mm (5.9"x 2.4"x 7.9")
Net Weight		MG06: 0.9 kg (2.0 lbs), MG06X: 0.9 kg (2.0 lbs)
Optional Accessory		Mic Stand Adaptor: BMS-10A
Operating Temperature		0 to +40°C

*1 Noise is measured with A-weighting filter. *2 Crosstalk is measured with 1 kHz band pass filter.
Specifications and descriptions in this owner's manual are for information purposes only. Yamaha Corporation reserves the right to modify products or specifications at any time without prior notice. Since specifications, equipment, and options may not be the same in every locale, please check with your Yamaha dealer.

Jack List (Pin Alignment)

Input and Output Jacks	Polarities	Balanced/Unbalanced	Configurations
MIC/LINE 1/L, 2/R STEREO OUT L, R	Pin 1: Ground Pin 2: Hot (+) Pin 3: Cold (-)	Balanced	XLR connector
MIC/LINE 1/L, 2/R* STEREO OUT L, R*	Tip: Hot (+) Ring: Cold (-) Sleeve: Ground	Balanced	TRS phone plug
PHONES	Tip: L Ring: R Sleeve: Ground	—	TS phone plug
LINE 3/4, 5/6	Tip: Signal Sleeve: Ground	Unbalanced	TS phone plug

* These jacks also accept connection to TS phone plugs. If you use TS phone plugs, the connection will be unbalanced.

Mounting to a Microphone Stand

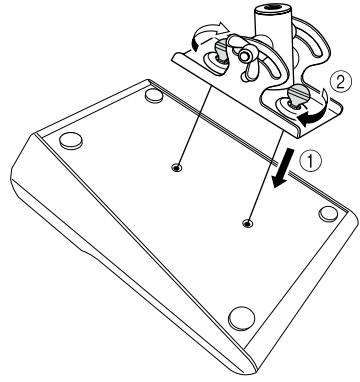
Caution

- If the stand should fall over, the mixer may be damaged. Attach the connection cables carefully so that the cables will not catch on the equipment and cause it to fall. For example: arrange the cables so that they run parallel with the microphone pole down to the base of the stand.

Notice

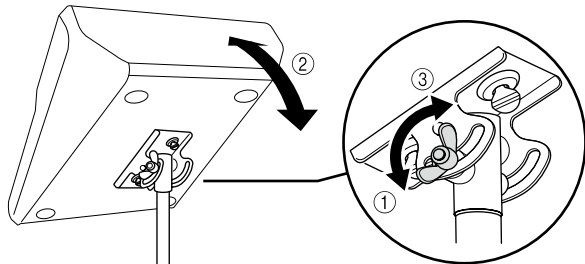
- When using the mixer on a microphone stand, be sure to set the stand on a level and stable surface. Do not set up the stand in locations subject to vibrations or wind.
- Leave ample free space around the stand.

1 Turn the mixer upside-down, and hold the microphone-stand adaptor (BMS-10A; sold separately) against the bottom of the mixer so that the screw holes are aligned (1). Screw the adaptor firmly into place with the two screws (2).



2 Turn the mixer right-side up, and mount it onto your microphone stand.

3 Loosen the angle adjustment wingnut (1), adjust the mixer's angle as desired (2), and then tighten the wingnut securely (3).



For more information, refer to the BMS-10A Owner's Manual.

The model number, serial number, power requirements, etc., may be found on or near the name plate, which is at the bottom of the unit. You should note this serial number in the space provided below and retain this manual as a permanent record of your purchase to aid identification in the event of theft.
Model No.
Serial No.

(bottom_en_01)

PRECAUTIONS

PLEASE READ CAREFULLY BEFORE PROCEEDING

Please keep this manual in a safe place for future reference.

WARNING

Always follow the basic precautions listed below to avoid the possibility of serious injury or even death from electrical shock, short-circuiting, damages, fire or other hazards. These precautions include, but are not limited to, the following:

Power supply/AC power adaptor

- Do not place the power cord near heat sources such as heaters or radiators, and do not excessively bend or otherwise damage the cord, place heavy objects on it, or place it in a position where anyone could walk on, trip over, or roll anything over it.
- Only use the voltage specified as correct for the device. The required voltage is printed on the name plate of the device.
- Use the specified adaptor (MU18 or PA-130, or an equivalent recommended by Yamaha) only. Using the wrong adaptor can result in damage to the instrument or overheating.
- If you intend to use the device in an area other than in the one you purchased, the included power adaptor may not be compatible. Please check with your Yamaha dealer.

- Check the electric plug periodically and remove any dirt or dust which may have accumulated on it.

Do not open

- This device contains no user-serviceable parts. Do not open the device or attempt to disassemble the internal parts or modify them in any way. If it should appear to be malfunctioning, discontinue use immediately and have it inspected by qualified Yamaha service personnel.

Water warning

- Do not expose the device to rain, use it near water or in damp or wet conditions, or place on it any containers (such as vases, bottles or glasses) containing liquids which might spill into any openings. If any liquid such as water seeps into the device, turn off the power immediately and unplug the power cord from the AC outlet. Then have the device inspected by qualified Yamaha service personnel.
- Never insert or remove an electric plug with wet hands.

Fire warning

- Do not put burning items, such as candles, on the unit. A burning item may fall over and cause a fire.

If you notice any abnormality

- When one of the following problems occur, immediately turn the power off and disconnect the electric plug from the outlet. Then have the device inspected by Yamaha service personnel.
 - The power cord or plug becomes frayed or damaged.
 - It emits unusual smells or smoke.
 - Some object has been dropped into the instrument.
 - There is a sudden loss of sound during use of the device.
- If this device or the AC power adaptor should be dropped or damaged, immediately turn the power off, disconnect the electric plug from the outlet, and have the device inspected by qualified Yamaha service personnel.

CAUTION

Always follow the basic precautions listed below to avoid the possibility of physical injury to you or others, or damage to the device or other property. These precautions include, but are not limited to, the following:

Power supply/AC power adaptor

- Do not cover or wrap the AC power adaptor with a cloth or blanket.
- When removing the electric plug from the device or an outlet, always hold the plug itself and not the cord. Pulling by the cord can damage it.
- Remove the electric plug from the outlet when the device is not to be used for extended periods of time, or during electrical storms.

Location

- Do not place the device in an unstable position where it might accidentally fall over.
- Do not place the device in a location where it may come into contact with corrosive gases or salt air. Doing so may result in malfunction.
- Before moving the device, remove all connected cables.
- When setting up the device, make sure that the AC outlet you are using is easily accessible. If some trouble or malfunction occurs, immediately turn the power off and disconnect the plug from the outlet. Even when the power is turned off, electricity is still flowing to the product at the minimum level. When you are not using the product for a long time, make sure to unplug the power cord from the wall AC outlet.

Connections

- Before connecting the device to other devices, turn off the power for all devices. Before turning the power on or off for all devices, set all volume levels to minimum.

Maintenance

- Remove the power plug from the AC outlet when cleaning the device.

Handling caution

- Avoid inserting or dropping foreign objects (paper, plastic, metal, etc.) into any gaps or openings on the device. If this happens, turn off the power immediately and unplug the power cord from the AC outlet. Then have the device inspected by qualified Yamaha service personnel.
- Do not rest your weight on the device or place heavy objects on it, and avoid use excessive force on the buttons, switches or connectors.
- Do not use speakers or headphones for a long period of time at a high or uncomfortable volume level, since this can cause permanent hearing loss. If you experience any hearing loss or ringing in the ears, consult a physician.

Yamaha cannot be held responsible for damage caused by improper use or modifications to the device, or data that is lost or destroyed.

CENTRAL & SOUTH AMERICA
MEXICO Yamaha de México, S.A. de C.V. Av. Insurgentes Sur 1647 Piso 9, Col. San José Insurgentes, Delegación Benito Juárez, México, D.F., C.P. 03900 Tel: +52-5054-6000
BRAZIL Yamaha Musical do Brasil Ltda. Rua Joaquim Floriano, 913 - 4º andar, Ipanema Bbl, CEP 04534-012 São Paulo, SP, BRAZIL Tel: 011-3704-1377
ARGENTINA Yamaha Music Latin America, S.A., Sucursal Argentina Olga Cossettini 1553, Piso 4 Norte, Madroña Este C1072EJX Buenos Aires, Argentina Tel: 011-4119-7000
VENEZUELA Yamaha Music Latin America, S.A., Sucursal Venezuela C.C. Manzanares Plaza P4 Ofc. 0401 - Manzanares-Baruta Caracas, Venezuela Tel: 58-212-9434-1877
PANAMA AND OTHER LATIN AMERICAN COUNTRIES/ CARIBBEAN COUNTRIES Yamaha Music Latin America, S.A. Torre Banco General, Piso No.7, Marbella, Calle 47 y Aquilino de la Guardia, Ciudad de Panamá, República de Panamá Tel: +507-269-5311
EUROPE
THE UNITED KINGDOM/IRELAND Yamaha Music Europe GmbH (UK) Sherborne Drive, Tibbook, Milton Keynes, MK7 8BL, UK Tel: 01908-366700
GERMANY Yamaha Music Europe GmbH Siemensstrasse 22-34/462 Rellingen, Germany Tel: 04101-3030
SWITZERLAND/LIECHTENSTEIN Yamaha Music Europe GmbH Branch Switzerland in Zürich Seefeldstrasse 94, 8008 Zürich, Switzerland Tel: 041-387-6900
AUSTRIA/BULGARIA Yamaha Music Europe GmbH Branch Austria Schleiergasse 20, A-1100 Wien, Austria Tel: 01-60203900
CZECH REPUBLIC/HUNGARY/ ROMANIA/SLOVAKIA/SLOVENIA Yamaha Music Europe GmbH Branch Austria (Central Eastern Europe Office) Schleiergasse 20, A-1100 Wien, Austria Tel: 01-60203900
POLAND/LITHUANIA/LATVIA/ESTONIA Yamaha Music Europe GmbH Branch Poland Office ul. Wroclawska 14 02-553 Warszawa, Poland Tel: 022-500-2925
AFRICA Yamaha Music Gulf FZE Office JAFZA, 16c12, P.O.Box 17328, Jebel Ali - Dubai, UAE Tel: +971-4-881-5868
MIDDLE EAST
TURKEY Yamaha Music Europe GmbH Merkez Alanya Turkiye Istanbul Suhesi Maslak Meydan Sokak No:5 Spring Güz Plaza Bagimsiz Bol. No:3, 34398 Şişli İstanbul Tel: +90-212-999-8010
CYPRUS Yamaha Music Europe GmbH Siemensstrasse 22-34, 25462 Rellingen, Germany Tel: 04101-3030
OTHER COUNTRIES Yamaha Music Gulf FZE Office JAFZA, 16c12, P.O.Box 17328, Jebel Ali - Dubai, U.A.E. Tel: +971-4-881-5868

(PA-en_1)

(PA-en_1)

(PA-en_1)

(PA-en_1)

(PA-en_1)

(PA-en_1)

(PA-en_1)

(PA-en_1)

(PA-en_1)

(PA-en_1)

(PA-en_1)

(PA-en_1)

(PA-en_1)

(PA-en_1)

(PA-en_1)

(PA-en_1)

(PA-en_1)

(PA-en_1)

(PA-en_1)

(PA-en_1)

(PA-en_1)

(PA-en_1)

(PA-en_1)

(PA-en_1)

(PA-en_1)

(PA-en_1)

(PA-en_1)

(PA-en_1)

(PA-en_1)

(PA-en_1)

(PA-en_1)

(PA-en_1)

(PA-en_1)

(PA-en_1)

(PA-en_1)

(PA-en_1)

(PA-en_1)

(PA-en_1)

(PA-en_1)

(PA-en_1)

FCC INFORMATION (U.S.A.)

1. IMPORTANT NOTICE: DO NOT MODIFY THIS UNIT!

This product, when installed as indicated in the instructions contained in this manual, meets FCC requirements. Modifications not expressly approved by Yamaha may void your authority, granted by the FCC, to use the product.

2. IMPORTANT:

When connecting this product to accessories and/or another product use only high quality shielded cables. Cable/s supplied with this product MUST be used. Follow all installation instructions. Failure to follow instructions could void your FCC authorization to use this product in the USA.

3. NOTE:

This product has been tested and found to comply with the requirements listed in FCC Regulations, Part 15 for Class "B" digital devices. Compliance with these requirements provides a reasonable level of assurance that your use of this product in a residential environment will not result in harmful interference with other electronic devices. This equipment generates/uses radio frequencies and, if not installed and used according to the instructions found in the users manual, may cause interference harmful to the operation of other electronic devices. Compliance with FCC regulations does not guarantee that interference will not occur in all installations. If this product is found to be the source of interference, which can be determined by turning the unit "OFF" and "ON", please try to eliminate the problem by using one of the following measures:
Relocate either this product or the device that is being affected by the interference.
Utilize power outlets that are on different branch (circuit breaker or fuse) circuits or install AC line filters.
In the case of radio or TV interference, relocate/reorient the antenna. If the antenna lead-in is 300 ohm ribbon lead, change the lead-in to co-axial type cable.
If these corrective measures do not produce satisfactory results, please contact the local retailer authorized to distribute this type of product. If you can not locate the appropriate retailer, please contact Yamaha Corporation of America, Electronic Service Division, 6600 Orangethorpe Ave, Buena Park, CA90620.
The above statements apply ONLY to those products distributed by Yamaha Corporation of America or its subsidiaries.

* This applies only to the MG06X distributed by YAMAHA CORPORATION OF AMERICA. (class b Korea)

이 기기는 가정용(B급) 전자파적합기기로서 주로 가정에서 사용하는 것을 목적으로 하며, 모든 지역에서 사용할 수 있습니다.

(class b Korea)

OBSERVERA!

Apparaten kopplas inte ur växelströmskällan (nåten) så länge som den är ansluten till vägguttaget, även om själva apparaten har stängts av.

ADVÅRSEL:

Nettspændingen til dette apparat er IKKE afbrudt, så længe netledningen sidder i en stikkontakt, som er tændt — også selvom der er slukket på apparatets afbryder.

VAROITUS:

Laitteen toimittopiiriin kytketty käyttökytyn ei irroita koko laitetta verkosta.

(standby)

For details of products, please contact your nearest Yamaha representative or the authorized distributor listed below.

NORTH AMERICA	MALTA Olimpus Music Ltd. The Emporium, Level 3, St. Louis Street Msida MSD06 Tel: 021-312-144	ASIA
CANADA Yamaha Canada Music Ltd. 135 Milner Avenue, Toronto, Ontario, M1S 3R1, Canada Tel: 416-298-1311	NETHERLANDS/BELGIUM/ LUXEMBOURG Yamaha Music Europe Branch Benelux Clarissenhof 2-4b, 4133 AB Vianen, Netherlands Tel: 01473-358 040	THE PEOPLE'S REPUBLIC OF CHINA Yamaha Music & Electronics (China) Co., Ltd. 2/F, Yinhedasha, 1818 Xinzhua-lu, Jingtan-qu, Shanghai, China Tel: 021-6427-2121
U.S.A. Yamaha Corporation of America 6600 Orangethorpe Avenue, Buena Park, CA 90620, U.S.A. Tel: 714-522-9011	FRANCE Yamaha Music Europe 7 rue Ambroise Croizat, Zone d'activités Pariest, 77183 Croissy-Beaubourg, France Tel: 01-64-64-14000	INDIA Yamaha Music India Pvt. Ltd. Spandoo building, Ground Floor, Tower A, Sector 47, Gurgaon- Sohna Road, Gurgaon, Haryana, India Tel: 0124-485-3300
MEXICO Yamaha de México, S.A. de C.V. Av. Insurgentes Sur 1647 Piso 9, Col. San José Insurgentes, Delegación Benito Juárez, México, D.F., C.P. 03900 Tel: +52-5054-6000	ITALY Yamaha Music Europe GmbH, Branch Italy Viale Italia 88, 20020 Linate (Milano), Italy Tel: 02-935-771	INDONESIA PT. Yamaha Musik Indonesia (Distributor) Yamaha Music Center Bldg. Jalan Jend. Gatot Subroto Kav. 4, Jakarta 12930, Indonesia Tel: 021-526-2577
BRAZIL Yamaha Musical do Brasil Ltda. Rua Joaquim Floriano, 913 - 4º andar, Ipanema Bbl, CEP 04534-012 São Paulo, SP, BRAZIL Tel: 011-3704-1377	SPAIN/PORTUGAL Yamaha Music Europe GmbH Ibérica, Sucursal en España Ctra. de la Corona km. 17,200, 28231 Las Rozas (Madrid), Spain Tel: +34-91-639-88-88	KOREA Yamaha Music Korea Ltd. 8F, 9F, Dongsung Bldg. 1369 Samsung-Dong, Kangnam-Gu, Seoul, Korea Tel: 02-346-3300
ARGENTINA Yamaha Music Latin America, S.A., Sucursal Argentina Olga Cossettini 1553, Piso 4 Norte, Madroña Este C1072EJX Buenos Aires, Argentina Tel: 011-4119-7000	GREECE Philippou Nakas S.A. The Music House 147 Skiatou Street, 112-55 Athens, Greece Tel: 01-228 2160	MALAYSIA Yamaha Music (Malaysia) Sdn., Bhd. No.8, Jalan Perbandaran, Kelana Jaya, 47301 Petaling Jaya, Selangor, Malaysia Tel: 03-78059000
VENEZUELA Yamaha Music Latin America, S.A., Sucursal Venezuela C.C. Manzanares Plaza P4 Ofc. 0401 - Manzanares-Baruta Caracas, Venezuela Tel: 58-212-9434-1877	SCANDINAVIA J. A. Wettergrensgata 1, Box 30053 S-406 43 Göteborg, Sweden Tel: +46 31 89 34 00	SINGAPORE Yamaha Music (Asia) Private Limited Block 202, Housgang Street 21, #02-09, Singapore 530202, Singapore Tel: 65-6747-4374
PANAMA AND OTHER LATIN AMERICAN COUNTRIES/ CARIBBEAN COUNTRIES Yamaha Music Latin America, S.A. Torre Banco General, Piso No.7, Marbella, Calle 47 y Aquilino de la Guardia, Ciudad de Panamá, República de Panamá Tel: +507-269-5311	SWEDEN/FINLAND/ICELAND Yamaha Music Europe GmbH Germany filial Scandinavia J. A. Wettergrensgata 1, Box 30053 S-406 43 Göteborg, Sweden Tel: +46 31 89 34 00	TAIWAN Yamaha Music & Electronics Taiwan Co., Ltd. 15th Floor, Sun A Bank Tower, 201-203 Cash Mang Thang Tam St., Ward 4, Dist.3, Ho Chi Minh City, Vietnam Tel: +84-6-3818-1122
EUROPE	DENMARK Yamaha Music Europe GmbH, Tyskland – filial Danmark Generatøvej 6A, DK-2730 Herlev, Denmark Tel: 44 92 49 00	THAILAND Siam Music Yamaha Co., Ltd. 891/1 Rama 1 Road, Wangmai, Pathumwan, Bangkok 10330, Thailand Tel: 02-215-2622
THE UNITED KINGDOM/IRELAND Yamaha Music Europe GmbH (UK) Sherborne Drive, Tibbook, Milton Keynes, MK7 8BL, UK Tel: 01908-366700	NORWAY Yamaha Music Europe GmbH Germany - Norvegien Branch Grin Næringspark 1, N-1361 Osterås, Norway Tel: 67 16 78 00	VIETNAM Yamaha Music Vietnam Company Limited 15th Floor, Sun A Bank Tower, 201-203 Cash Mang Thang Tam St., Ward 4, Dist.3, Ho Chi Minh City, Vietnam Tel: +84-6-3818-1122
GERMANY 		