

PC to VIDEO CONVERTER

Operation Manual

Features

It converts three VGA mode-1024x768, 800x600, 640x480 into NTSC or PAL video.

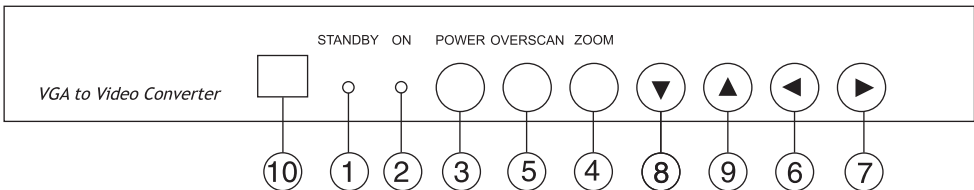
- * Plug and play design, no software drivers required.
- * Cross-platform compatibility for PC, Macintosh and Note book.
- * 4 level of brightness control plus 8 levels of sharpness control.
- * Traditional Zoom & Pan.
- * 2X Zoom for one specific area.
- * Screen freeze/unfreeze.
- * Vertical and horizontal overscan/underscan control.
- * Simultaneous display on PC and TV monitor.
- * Composite, S-Video (S-VHS or Hi-8) and RGB output.
- * Video output available in NTSC and PAL.
- * Automatically supports scan rate from 50 Hz up to 100 Hz.
- * Selective high clarity 5-line anti-flicker filter.
- * Built-in color bar generator.

Applications

- * Enjoy PC games, PC movies and internet on TV.
- * Education and business presentation.

Operation Controls and Functions

Front Panel

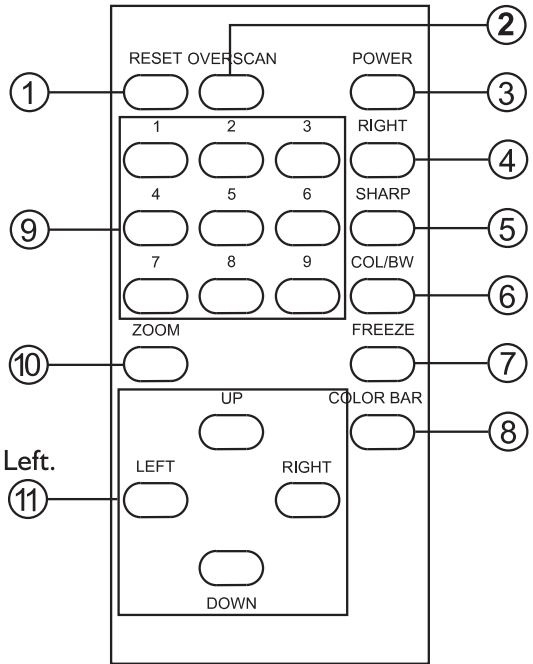


1. Standby indicator: The indicator will light when in standby mode.
2. ON Indicator: The indicator will light when in power ON mode.
3. Power Button: Push the button to turn power ON or OFF.
4. Zoom Button: Push the button to zoom the picture.
5. Overscan Button: Push the button to overscan/underscan the picture.
6. ◀ Button: Push the button to pan the picture left.
7. ▶ Button: Push the button to pan the picture right.
8. ▼ Button: Push the button to pan the picture down.
9. ▲ Button: Push the button to pan the picture up.
10. Remote control sensor.

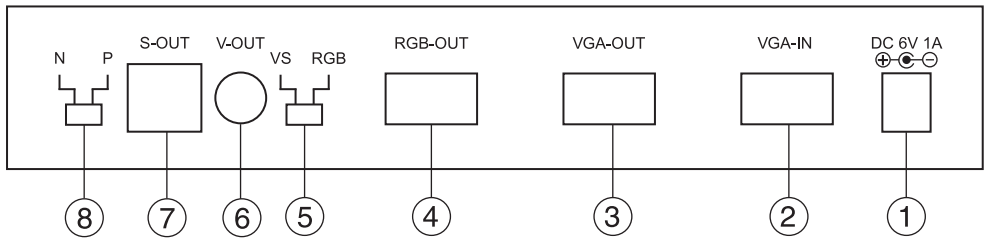
Operation Controls and Functions

Remote Control:

1. Reset the screen.
2. Overscan/underscan control.
3. Power ON/OFF.
4. Adjust the Brightness.
5. Adjust the Sharpness.
6. Show the picture color or B/W.
7. Freeze/Unfreeze the picture.
8. Show the built-in color bar.
9. Zoom for special area.
10. Zoom ON/OFF control.
11. Pan the picture Up, Down, Right, Left.



Rear Panel



1. DC power supply 6V 1A input.
2. VGA in.
3. VGA out.
4. RGB out.
5. Select Video/S-out or RGB out individually.
6. V-out.
7. S-out.
8. Select NTSC or PAL out.

Specifications

Input signal: VGA, Macintosh or Note book.

Horizontal frequency : 24KHz~48KHz

Vertical frequency: 50Hz~100Hz

Output signal: Composite video, S-Video,
 RGB (in NTSC, or PAL switchable),
 Loop-thru VGA output.

Power supply: DC 6V 1A

Accessory: Remote controller

Dimension: 192(D)x 140(W)x 37(H)mm

Weight: 800g

Connection and Installation

