

GH4

4" High Performance Full Range Speaker / Mini Array Element



GH4 is a high performance ultra compact point source satellite that features a 4" full range driver with a dual coil neodymium magnet and variable impedance (4 Ω - 16 Ω).

Thanks to the unique cabinet design, GH4's dispersion pattern guarantees a much lower emission on the back side of the speaker, improving sound control and preventing loss of energy. A robust stainless steel enclosure design with IP64 guarantees durability even in the worst conditions.

More GH4s (up to 8pcs) can be combined together to create an array and obtain even higher performance.

The flexibility and compactness of GH4 make it a great choice for fixed installation in a very wide variety of applications, from live and entertainment to hospitality, transportation, broadcast, theatres, HOW and residential.

GH4 comes with the following accessories: GF-WALL adjustable wall mount bracket

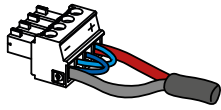
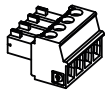
General	
Type	Passive loudspeaker
Transducers	4" Wide range driver with neodymium magnet
Frequency Response	120 Hz - 20 kHz (-6 dB)
Max SPL ¹	122 dB (peak)
Power Handling	140 W
Nominal Impedance	4 Ω / 16 Ω selectable
Connector	Euroblock (1,5/ 4-ST-3,81)
Coverage	V. 90° H. 90°
Dimensions (WxHxD)	112 x 112 x 94 mm (4.41 x 4.41 x 3.70 in)
Weight	1,2 kg (2,65 lb)
Material	Stainless steel
IP rating	IP64
Color	Black

¹ Maximum SPL is calculated using a signal with crest factor 4 (12dB) measured at 1 m.

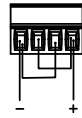
Frequent Applications	
Event Productions	Fitness & Wellness
Theatres	Houses of Worship
Transportation	Broadcast

Impedance selection

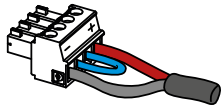
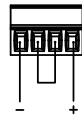
MC 1,5/ 4-ST-3,81



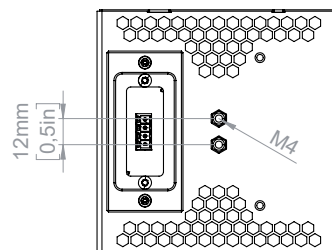
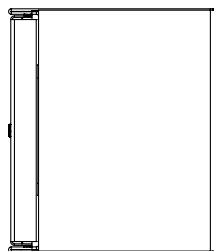
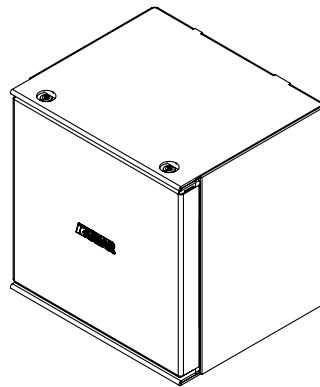
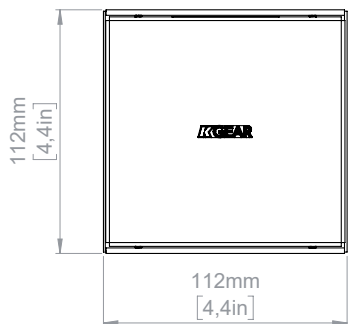
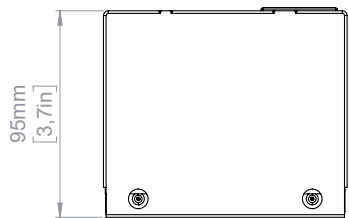
4Ω Low-Z



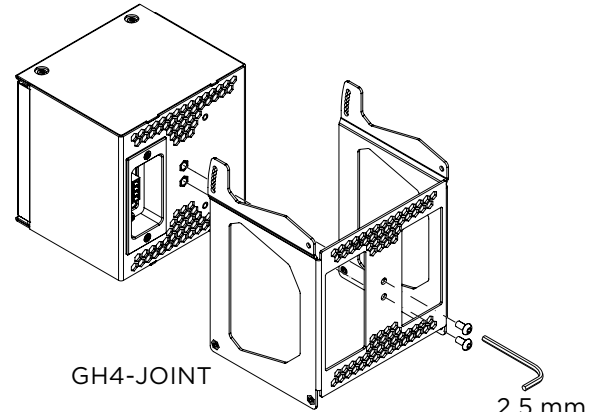
16Ω High-Z



Mechanical Drawings

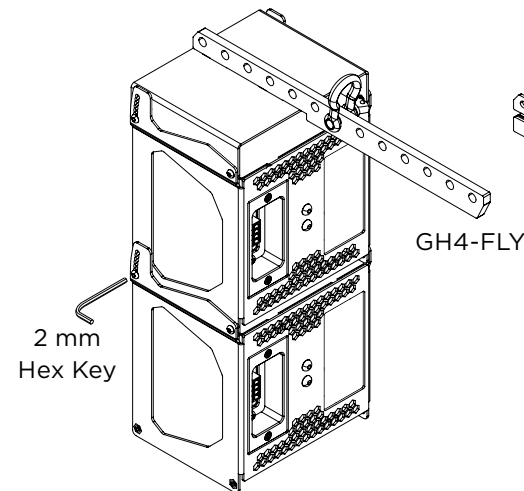
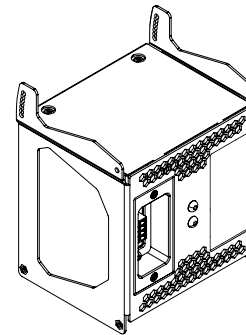


Rigging



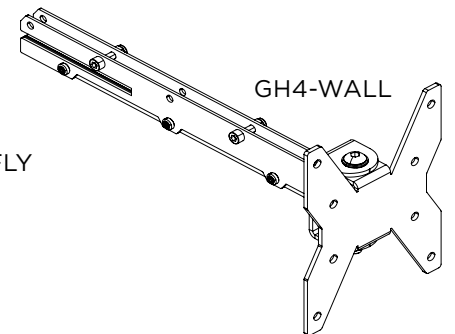
GH4-JOINT

2,5 mm
Hex Key



2 mm
Hex Key

GH4-FLY



GH4-WALL