

**Airplay Function**

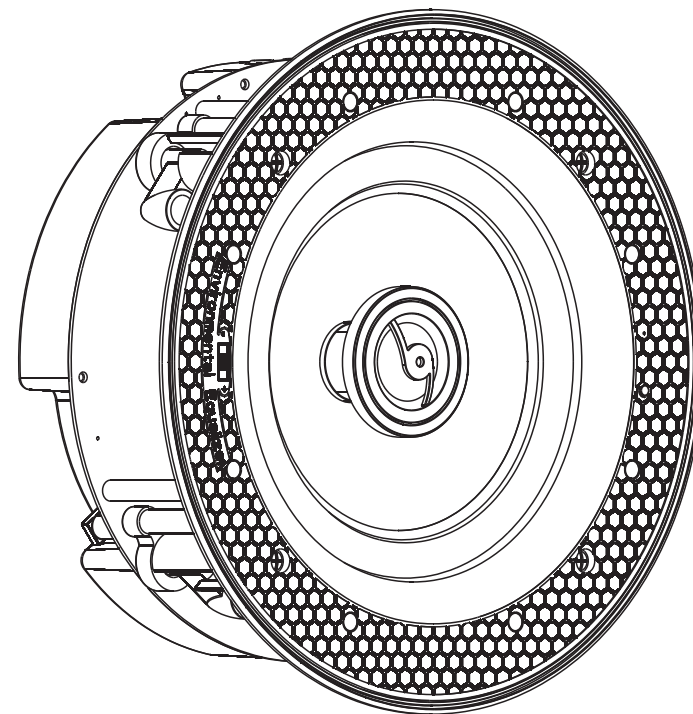
For iPhone, iPad and iMac smart device with ios operating system, you can use the Wi-Fi speaker with Airplay function. Connect your device to the speaker Wi-Fi. In the pull-up menu, click Airplay and choose the Wi-Fi speaker, then the sound can be steamed from your smart device.



# MT-PowerAUDIO

USER MANUAL

PSW-60 R v2 / RFW-60 R v2 / SEW-6 R v2



# WIRELESS SPEAKER

MULTI-ROOM MUSIC SOLUTION

## Specification

### Wi-Fi feature:

- Built-in Wi-Fi
- Wireless standard: 802.11b/g/n
- Support online audio streaming media
- Support audio format: MP3/WMA/AAC/ACC/ACC+/ALAC/APE/WAV

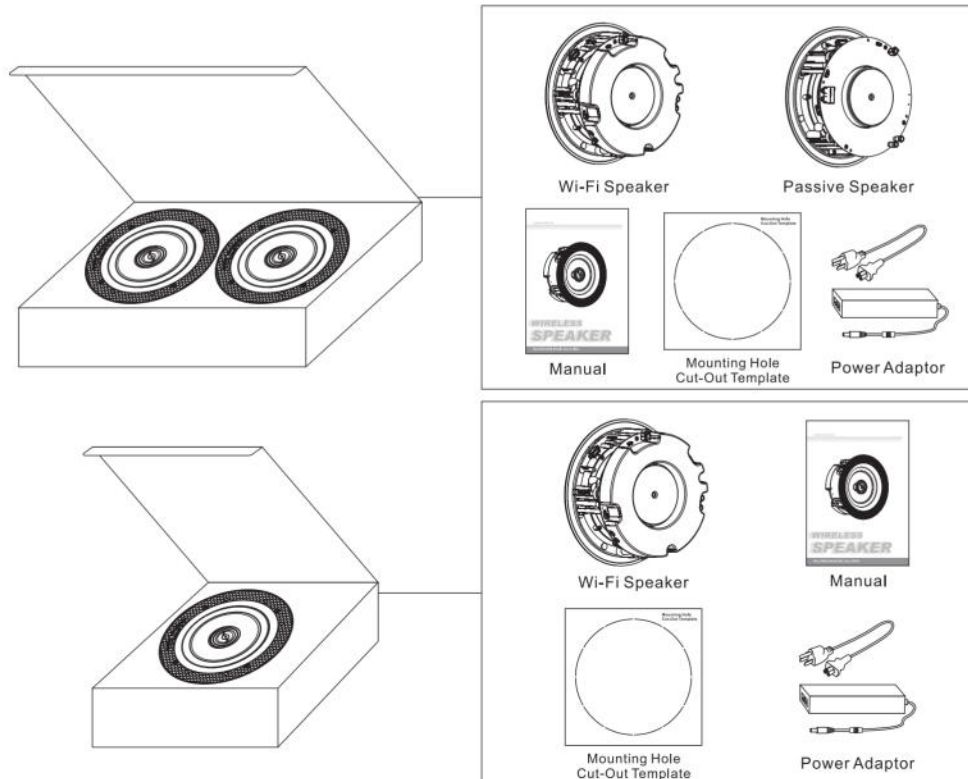
### Amplifier feature:

- Type: Class D(digital)
- Power input: DC24V/2.5A

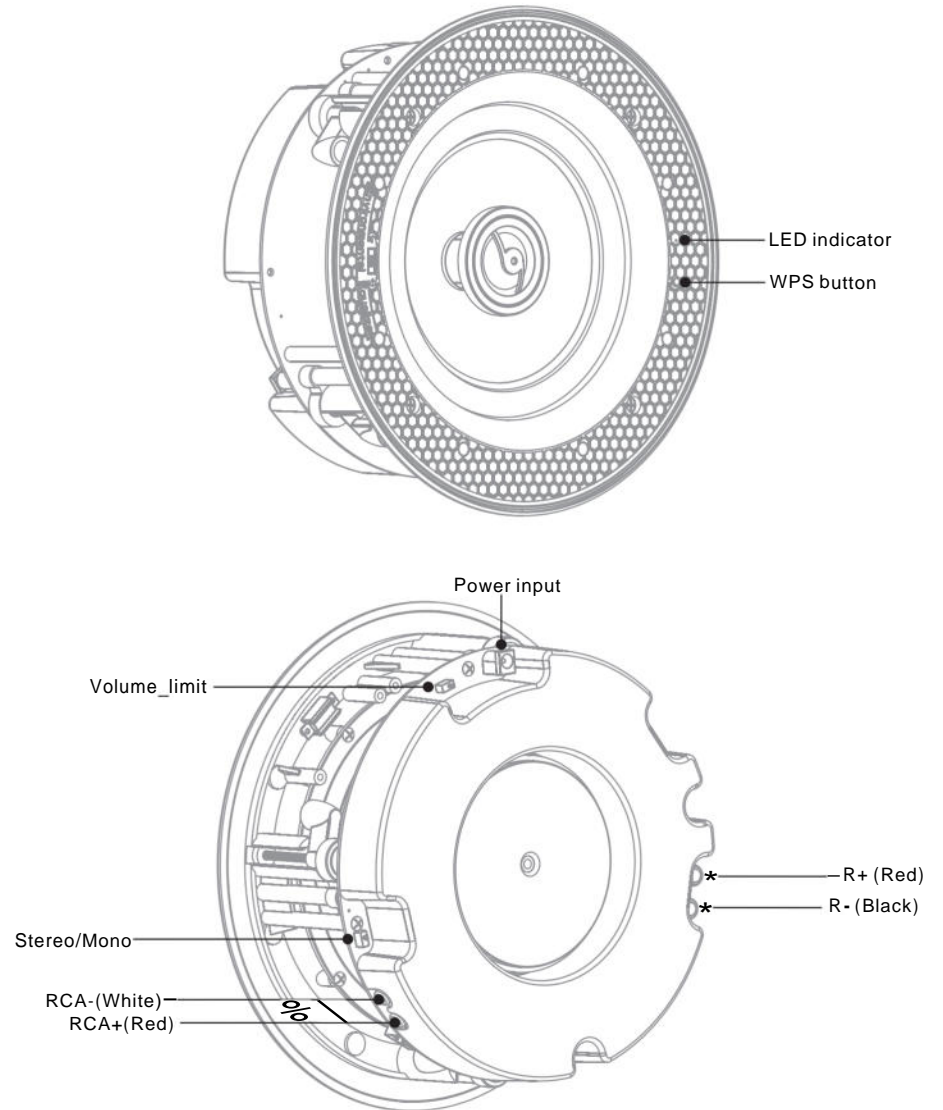
### Speaker:

- |                                   |                                   |                                   |
|-----------------------------------|-----------------------------------|-----------------------------------|
| <b>PSW-60 R v2</b>                | <b>RFW-60 R v2</b>                | <b>SEW-6 R v2</b>                 |
| • Frequency response: 70Hz-20KHz  | • Frequency response: 65Hz-20KHz  | • Frequency response: 45Hz-20KHz  |
| • Power (RMS/max.): 60/120W @8ohm | • Power (RMS/max.): 60/120W @8ohm | • Power (RMS/max.): 60/120W @8ohm |
| • Impedance: 8 ohms               | • Impedance: 8 ohms               | • Impedance: 8 ohms               |
| • Sensitivity(1w/1m): 90dB        | • Sensitivity(1w/1m): 90dB        | • Sensitivity(1w/1m): 90dB        |

## Package Contents



## Parts Of The Wi-Fi Speaker



- LED indicator:** indicate the power, wifi and music working status.  
**R+(Red) R-(Black):** to link passive speaker to stream stereo sound.  
**RCA:** to connect with your home TV set.  
**Power input:** connect with DC adaptor to offer power supply for the speaker.  
**WPS:** the trigger to configure multi-room music network or restore the device to original default settings.  
**Volume\_limit:** slide to choose 50%/100% volume output.  
**Stereo/Mono:** slide to choose stereo/mono mode.

# Controller APP Installation

## 1. Controller APP Installation

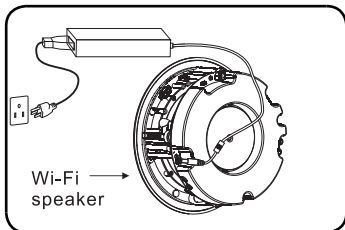


Please search "Smartsonix" to download controller app from Google Play (Android) or Apple App Store (IOS).

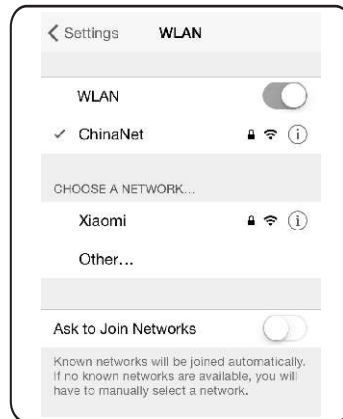
## 2. Wi-Fi Speaker testing

Before your Wi-Fi speaker is installed into ceilings, please arrange testing to make sure the device properly works.

**Step 1** Connect the Wi-Fi speaker to power supply



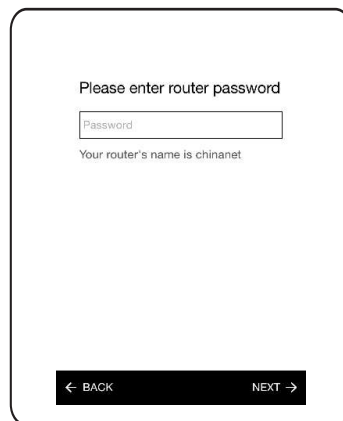
**Step 2** Switch the Wi-Fi function and connect your phone to the Wi-Fi



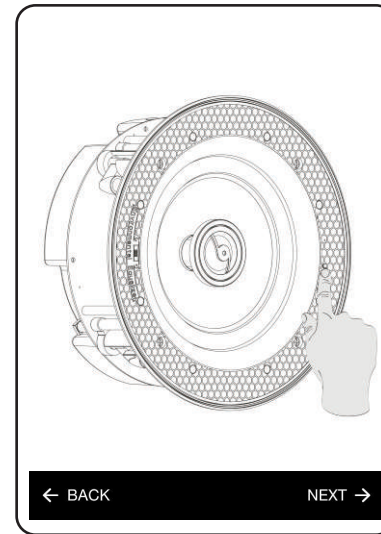
**Step 3** Start the controller APP smartsonix and click ADD DEVICE



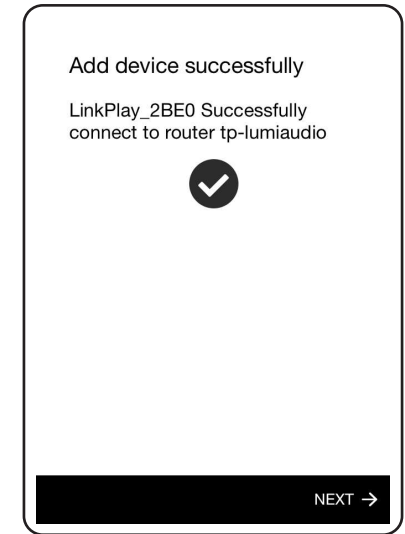
**Step 4** Enter the password of the router and click NEXT. Please make sure the router is available in your space.



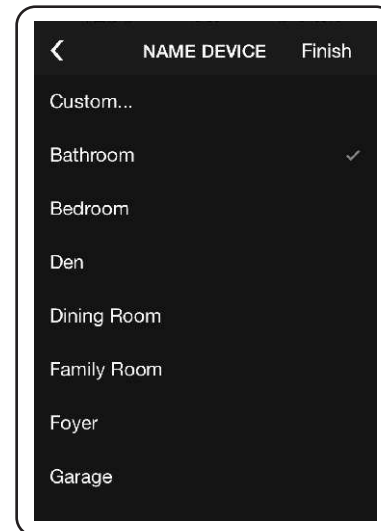
**Step 5** Press the WPS button on the back of the speaker to configure network and click NEXT.



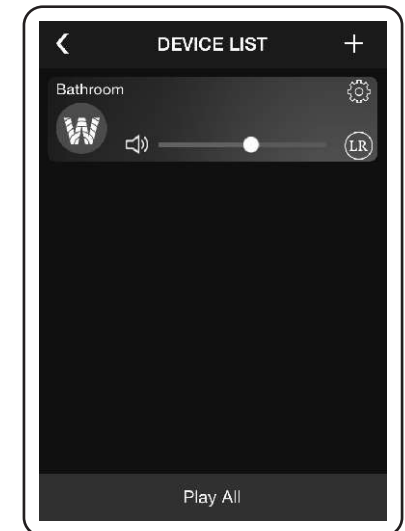
**Step 6** Later a progress diagram comes, wait for a few seconds, the device will be connected to your router automatically. If fails, click RETRY and repeat the operation of step 4 and step 5.



**Step 7** Name the device according to the room you will install and click FINISH.



**Step 8** After setting, the Wi-Fi speaker will be in the device list. If you have more than 1 Wi-Fi speakers, add devices and name them accordingly. After these steps, your multi-room music network is successfully established.

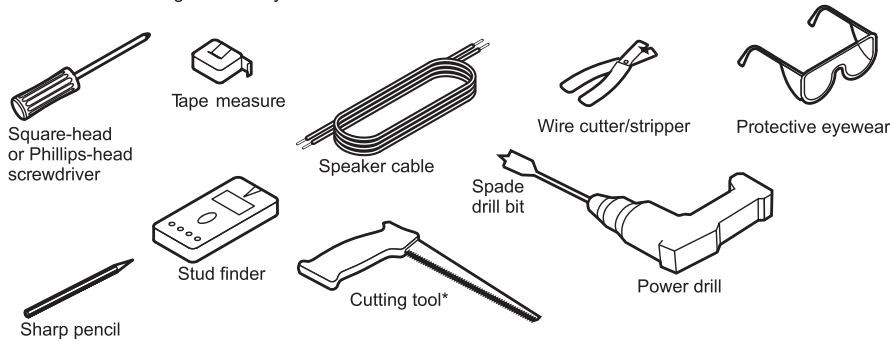


**Step 9** Choose a device and play a song in your phone to test whether the device works. If ok, testing finishes and you can forward the speaker installation.

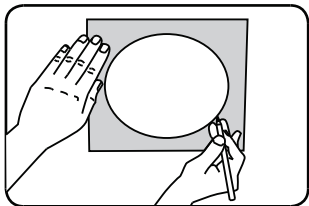


### 3. Wi-Fi Speaker Installation

Equipment you will need:  
Besides template that is included in the box, you must have a ladder and the equipment shown below to guarantee installation go smoothly.

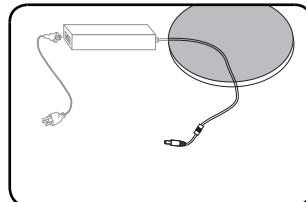


**Step 1** Use enclosed template to mark out the cut out, then simply cut along the line. This is the only cut you will need to make.

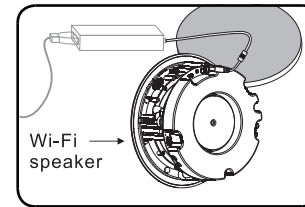


Installation dimension:  $\Phi$  210 mm  
Installation depth: >102mm

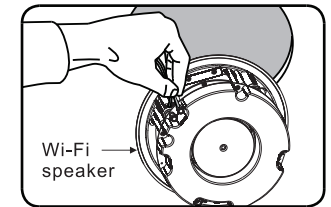
**Step 2** Place the DC adaptor in a suitable place in your wall or ceiling, leave the plug end and jack end. During speaker installation, please make sure the adaptor is cut out from power supply.



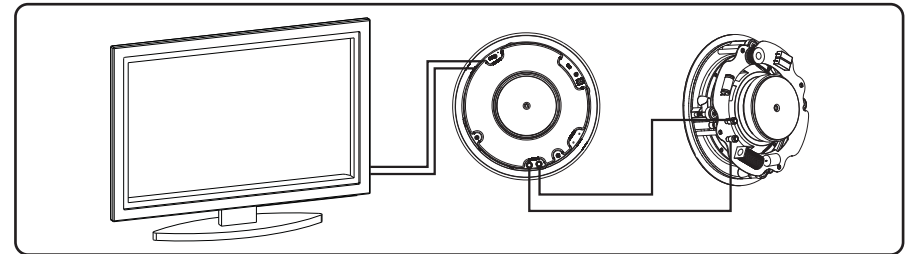
**Step 3** Connect the jack of DC adaptor to the Wi-Fi speaker and install the speaker into ceiling. The installed place should be in accordance with the room you have set in the controller APP.



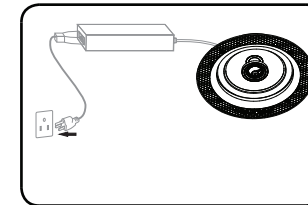
**Step 4** To enjoy stereo sound and achieve better sound quality, you can install another passive speaker to be paired with the Wi-Fi speaker. Lying loudspeaker cable from passive to the R+ and R- connectors of the Wi-Fi speaker.



Lying diagram between Wi-Fi speaker and passive speaker or home TV set. Cables should be lain before Wi-Fi speaker installed.



**Step 5** Cover the grill for the installed speaker and connect the plug of DC adaptor to the power supply.



#### Device Resetting

If the multi-room network fails during operation, you can press the WPS button to restore the speaker to its original factory default settings. Uninstall the Wi-Fi speaker from ceiling and press the WPS button for around 5 seconds, during this operation, make sure the speaker is power supplied.

#### Device Personal setting

**Rename:** If you found Wi-Fi speaker wrongly named after installation, you can rename the device to a correct one.

**Speaker info:** Each Wi-Fi speaker will launch wireless signal, to protect the Wi-Fi from embezzling by others, you can set password for your device.