

MASK2CMT-BL

Ceiling mounting tool for MASK2-BL



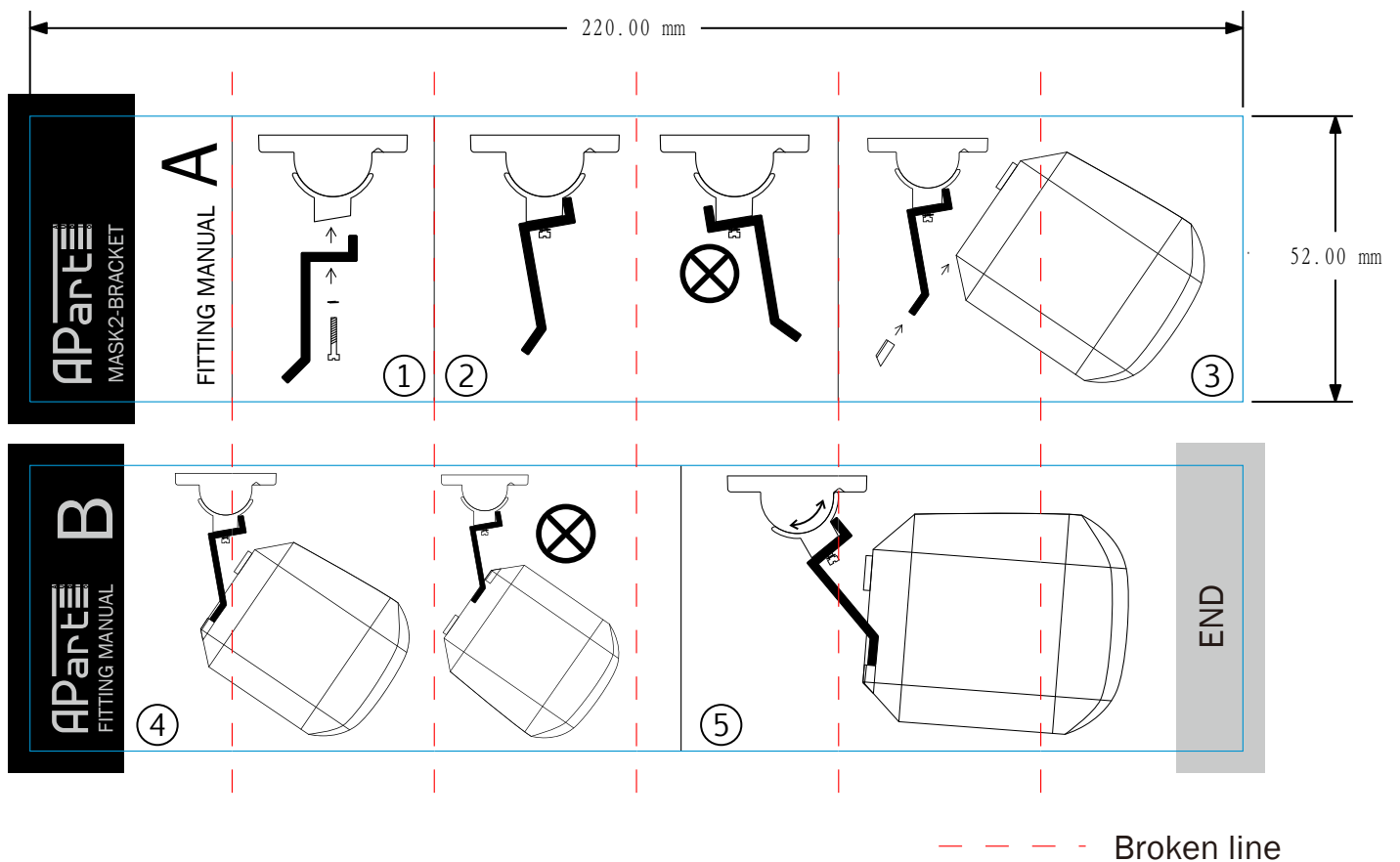
The MASK2CMT bracket combined with the MASK2 bracket makes it possible to install the MASK2 loudspeaker on the ceiling.

This small metal extension piece can be installed upon the existing MASK2 wall mount.

The additional piece is an extension on the original bracket to allow ceiling mounting. A lot more inclination of your MASK2 speaker mounted on the ceiling will be possible with the MASK2CMT!

TECHNICAL SPECIFICATIONS

height in mm	40	colour	black / white
--------------	----	--------	---------------



MORE PICTURES

