

OWNER MANUAL MANUALE D'USO

DU 31

- WALL FLUSH MOUNT LOUDSPEAKER
- DIFFUSORE DA INCASSO A PARETE

DU 31AT

- WALL FLUSH MOUNT LOUDSPEAKER WITH POWER SELECTOR
- DIFFUSORE DA INCASSO A PARETE CON SELETTORE DI POTENZA

A 1331

- REAR COVER WITH ACCESSORIES FOR DU 31 / DU 31AT
- COPERCHIO POSTERIORE CON ACCESSORI PER DU 31 / DU 31AT





ENGLISH	
SAFETY PRECAUTIONS	4
DESCRIPTION	6
INSTALLATION	6
CONNECTION	11
SPECIFICATIONS	14
ITALIANO	
AVVERTENZE PER LA SICUREZZA	16
DESCRIZIONE	18
INSTALLAZIONE	18
COLLEGAMENTO	23
DATI TECNICI	26

**IMPORTANT NOTES**

Before connecting and using this product, please read this instruction manual carefully and keep it on hand for future reference. This manual is to be considered an integral part of this product and must accompany it when it changes ownership as a reference for correct installation and use as well as for the safety precautions.

RCF S.p.A. will not assume any responsibility for the incorrect installation and / or use of this product.

SAFETY AND OPERATING PRECAUTIONS

1. All the precautions, in particular the safety ones, must be read with special attention, as they provide important information.

2. Loudspeaker lines (amplifier outputs) can have a sufficiently high voltage (i.e. 100-70 V) to involve a risk of electrocution: never install or connect this loudspeaker when the line is alive.

3. Make sure all connections have been made correctly and the loudspeaker input voltage is suitable for the amplifier output.

4. Protect loudspeaker lines from damage. Make sure they are positioned in a way that they cannot be stepped on or crushed by objects.

5. Make sure that no objects or liquids can get into this product, as this may cause a short circuit.

6. Never attempt to carry out any operations, modifications or repairs that are not expressly described in this manual.

Contact your authorized service centre or qualified personnel should any of the following occur:

- The loudspeaker does not function (or works in an anomalous way).
- The cable has been damaged.
- Objects or liquids have got into the unit.
- The loudspeaker has been damaged due to heavy impacts or fire.

7. Should the loudspeaker emit any strange odours or smoke, remove it from the line after having immediately switched the amplifier off.

8. Do not connect this product to any equipment or accessories not foreseen. For suspended installation, only use the dedicated anchoring points and do not try to hang this loudspeaker by using elements that are unsuitable or not specific for this purpose.

Also check the suitability of the support surface to which the product is anchored (wall, ceiling, structure, etc.), and the components used for attachment (screw anchors, screws, brackets not supplied by RCF etc.), which must guarantee the security of the system / installation over time, also considering, for example, the mechanical vibrations normally generated by transducers.

IMPORTANT NOTES

9. RCF S.p.A. strongly recommends this product is only installed by professional qualified installers (or specialised firms) who can ensure a correct installation and certify it according to the regulations in force.

The entire audio system must comply with the current standards and regulations regarding electrical systems.

10. There are numerous mechanical and electrical factors to be considered when installing a professional audio system (in addition to those which are strictly acoustic, such as sound pressure, angles of coverage, frequency response, etc.).

11. Hearing loss

Exposure to high sound levels can cause permanent hearing loss. The acoustic pressure level that leads to hearing loss is different from person to person and depends on the duration of exposure.

To prevent potentially dangerous exposure to high levels of acoustic pressure, anyone who is exposed to these levels should use adequate protection devices.

When a transducer capable of producing high sound levels is being used, it is necessary to wear ear plugs or protective earphones.

See the technical specifications in the instruction manual for the maximum sound pressure the loudspeaker is capable of producing.

12. To ensure a correct sound reproduction, loudspeaker phase is to be respected (loudspeakers are connected respecting the amplifier polarity). This is important when loudspeakers are installed adjacent one another, for instance, in the same room.

13. To prevent inductive effects from causing hum, noise and a bad system working, loudspeaker lines should not be laid together with other electric cables (mains), microphone or line level signal cables connected to amplifier inputs.

14. The loudspeaker cable shall have wires with a suitable section (twisted, if possible, to reduce inductive effects due to surrounding electro-magnetic fields) and a sufficient electrical insulation. Refer to local regulations since there may be additional requirements about cable characteristics.

15. Install this loudspeaker far from any heat source.

16. Do not use solvents, alcohol, benzene or other volatile substances for cleaning the external parts of this product.

RCF S.P.A. THANKS YOU FOR PURCHASING THIS PRODUCT, WHICH HAS BEEN DESIGNED TO GUARANTEE RELIABILITY AND HIGH PERFORMANCE.

DESCRIPTION



DU 31

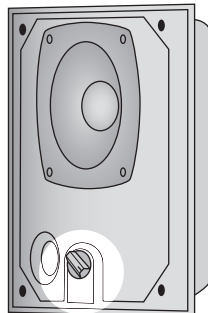
Wall flush mount 2 way loudspeaker, suitable for paging and background music.

DU 31AT

DU 31 loudspeaker with a power selector on the front.

A 1331

Rear cover for DU 31 / DU 31AT with accessories for either wall surface mount (single or dual) or desk-top use.



DU 31AT - POWER SELECTOR

INSTALLATION



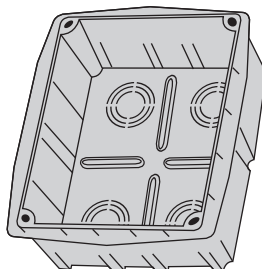
WARNING: The loudspeaker is to be installed by qualified personnel, respecting all safety standards.
The loudspeaker must be installed securely, making sure the support structure (walls / ceilings) has the necessary mechanical characteristics for the loudspeaker weight, without the risk of a fall that could damage things or cause an injury.
Use attachment elements suitable for walls / ceilings (e.g. screw anchors for bricks, screw anchors for concrete, etc.).

FLUSH BOX MOUNT

DU 31 / DU 31AT loudspeaker can be directly mounted into a flush box for electrical systems (picture 1), BTICINO® 16205 type or equivalent, having the following dimensions:

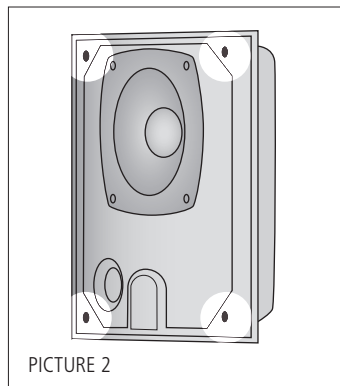
154 x 130 x 69 mm (internal) e 170 x 145 x 70 mm (external).

WARNING



PICTURE 1

The loudspeaker can be fixed through the 4 screws of the box, drilling the loudspeaker in its corners (corresponding to the box holes, see picture 2).



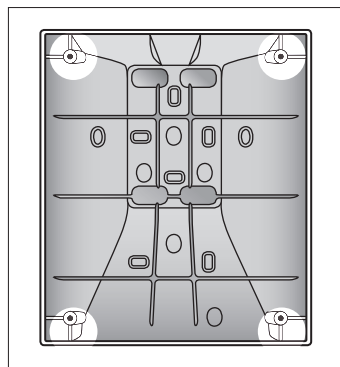
PICTURE 2

A 1331 REAR COVER

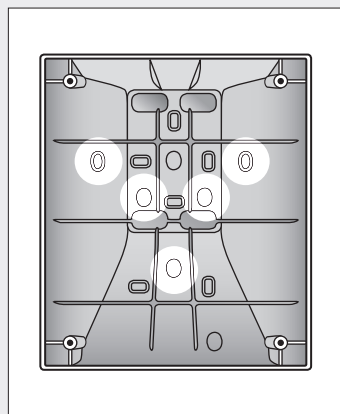
This is an optional rear cover (with accessories) that allows the following alternatives:

- A single DU 31 / DU 31AT wall surface mount (straight, tilted or angled).
- Installation of a pair of loudspeaker.
- Desk-top use.

The 4 corners allow to fix the loudspeaker through 4 screws.

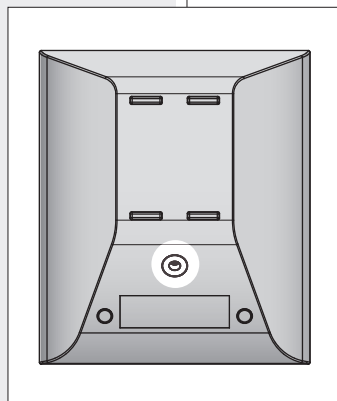


A 1331 REAR COVER

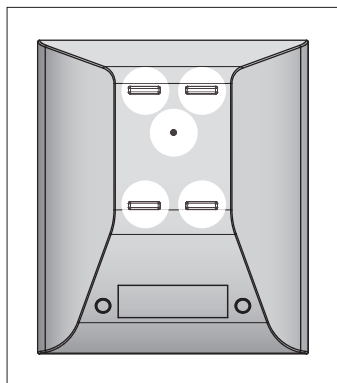


The rear cover has 5 points that can be drilled to get a hole necessary for the cable passage.

Example: rear view with central hole and a rubber grommet.



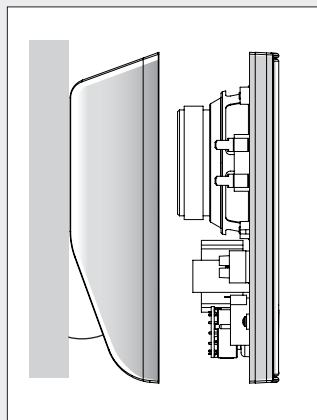
On the rear, there are 4 locations for the insertion of the supplied accessories and a point for a self-tapping screw.



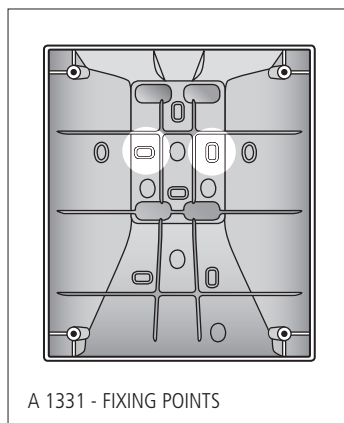
WALL MOUNT INSTALLATION WITH A 1331

Prepare the hole for the cable passage in the A 1331 rear cover.

Install (only) the A 1331 rear cover to the wall through 2 dowels with 3.5 mm screws passing through the 2 fixing points indicated here in the picture.



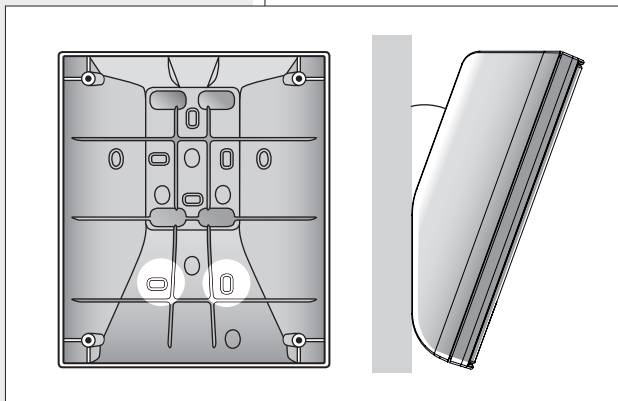
Remove the DU 31 / DU 31AT loudspeaker protective grille by using a small screwdriver. Connect the cable to the loudspeaker (see the 'Connection' manual section), then fix the loudspeaker to the A 1331 rear cover through the 4 front screws. Remount the loudspeaker protective grille.



A 1331 - FIXING POINTS

WALL MOUNT INSTALLATION WITH A 1331

As alternative, it is possible to install the loudspeaker tilted downwards, by using the 2 fixing points on the bottom oblique side.



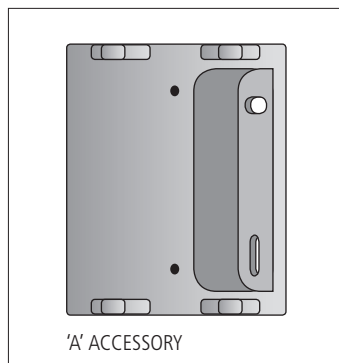
ANGLED WALL MOUNT INSTALLATION WITH A 1331 (SINGLE OR A PAIR OF LOUDSPEAKERS)

The A 1331 rear cover includes the 'A' accessory that permits the loudspeaker installation with a 45° horizontal angle.

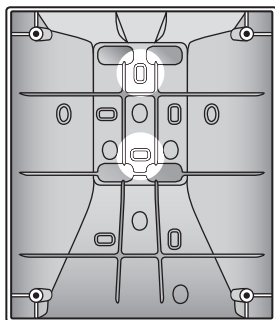
The 2 central holes of the 'A' accessory allow to fix the A 1331 rear cover (through two 3.5 mm self-tapping screws), the 2 lateral slots are for wall mount installation.

Proceed as follows:

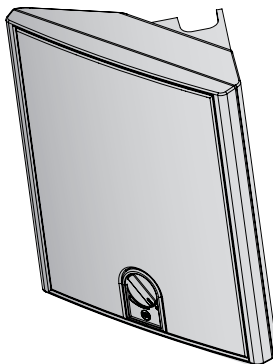
- Install the 'A' accessory to the wall.
- Prepare the hole for the cable passage in the A 1331 rear cover.
- Fix the A 1331 rear cover to the 'A' accessory through two 3.5 mm self-tapping screws.
- Remove the loudspeaker protective grille by using a small screwdriver.
- Connect the cable to the loudspeaker (see the 'Connection' manual section), then fix the loudspeaker to the A 1331 rear cover through the 4 front screws.
- Remount the loudspeaker protective grille.



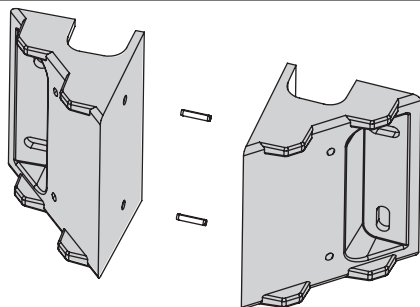
ANGLED WALL MOUNT INSTALLATION WITH A 1331 (SINGLE OR A PAIR OF LOUDSPEAKERS)



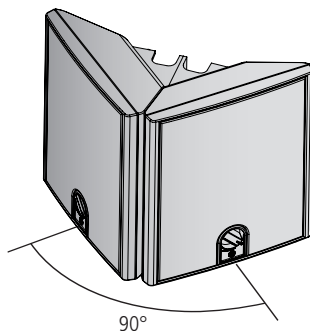
A 1331 - FIXING POINTS



2 'A' accessories put together with 2 lock pins allow the installation of a pair of loudspeakers pointed at different directions (90° angle between the 2 loudspeaker axes).



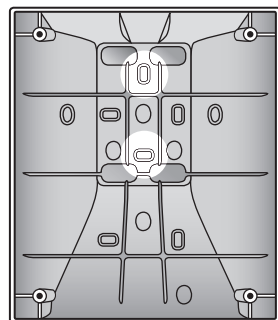
2 'A' ACCESSORIES PUT TOGETHER WITH 2 LOCK PINS



90°

Proceed as follows:

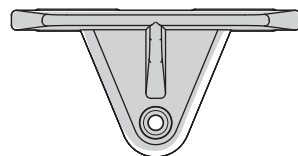
- Put together the 2 'A' accessories through the 2 lock pins (included).
- Install the pair of 'A' accessories to the wall.
- Prepare the holes for the cable passage in the A 1331 rear covers.
- Fix each A 1331 rear cover to the respective 'A' accessory through two 3.5 mm self-tapping screws.
- Remove the loudspeaker protective grilles by using a small screwdriver.
- Connect the cable to both loudspeakers (see the 'Connection' manual section), then fix each loudspeaker to the respective A 1331 rear cover through the 4 front screws.
- Remount the loudspeaker protective grilles.



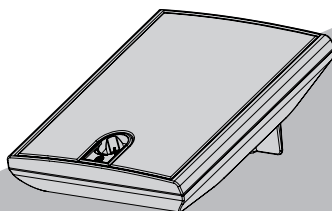
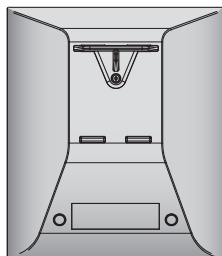
A 1331 FIXING POINTS

DESK-TOP (WITH A 1331 REAR COVER)

The A 1331 rear cover includes the 'B' accessory (to be fixed to the rear through a self-tapping screw) that permits to place the loudspeaker on a desk.



'B' ACCESSORY



WARNING: loudspeaker connections should be only made by qualified and experienced personnel having the technical know-how or sufficient specific instructions to ensure that connections are made correctly and to prevent any electrical danger.

To prevent any risk of electric shock, do not connect loudspeakers when the amplifier is switched on.

Before turning the system on, check all connections and make sure there are no accidental short circuits.

The entire sound system shall be designed and installed in compliance with the current local laws and regulations regarding electrical systems.

DU 31 MODEL

On the loudspeaker rear there are screw terminals to connect a 100 V constant voltage line from an amplifier, with the choice of 3 different power values: 2 – 4 – 8 W.

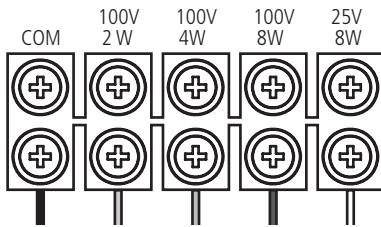
NOTE: IF THE LINE IS 70 V (INSTEAD OF 100 V), THE SELECTED POWER WILL BE HALVED (1 – 2 – 4 W).

THE 25 V – 8 W INPUT (CORRESPONDING TO AN IMPEDANCE VALUE OF 78 Ω) ALLOWS TO CONNECT THE LOUDSPEAKER (POSSIBLY IN PARALLEL TO OTHER LOUDSPEAKERS, ALL CONNECTED THROUGH 25 V – 8 W INPUTS) TO AN AMPLIFIER LOW IMPEDANCE OUTPUT (USUALLY 4 – 8 Ω).

WARNING



DU 31 MODEL



VOLTAGE	POWER	IMPEDANCE
- 100 V	2 W	5000 Ω
- 100 V	4 W	2500 Ω
- 100 V	8 W	1250 Ω
- 25 V	8 W	78 Ω

100 V CONSTANT VOLTAGE LINE:

Connect the amplifier output marked with '0', 'b' or 'COM' to the loudspeaker COM input.

Connect the amplifier 100 V output (terminal marked with '100 V' or 'a') to one (only) of the 3 loudspeaker 100 V inputs (according to the chosen power: 2 – 4 – 8 W).

NOTE: Do NOT CONNECT THE 100 V LINE TO THE LOUDSPEAKER 25 V – 8 W INPUT.

AMPLIFIER WITH LOW IMPEDANCE (4 – 8 Ω)

LOUDSPEAKER OUTPUTS:

Connect the amplifier '–' output to the loudspeaker COM input.

Connect the amplifier '+' output to the loudspeaker 25 V – 8 W input.



DU 31AT MODEL

On the loudspeaker rear there are a 100 V input to connect a 100 V constant voltage line (n: a 70 V entails half power) and a 25 V input to connect the loudspeaker (possibly in parallel to other loudspeakers, all connected through 25 V inputs) to an amplifier low impedance output (usually 4 – 8 Ω).

The power can be set by means of the front power selector (that affects the volume level).

100 V CONSTANT VOLTAGE LINE:

Connect the amplifier output marked with '0', 'b' or 'COM' to the loudspeaker COM input.
 Connect the amplifier 100 V output (terminal marked with '100 V' or 'a') to the loudspeaker 100 V input.

NOTE: DO NOT CONNECT THE 100 V LINE TO THE LOUDSPEAKER 25 V INPUT.

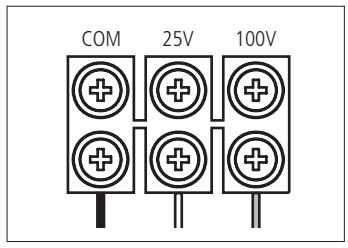
**AMPLIFIER WITH LOW IMPEDANCE (4 – 8 Ω)
 LOUDSPEAKER OUTPUTS:**

Connect the amplifier '-' output to the loudspeaker COM input.
 Connect the amplifier '+' output to the loudspeaker 25 V input.

NOTES ABOUT CONSTANT VOLTAGE SYSTEMS

- The loudspeaker input voltage (Vd) shall correspond to the amplifier output voltage (Va).
- The sum of nominal power values (Pd x n) of all loudspeakers connected to the line shall not exceed the amplifier power (Pa).
- Make sure all loudspeakers are connected in phase to ensure a correct sound reproduction.

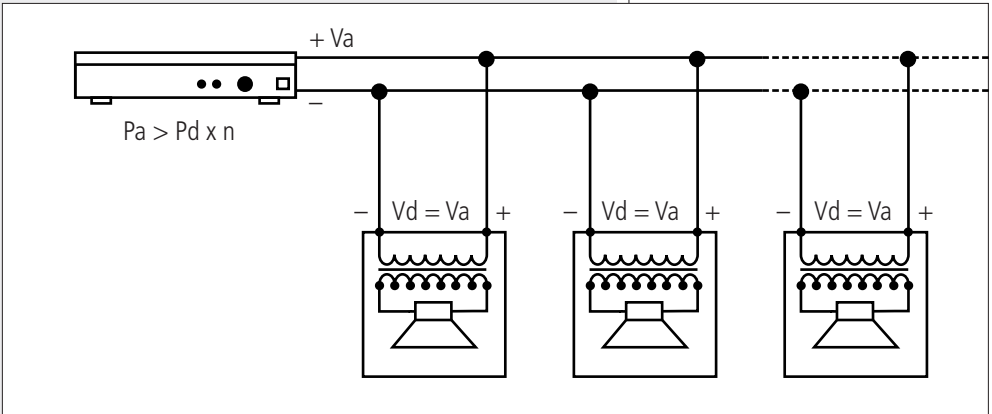
DU 31AT MODEL



100 V CONSTANT VOLTAGE LINE

i
**AMPLIFIER WITH LOW IMPEDANCE (4 – 8 Ω)
 LOUDSPEAKER OUTPUTS:**

NOTES ABOUT CONSTANT VOLTAGE SYSTEMS



- Always use cables having wires with an adequate cross-section, considering the cable length and the total loudspeaker power.
- Loudspeaker lines must be kept separated from mains cable, microphone cables or others, in order to avoid inductive phenomena may cause hum or noises.
- Use loudspeaker cables having twisted wires to reduce hum caused by inductive effects due to coupling with electromagnetic fields.

NOTES ABOUT LOW IMPEDANCE CONNECTIONS

- The total loudspeaker impedance must not be lower than the amplifier output impedance. Note: a loudspeaker total impedance equal to the amplifier output one permits to get the maximum deliverable power (but an higher loudspeaker impedance entails less power).
- The minimum impedance of each DU 31 (or DU 31AT) loudspeaker is 78Ω (25 V input), therefore the total impedance of a group made of DU 31 loudspeakers linked in parallel (all to their 25 V input) is given by the value 78Ω divided by the loudspeaker number. For instance: the total impedance of 6 DU 31 loudspeakers linked in parallel is 13Ω .
- The total loudspeaker power shall be adequate for the maximum deliverable power of the amplifier.
- Loudspeaker lines shall be as short as possible.



Input voltage	100 – 25 V
Power	8 – 4 – 2 W (DU 31); max. 8 W selectable (DU 31AT)
Frequency response	100 Hz ÷ 17 kHz
Sensitivity	82 dB (1 m / 1 W)
Sound pressure (8 W)	91 dB (1 m)
Loudspeakers	4" woofer with piezoelectric tweeter
Cabinet material	Polystyrene UL94HB
Grille	Galvanized steel, Grey White RAL 9002
Colour	Grey White RAL 9002
Dimensions (w, h, d)	151 mm, 175 mm, 56 mm
Net weight	0.67 kg

**IMPORTANTE**

Prima di collegare ed utilizzare questo prodotto, leggere attentamente le istruzioni contenute in questo manuale, il quale è da conservare per riferimenti futuri. Il presente manuale costituisce parte integrante del prodotto e deve accompagnare quest'ultimo anche nei passaggi di proprietà, per permettere al nuovo proprietario di conoscere le modalità d'installazione e d'utilizzo e le avvertenze per la sicurezza.

L'installazione e l'utilizzo errati del prodotto esimono la RCF S.p.A. da ogni responsabilità.

AVVERTENZE PER LA SICUREZZA E PRECAUZIONI D'USO

1. Tutte le avvertenze, in particolare quelle relative alla sicurezza, devono essere lette con particolare attenzione, in quanto contengono importanti informazioni.

2. La linea diffusori (uscita dell'amplificatore) può avere una tensione sufficientemente alta (es. 100 V) da costituire un rischio di folgorazione per le persone: non procedere mai all'installazione o alla connessione del diffusore quando la linea è in tensione.

3. Assicurarsi che tutte le connessioni siano corrette e che la tensione d'ingresso del diffusore sia compatibile con le caratteristiche d'uscita dell'amplificatore.

4. Accertarsi che la linea diffusori non possa essere calpestata o schiacciata da oggetti, al fine di salvaguardarne la perfetta integrità.

5. Impedire che oggetti o liquidi entrino all'interno del prodotto, perché potrebbero causare un corto circuito.

6. Non eseguire sul prodotto interventi / modifiche / riparazioni se non quelle espressamente descritte sul manuale istruzioni.

Contattare centri di assistenza autorizzati o personale altamente qualificato quando:

- il diffusore non funziona (o funziona in modo anomalo);
- il cavo è danneggiato;
- oggetti o liquidi sono entrati nel diffusore;
- il diffusore non è più integro (a causa di urti / incendio).

7. Nel caso che dal diffusore provengano odori anomali o fumo, spegnere immediatamente l'amplificatore relativo alla linea e poi scollegare il diffusore.

8. Non collegare a questo diffusore apparecchi ed accessori non previsti.

Quando è prevista l'installazione sospesa, utilizzare solamente gli appositi punti di ancoraggio e non cercare di appendere il diffusore con elementi non idonei o previsti allo scopo.

Verificare inoltre l'idoneità del supporto (parete, soffitto, struttura ecc.) e dei componenti utilizzati per il fissaggio (tasselli, viti, staffe non fornite da RCF ecc.) che devono garantire la sicurezza dell'impianto / installazione nel tempo, anche considerando, ad esempio, vibrazioni meccaniche normalmente generate da un trasduttore.

IMPORTANTE

9. La RCF S.p.A. raccomanda vivamente che l'installazione di questo prodotto sia eseguita solamente da installatori professionali qualificati (oppure da ditte specializzate) in grado di farla correttamente e certificarla in accordo con le normative vigenti.

Tutto il sistema audio dovrà essere in conformità con le norme e le leggi vigenti in materia di impianti elettrici.

10. Vi sono numerosi fattori meccanici ed elettrici da considerare quando si installa un sistema audio professionale (oltre a quelli prettamente acustici, come la pressione sonora, gli angoli di copertura, la risposta in frequenza, ecc.).

11. Perdita dell'udito

L'esposizione ad elevati livelli sonori può provocare la perdita permanente dell'udito. Il livello di pressione acustica pericolosa per l'udito varia sensibilmente da persona a persona e dipende dalla durata dell'esposizione. Per evitare un'esposizione potenzialmente pericolosa ad elevati livelli di pressione acustica, è necessario che chiunque sia sottoposto a tali livelli utilizzi delle adeguate protezioni; quando si fa funzionare un trasduttore in grado di produrre elevati livelli sonori è necessario indossare dei tappi per orecchie o delle cuffie protettive.

Consultare i dati tecnici contenuti nel manuale istruzioni per conoscere la massima pressione sonora che il diffusore acustico è in grado di produrre.

12. I diffusori devono essere collegati in fase (corrispondenza delle polarità +/- tra amplificatori e diffusori) in modo da garantire una corretta riproduzione audio, soprattutto quando i diffusori sono collocati in posizione fra loro adiacente o nello stesso ambiente.

13. Per evitare che fenomeni induttivi diano luogo a ronzii, disturbi e compromettano il buon funzionamento dell'impianto, le linee diffusori non devono essere canalizzate insieme ai conduttori dell'energia elettrica, ai cavi microfonic, alle linee di segnale a basso livello che fanno capo ad amplificatori.

14. Il cavo per il collegamento del diffusore dovrà avere conduttori di sezione adeguata (possibilmente intrecciati, per minimizzare gli effetti induttivi dovuti all'accoppiamento con campi elettro-magnetici circostanti) ed un isolamento idoneo.

15. Collocare il diffusore lontano da fonti di calore.

16. Non usare solventi, alcool, benzina o altre sostanze volatili per la pulitura delle parti esterne.

RCF S.P.A. VI RINGRAZIA PER L'ACQUISTO DI QUESTO PRODOTTO, REALIZZATO IN MODO DA GARANTIRNE L'AFFIDABILITÀ E PRESTAZIONI ELEVATE.

DESCRIZIONE

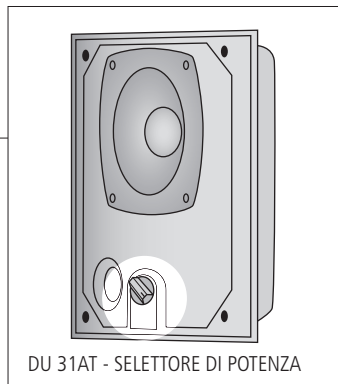


DU 31

Diffusore a 2 vie da incasso a parete adatto per la diffusione di annunci e musica di sottofondo.

DU 31AT

Diffusore DU 31 con selettore di potenza frontale (controllo di volume).



DU 31AT - SELETTORE DI POTENZA

A 1331

Coperchio posteriore per DU 31 / DU 31AT con accessori per l'installazione sporgente (singola o a coppie) e la predisposizione per la posa su tavolo.

INSTALLAZIONE



ATTENZIONE: l'installazione del diffusore deve essere effettuata da personale qualificato, rispettando gli standard di sicurezza. Eseguire un'installazione sicura del diffusore, controllando che la struttura di supporto (es. parete, soffitto, ecc.) abbia le necessarie caratteristiche meccaniche, tali da consentirgli di sopportare il peso del diffusore senza il pericolo di cadute che potrebbero compromettere l'incolumità di cose o persone. Utilizzare elementi di fissaggio adatti al tipo di struttura che deve sostenere il diffusore (es. tasselli per mattoni forati, tasselli per calcestruzzo, ecc.).

INSTALLAZIONE NELLA SCATOLA DA INCASSO

Il diffusore DU 31 / DU 31AT può essere direttamente fissato ad una scatola di derivazione da incasso per impianti elettrici (figura 1) tipo BTICINO® 16205 o equivalente, avente misure:

154 x 130 x 69 mm (interne) e 170 x 145 x 70 mm (esterne).

ATTENZIONE

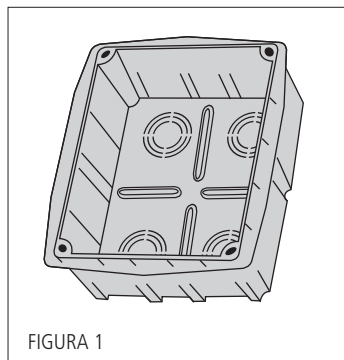


FIGURA 1

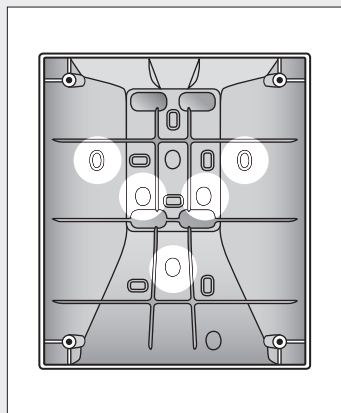
Il fissaggio si effettua tramite le 4 viti fornite con la scatola, forando il diffusore agli angoli (in corrispondenza dei fori della scatola; figura 2).

ACCESSORIO A 1331

Si tratta di un coperchio posteriore opzionale (con accessori) che permette una delle seguenti alternative:

- l'installazione sporgente a parete (dritta, inclinata od orientata) di un singolo diffusore DU 31 / DU 31AT;
- l'installazione di una coppia di diffusori;
- il posizionamento su tavolo.

Nei 4 angoli è possibile avvitare viti autofilettanti per il fissaggio del diffusore.



Il coperchio presenta 5 punti che possono essere forati per il passaggio del cavo.

Esempio: vista posteriore con foro centrale e gommino passacavo.

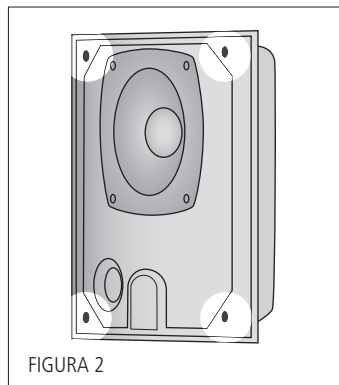
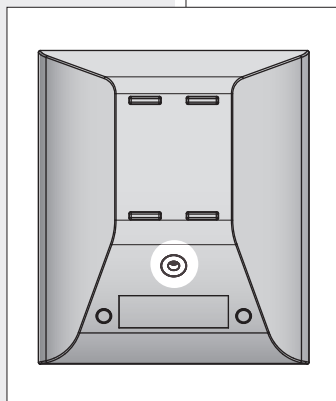
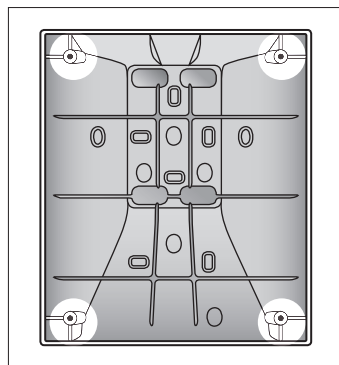
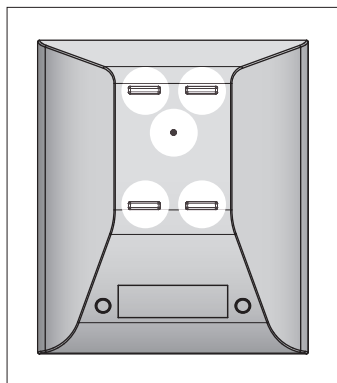


FIGURA 2



ACCESSORIO A 1331

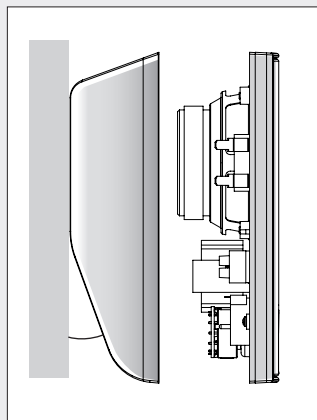
Sul retro, sono presenti 4 sedi per l'inserimento degli accessori a corredo e un punto per una vite autofilettante.



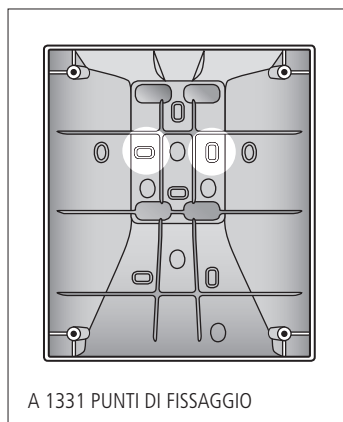
INSTALLAZIONE A PARETE CON A 1331

Predisporre il foro per il passaggio del cavo nel coperchio posteriore A 1331.

Installare il (solo) coperchio posteriore A 1331 alla parete tramite 2 tasselli con viti da 3,5 mm passanti nei 2 punti di fissaggio indicati.



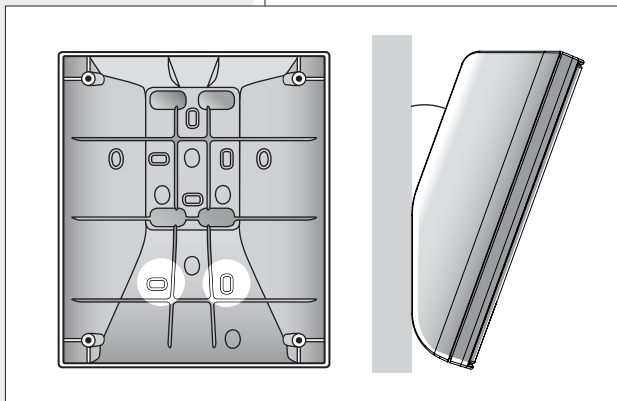
Rimuovere la griglia di protezione del diffusore DU 31 / DU 31AT facendo leva con un piccolo cacciavite. Collegare il cavo al diffusore (vedere la sezione "Collegamento" del manuale), poi fissare il diffusore al coperchio A 1331 tramite le 4 viti frontali. Riposizionare la griglia di protezione del diffusore.



A 1331 PUNTI DI FISSAGGIO

INSTALLAZIONE A PARETE CON A 1331

Come alternativa, è possibile installare il diffusore con una leggera inclinazione verso il basso, utilizzando i due punti di fissaggio sul lato obliquo.



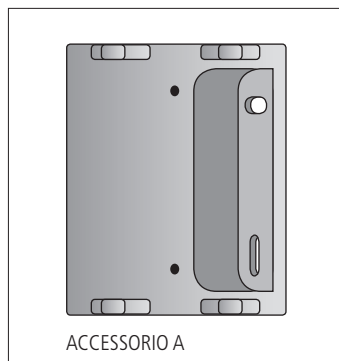
INSTALLAZIONE ANGOLATA A PARETE CON A 1331, SINGOLA E DI UNA COPPIA DI DIFFUSORI

A corredo del coperchio posteriore A 1331, è disponibile l'accessorio "A" che permette l'installazione del diffusore con un angolo orizzontale di 45°.

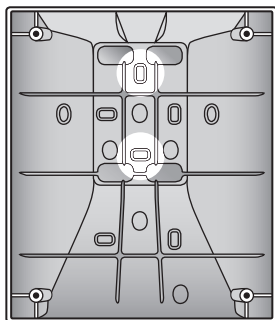
I 2 fori centrali dell'accessorio A permettono il fissaggio del coperchio posteriore A 1331 (tramite 2 viti autofilettanti da 3,5 mm), le 2 asole servono per montaggio a parete.

In sequenza:

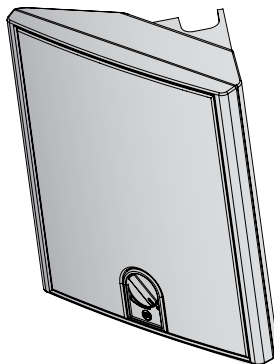
- installare l'accessorio "A" alla parete;
- predisporre il foro per il passaggio del cavo nel coperchio posteriore A 1331;
- fissare il coperchio posteriore A 1331 all'accessorio "A" tramite 2 viti autofilettanti di 3,5 mm;
- rimuovere la griglia di protezione del diffusore facendo leva con un piccolo cacciavite;
- collegare (vedere la sezione "Collegamento" del manuale) e montare il diffusore DU 31 al coperchio posteriore A 1331 tramite le 4 viti frontali;
- riposizionare la griglia di protezione del diffusore.



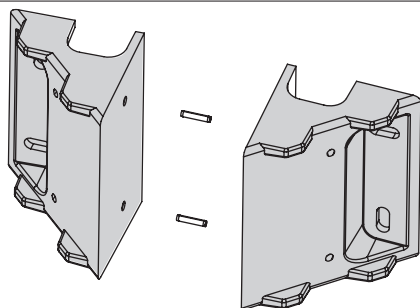
INSTALLAZIONE ANGOLATA A PARETE CON A 1331, SINGOLA E DI UNA COPPIA DI DIFFUSORI



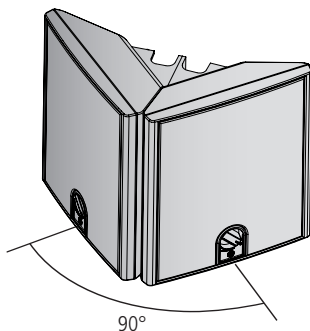
A 1331 PUNTI DI FISSAGGIO



2 accessori A uniti tra loro con 2 spine elastiche permettono l'installazione di una coppia di diffusori affiancati ed orientati (con un angolo tra i loro assi di 90°) in modo da coprire entrambe le direzioni.



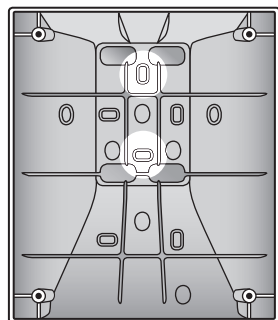
2 ACCESSORI A DA UNIRE CON 2 SPINE ELASTICHE



90°

In sequenza:

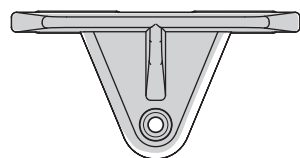
- unire 2 accessori "A" tramite le 2 spine elastiche a corredo;
- installare la coppia di accessori "A" alla parete;
- predisporre i fori per il passaggio del cavo nei coperchi posteriori A 1331;
- fissare i 2 coperchi posteriori A 1331 agli accessori "A", ciascuno tramite 2 viti autofilettanti di 3,5 mm;
- rimuovere le griglie di protezione dei diffusori facendo leva con un piccolo cacciavite;
- collegare (vedere la sezione "Collegamento" del manuale) e montare ciascun diffusore DU 31 al rispettivo coperchio posteriore A 1331 tramite le 4 viti frontali;
- riposizionare la griglie di protezione dei diffusori.



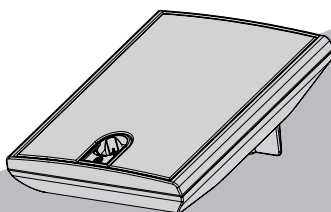
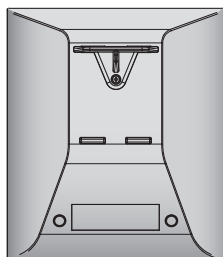
A 1331 PUNTI DI FISSAGGIO

DIFFUSORE (CON COPERCHIO POSTERIORE A 1331) POSIZIONATO SU TAVOLO

A corredo del coperchio posteriore A 1331, è disponibile l'accessorio "B" (da fissare sul retro tramite una vite autofilettante) che permette di posizionare un diffusore direttamente su un tavolo.



ACCESSORIO B



ATTENZIONE: per il collegamento del diffusore si raccomanda di rivolgersi a personale qualificato ed addestrato, ossia per sonale avente conoscenze tecniche o esperienza o istruzioni specifiche sufficienti per permettergli di realizzare correttamente le connessioni e prevenire i pericoli dell'elettricità. Per evitare il rischio di shock elettrici, non collegare il diffusore con l'amplificatore acceso.

Prima di far funzionare il diffusore, è buona norma ricontrollare tutte le connessioni, verificando in particolar modo che non vi siano dei cortocircuiti accidentali.

Tutto l'impianto di sonorizzazione dovrà essere realizzato in conformità con le norme e le leggi vigenti in materia di impianti elettrici.

MODELLO DU 31

Sul retro del diffusore è presente una morsetteria per il collegamento della linea a tensione costante 100 V proveniente dall'amplificatore, con la possibilità di scegliere la potenza tra 3 differenti valori (2 – 4 – 8 W);

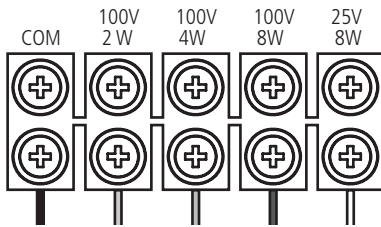
NOTA: UN EVENTUALE COLLEGAMENTO AD UN LINEA 70 V (ANZICHÉ 100 V), COMPORTA IL DIMEZZAMENTO DELLA POTENZA SELEZIONATA (1 – 2 – 4 W).

IL MORSETTO 25 V – 8 W (CORRISPONDENTE AD UN'IMPEDENZA D'INGRESSO DI 78 Ω) PERMETTE INVECE IL COLLEGAMENTO DEL DIFFUSORE (EVENTUALMENTE IN PARALLELO AD ALTRI DIFFUSORI, ANCHE LORO COLLEGATI TRAMITE L'INGRESSO 25 V – 8 W) AD UN AMPLIFICATORE CON USCITA A BASSA IMPEDENZA (SOLITAMENTE 4 – 8 Ω).

ATTENZIONE



MODELLO DU 31



TENSIONE	POTENZA	IMPEDENZA
- 100 V	2 W	5000 Ω
- 100 V	4 W	2500 Ω
- 100 V	8 W	1250 Ω
- 25 V	8 W	78 Ω

LINEA A TENSIONE COSTANTE 100 V:

Collegare il morsetto COM del diffusore alla linea che fa capo a quello dell'amplificatore contrassegnato con "0", "b" oppure "COM".

Scegliere uno dei terminali 100 V del diffusore (a seconda della potenza selezionata, tra 2 – 4 – 8 W) e collegarlo alla linea 100 V proveniente dall'amplificatore (morsetto contrassegnato con "100 V" o "a").

NOTA: NON COLLEGARE LA LINEA 100 V AL MORSETTO 25 V – 8 W DEL DIFFUSORE.

AMPLIFICATORE CON USCITA DIFFUSORI A BASSA IMPEDENZA (4 – 8 Ω):

Collegare il morsetto COM del diffusore all'uscita "–" dell'amplificatore.

Collegare il morsetto 25 V – 8W del diffusore all'uscita "+" dell'amplificatore.



MODELLO DU 31AT

Sul retro del diffusore è presente sia un morsetto 100 V per il collegamento della linea a tensione costante 100 V proveniente dall'amplificatore (n: un eventuale collegamento ad un linea 70 V comporta il dimezzamento della potenza), sia un morsetto 25 V per il collegamento del diffusore (eventualmente in parallelo ad altri diffusori, anche loro collegati tramite l'ingresso 25 V) ad un amplificatore con uscita a bassa impedenza (solitamente 4 – 8 Ω).

La selezione della potenza (impostazione del volume) si effettua tramite il commutatore posto sul lato frontale del diffusore.

LINEA A TENSIONE COSTANTE 100 V:

Collegare il morsetto COM del diffusore alla linea che fa capo a quello dell'amplificatore contrassegnato con "0", "b" oppure "COM". Collegare il morsetto 100 V del diffusore e collegarlo alla linea 100 V proveniente dall'amplificatore (morsetto contrassegnato con "100 V" o "a").

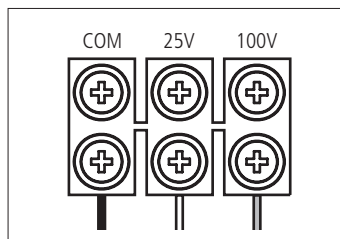
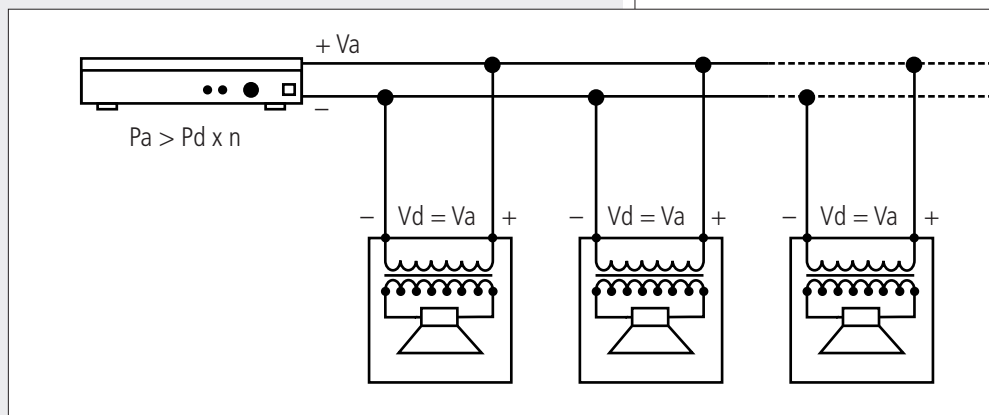
NOTA: NON COLLEGARE LA LINEA 100 V AL MORSETTO 25 V DEL DIFFUSORE.

AMPLIFICATORE CON USCITA DIFFUSORI A BASSA IMPEDENZA (4 – 8 Ω):

Collegare il morsetto COM del diffusore all'uscita "–" dell'amplificatore. Collegare il morsetto 25 V del diffusore all'uscita "+" dell'amplificatore.

NOTE SUI SISTEMI A TENSIONE COSTANTE

- La tensione d'ingresso del diffusore (V_d) deve corrispondere con la tensione d'uscita dell'amplificatore (V_a).
- La somma delle potenze nominali di tutti i diffusori ($P_d \times n$) collegati alla linea non deve superare quella dell'amplificatore (P_a).
- Per garantire una corretta riproduzione audio, effettuare il collegamento di tutti i diffusori "in fase".

MODELLO DU 31AT**LINEA A TENSIONE COSTANTE 100 V****AMPLIFICATORE CON USCITA DIFFUSORI****NOTE SUI SISTEMI A TENSIONE COSTANTE**

- Utilizzare dei cavi con conduttori aventi una sezione adeguata, considerando la loro lunghezza e la potenza complessiva dei diffusori.
- Per evitare che fenomeni induttivi diano luogo a ronzii, disturbi e compromettano il funzionamento del sistema, i cavi per i diffusori non devono essere canalizzati assieme ai conduttori dell'energia elettrica, ai cavi microfonici od altre linee.
- Per minimizzare gli effetti induttivi (ronzii) dovuti all'accoppiamento con campi elettromagnetici circostanti, utilizzare cavi con conduttori intrecciati.

NOTE SUI SISTEMI CON CONNESSIONE A BASSA IMPEDENZA

- L'impedenza totale dei diffusori non deve essere inferiore a quella d'uscita dell'amplificatore; nota: l'impedenza complessiva dei diffusori uguale a quella d'uscita dell'amplificatore permette l'erogazione della massima potenza (mentre un'impedenza superiore comporta una riduzione della potenza erogata).
- L'impedenza minima di ciascun diffusore DU 31 (o DU 31AT) è 78Ω (ingresso 25 V), pertanto l'impedenza complessiva di un gruppo di diffusori DU 31 collegati in parallelo (al morsetto 25V) è data dal valore 78Ω diviso per il numero di diffusori; esempio: 6 diffusori DU 31 posti in parallelo hanno un'impedenza complessiva di 13Ω .
- La somma delle potenze dei diffusori deve essere adeguata alla potenza massima erogabile dall'amplificatore.
- La lunghezza delle linee diffusori deve essere ridotta al minimo.



Tensione d'ingresso	100 – 25 V
Potenza	8 – 4 – 2 W (DU 31); max. 8 W selezionabile (DU 31AT)
Risposta in frequenza	100 Hz ÷ 17 kHz
Sensibilità	82 dB (1 m / 1 W)
Pressione sonora (8 W)	91 dB (1 m)
Altoparlanti	woofer 4" con tweeter piezoelettrico
Materiale del corpo	Polistirolo UL94HB
Griglia	Acciaio zincato verniciato, bianco grigiastro RAL 9002
Colore	Bianco grigiastro RAL 9002
Dimensioni (l, h, p)	151 mm, 175 mm, 56 mm
Peso netto	0,67 kg



www.rcfaudio.com

RCF SpA: Via Raffaello, 13 - 42124 Reggio Emilia > Italy
tel. +39 0522 274411 - fax +39 0522 274484 - e-mail: rcfservice@rcf.it