

# Installation Instructions

## 220V IR Plug & Play Salara by Draper

These Installation/Operating Instructions are available in the official language of the country where you purchase the product. Please contact your distributor to request a copy.

Vous pourriez demander les instructions d'installation et d'opération traduites dans la langue officielle du pays où vous achetez le produit. Veuillez demander à votre distributeur.

Die Gebrauchsanweisung für Installation und Konstruktion sind in der offiziellen Sprache des Landes, indem Sie das Produkt gekauft haben, vorhanden. Fragen Sie die jeweilige Verkaufs-Abteilung.

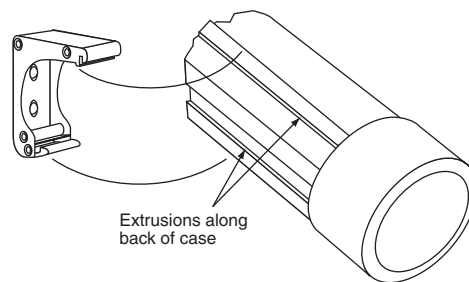


Figure 2

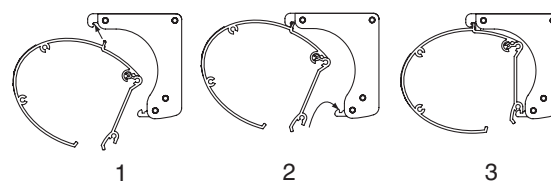


Figure 3

### Caution

- ① Read instructions through completely before proceeding.
- ② Follow instructions carefully. Installation contrary to instructions invalidates warranty.
- ③ Screen should be accessible for complete removal should fabric become damaged or should other service be required.
- ④ Screen should be installed level (using a carpenter's level).
- ⑤ Nothing should be fastened to screen dowel or viewing surface.
- ⑥ Operating switch (es) packed separately in screen carton. Do not discard with packing material.
- ⑦ Screen operates on 220V AC, 50 Hz., 1 ph. current.

**NOTE:** Screen has been thoroughly inspected and tested at factory and found to be operating properly prior to shipment.

### Wall/Ceiling Flush Mounting

- ① Attach Mounting Brackets to wall or ceiling (see Fig. 1). The installer should furnish screws, toggle bolts, molly bolts, nylon or lead anchors as required by the mounting surface. Installer also needs to ensure the mounting surface is reinforced sufficiently to support the screen. **Brackets must be level with each other.**

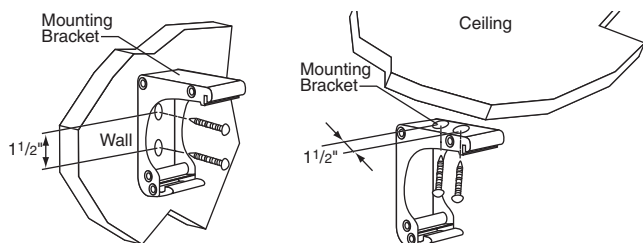


Figure 1

- ② Plug the power cord (included if ordered) into the motor end of the screen case (left end as the viewer sees the screen).
- ③ Attach the screen by snapping the extrusions on the back of the case onto the brackets. With the lower edge of the screen case tilted away from the wall, engage the rib on top of the case with the slot on each bracket. Slide the screen case along the brackets to adjust the screen location from left to right if necessary (see Fig. 2). Once the case is in position, pivot the case back toward the brackets until the lower edge of the case "snaps" into place with the spring-loaded latch (see Fig. 3).

### Electrical Connections

Screen operates on 220V AC, 50 Hz., 1 ph. current. Screen shipped with internal wiring complete. Junction box is located inside left endcap and cover plate is secured to endcap with one screw. Screen is shipped with internal wiring complete and control switch(es) fully boxed. No external wiring is needed, unless connecting to RS232. Plug cord into standard 220V AC outlet. **All operating switches should be "OFF" before power is connected.**

### Operation

Screen is equipped with a handheld remote or 3-position operating switch (see below). Three positions (up-off-down) permit operation to be stopped at any point. Factory adjusted limit switches automatically stop screen when fully down or fully up.

### Wiring/Control Options:

**Plug & Play™** — Provided with built-in IR receiver, handheld IR remote control transmitter and 10' (3m) IEC cordset. No wiring necessary except to connect to RS232.

### Adjustments

Screen has been factory set and should not normally require further adjustment. If you desire to change the "up" and "down" stopping positions, follow the procedures below.

There are two holes in the left end cap (as seen from audience) for both limit switch adjustments and neither is labeled. The hole closest to the audience is the up limit and the hole furthest from the audience is the down limit

**"Down" limit switch:** Down stopping position can be adjusted by turning knob furthest from audience with a screw driver or hex wrench. Turning knob counterclockwise will allow viewing surface to run farther down. Turning it clockwise will reduce the amount of exposed viewing surface.

**"Up" limit switch: You should never have to adjust this limit!** If you do, however, the Up stopping position can be adjusted by turning knob closest to audience with a screw driver or hex wrench through the small grommet. Turning knob counterclockwise will allow surface to run farther into screen case. Turning it clockwise will allow viewing surface to stop farther out of screen case.

**CAUTION:** Be sure all switches are in "off" position before adjusting limit switches. Always be prepared to shut screen off manually when new adjustment is being tested. Screen may be severely damaged if viewing surface is allowed to run too far up or too far down.

*Dimensional drawings on page 2*

# DRAPER

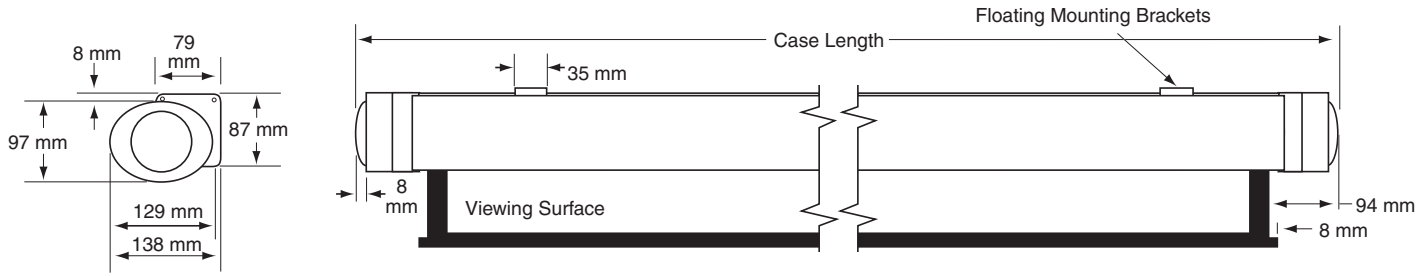
411 S. Pearl St., Spiceland, IN 47385 USA ■ 765-987-7999

www.draperinc.com ■ fax 765-987-1689

Copyright ©2007 Draper Inc. Form Salara-IRPlug&Play-220V\_Inst07 Printed in U.S.A.

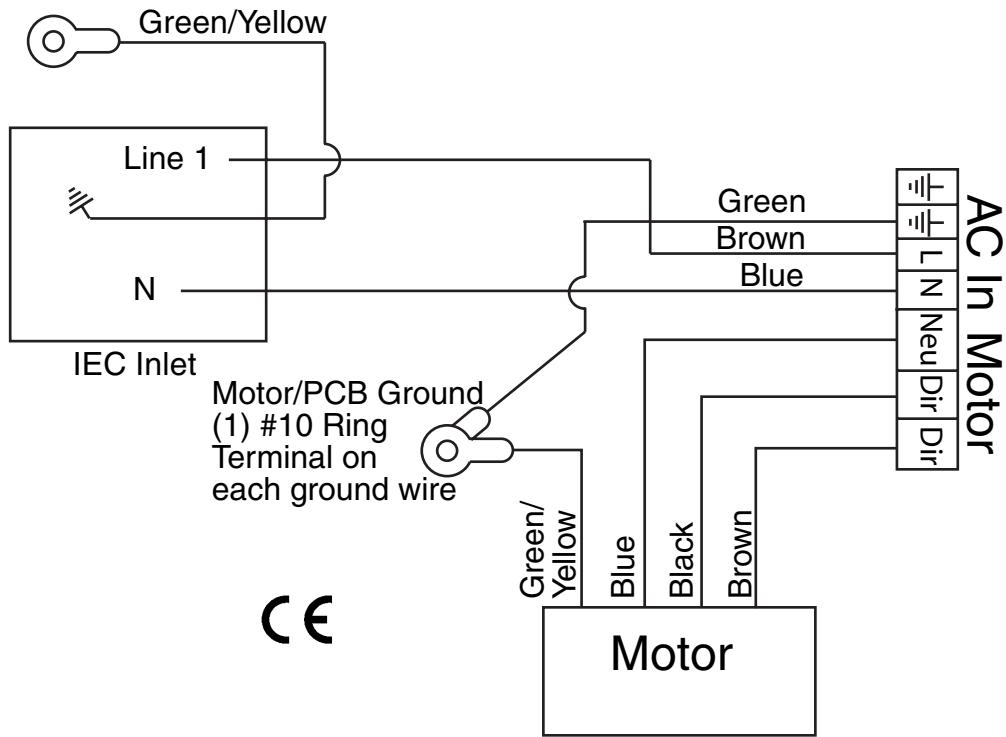
*If you encounter any difficulty installing or servicing your Salara, call your dealer or Draper, Inc., Spiceland, Indiana, (765) 987-7999 or fax (765) 987-7142.*

## Dimensions



## Wiring Diagrams

**Standard 220V AC IEC (no external wiring necessary)\***



*\*In some countries, the Salara will not have an IEC cord. A cord will need to be obtained locally.*