

G221

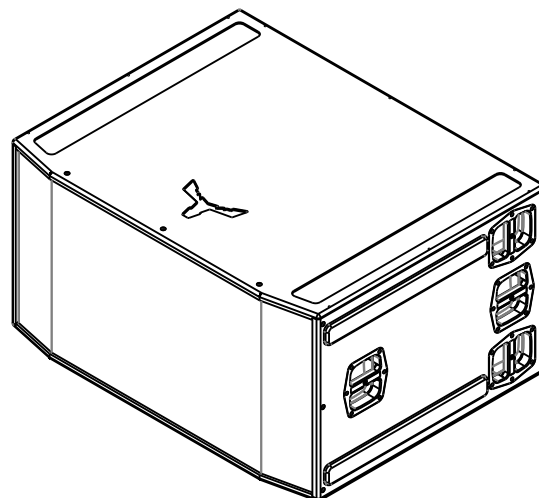
Presentation:

The BASS series offers a professional and compact passive and active subwoofers range becoming the perfect choice for sound reinforcement challenges demanding high SPL and natural sounding bass response designed to enhance the ultra-low bass of an existing PA system.

This G221 is built on a Bass Reflex design equipped with 2x 21" (4in) LF transducers capable of delivering 3400W AES (9600W peak), chosen to provide clean, undistorted low frequency reproduction at very high sound pressure levels and able to withstand high power levels without damage.

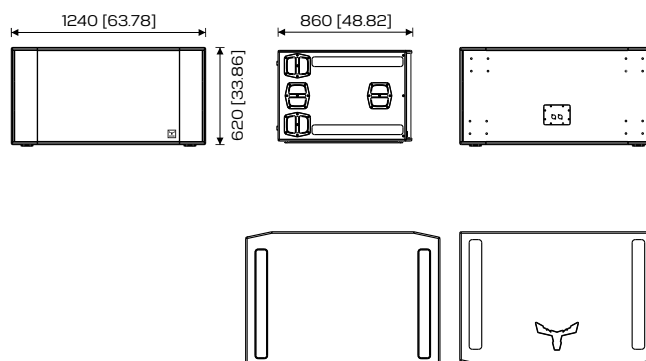
To ensure a perfect matching and avoid undesired vibrations during high SPL operation the enclosures are constructed in 18mm reinforced birch plywood with a rugged and durable polyurea coating.

The ergonomic carrying handles permit a secure grip from all sides and convenient transport and all models are prepared to accept 4 swivel castors with 16x M6 inserts on the back. Punch and bass sensation do not have to be incompatible factors and this BASS series truly is a great example.



Features:

- Reflex Loaded subwoofer
- 2x 21" (4in VC) LF EU transducer
- 3400W AES / 9600W Peak power
- 2x NL4 connected in parallel
- Versatile, compact and coherent subwoofer
- Made for an impact bass
- Recesses on the top to facilitate the stacking
- Rugged and durable 18mm birch plywood construction
- Powder coated custom perforated steel grille



Technical specifications:

Acoustical

Type	Compact passive subwoofer
Enclosure design	Bass Reflex
Power rating (RMS/Peak)	3400W / 9600W
Frequency range	25 - 150Hz (-10dB)
Nominal impedance	40hm
Transducer type	2x 21" LF (4in VC) EU transducer
Crossover frequency	25Hz Butterworth 18dB (Low cut filter)
SPL (1W/1kHz)	143dB @ 1m
Sensitivity	105dB
Connector	2x NL4, parallel-connected

Mechanical

Enclosure	18mm birch plywood, rugged polyurea coating
Grille	Custom perforated metal grilles w/ acoustic foam
Color	Black or white textured
Hardware	4 wooden feet, 4 side handles 4 swivel castors (optional)
Dimensions	Prepared for stacking 1240x620x860mm 63.78x33.86x48.82in
Weight	117Kg 257.94lb

Dimensions in mm [in]

