

ALLEN & HEATH



MixWizard WZ³ 20S

USER GUIDE

Publication AP6318

Limited One Year Warranty

This product is warranted to be free from defects in materials or workmanship for a period of one year from the date of purchase by the original owner.

To ensure a high level of performance and reliability for which this equipment has been designed and manufactured, read this User Guide before operating. In the event of a failure, notify and return the defective unit to ALLEN&HEATH Limited or its authorised agent as soon as possible for repair under warranty subject to the following conditions

Conditions Of Warranty

1. The equipment has been installed and operated in accordance with the instructions in this User Guide
2. The equipment has not been subject to misuse either intended or accidental, neglect, or alteration other than as described in the User Guide or Service Manual, or approved by ALLEN&HEATH.
3. Any necessary adjustment, alteration or repair has been carried out by ALLEN&HEATH or its authorised agent.
4. This warranty does not cover fader wear and tear.
5. The defective unit is to be returned carriage prepaid to ALLEN&HEATH or its authorised agent with proof of purchase.
6. Units returned should be packed to avoid transit damage.

In certain territories the terms may vary. Check with your ALLEN&HEATH agent for any additional warranty which may apply.



This product complies with the European Electromagnetic Compatibility directives 89/336/EEC & 92/31/EEC and the European Low Voltage Directives 73/23/EEC & 93/68/EEC.

This product has been tested to EN55103 Parts 1 & 2 1996 for use in Environments E1, E2, E3, and E4 to demonstrate compliance with the protection requirements in the European EMC directive 89/336/EEC. During some tests the specified performance figures of the product were affected. This is considered permissible and the product has been passed as acceptable for its intended use. Allen & Heath has a strict policy of ensuring all products are tested to the latest safety and EMC standards. Customers requiring more information about EMC and safety issues can contact Allen & Heath.

NOTE: Any changes or modifications to the console not approved by Allen & Heath could void the compliance of the console and therefore the users authority to operate it.

WZ³20S User Guide AP6318 Issue 1

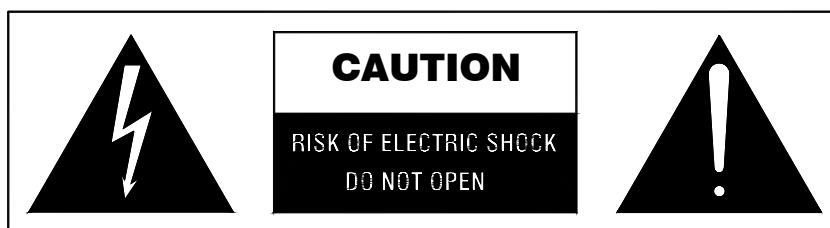
Copyright © 2005 Allen & Heath Limited. All rights reserved

ALLEN&HEATH Limited

Kernick Industrial Estate, Penryn, Cornwall, TR10 9LU, UK
<http://www.allen-heath.com>

Important Safety Instructions

WARNINGS - Read the following before proceeding :



ATTENTION: RISQUE DE CHOC ELECTRIQUE – NE PAS OUVRIR

- Read instructions:** Retain these safety and operating instructions for future reference. Adhere to all warnings printed here and on the console. Follow the operating instructions printed in this User Guide.
- Do not remove cover:** Operate the console with its covers correctly fitted. Disconnect mains power by unplugging the power cord if the cover needs to be removed for setting internal options. Refer this work to competent technical personnel only.
- Power sources:** Connect the console to a mains power unit only of the type described in this User Guide and marked on the rear panel. Use the power cord with sealed mains plug appropriate for your local mains supply as provided with the console. If the provided plug does not fit into your outlet consult your service agent for assistance.
- Power cord routing:** Route the power cord so that it is not likely to be walked on, stretched or pinched by items placed upon or against it.
- Grounding:** Do not defeat the grounding and polarisation means of the power cord plug. Do not remove or tamper with the ground connection in the power cord.



WARNING: This equipment must be earthed.

- Water and moisture:** To reduce the risk of fire or electric shock do not expose the console to rain or moisture or use it in damp or wet conditions. Do not place containers of liquids on it which might spill into any openings.
- Ventilation:** Do not obstruct the ventilation slots or position the console where the air flow required for ventilation is impeded. If the console is to be operated in a rack unit or flightcase ensure that it is constructed to allow adequate ventilation.
- Heat and vibration:** Do not locate the console in a place subject to excessive heat or direct sunlight as this could be a fire hazard. Locate the console away from any equipment which produces heat or causes excessive vibration.
- Servicing:** Switch off the equipment and unplug the power cord immediately if it is exposed to moisture, spilled liquid, objects fallen into the openings, the power cord or plug become damaged, during lightening storms, or if smoke, odour or noise is noticed. Refer servicing to qualified technical personnel only.
- Installation:** Install the console in accordance with the instructions printed in this User Guide. Do not connect the output of power amplifiers directly to the console. Use audio connectors and plugs only for their intended purpose.



Important Mains plug wiring instructions.

The console is supplied with a moulded mains plug fitted to the AC mains power lead. Follow the instructions below if the mains plug has to be replaced. The wires in the mains lead are coloured in accordance with the following code:

TERMINAL		WIRE COLOUR	
		European	USA/Canada
L	LIVE	BROWN	BLACK
N	NEUTRAL	BLUE	WHITE
E	EARTH GND	GREEN & YELLOW	GREEN

The wire which is coloured Green and Yellow must be connected to the terminal in the plug which is marked with the letter E or with the Earth symbol. **This appliance must be earthed.**

The wire which is coloured Blue must be connected to the terminal in the plug which is marked with the letter N.

The wire which is coloured Brown must be connected to the terminal in the plug which is marked with the letter L.

Ensure that these colour codes are followed carefully in the event of the plug being changed.

General Precautions

- Damage :** To prevent damage to the controls and cosmetics avoid placing heavy objects on the control surface, scratching the surface with sharp objects, or rough handling and vibration.
- Environment :** Protect from excessive dirt, dust, heat and vibration when operating and storing. Avoid tobacco ash, smoke, drinks spillage, and exposure to rain and moisture. If the console becomes wet, switch off and remove mains power immediately. Allow to dry out thoroughly before using again.
- Cleaning :** Avoid the use of chemicals, abrasives or solvents. The control panel is best cleaned with a soft brush and dry lint-free cloth. The faders, switches and potentiometers are lubricated for life. The use of electrical lubricants on these parts is not recommended. The fader and potentiometer knobs may be removed for cleaning with a warm soapy solution. Rinse and allow to dry fully before refitting them.
- Transporting :** The console may be transported as a free-standing unit or mounted in a rack or flightcase. Protect the controls from damage during transit. Use adequate packing if you need to ship the unit.
- Hearing :** To avoid damage to your hearing do not operate any sound system at excessively high volume. This also applies to any close-to-ear monitoring such as headphones. Continued exposure to high volume sound can cause frequency selective or wide range hearing loss.



Introduction

Welcome to the Allen & Heath **WZ³20S**, one of the latest generation of the popular **MixWizard** series of compact audio mixing consoles. We have tried to keep this user guide brief and to the point. Please read it fully before starting. Included is information on installing, connecting and operating the console, panel drawings, system block diagram and technical specification. For further information on the basic principles of audio system engineering, please refer to one of the specialist publications and resources available from bookshops, audio equipment dealers and the Internet.

Whilst we believe the information in this guide to be reliable we do not assume responsibility for inaccuracies. We also reserve the right to make changes in the interest of further product development.

We are able to offer further product support through our world-wide network of approved dealers and service agents. You can also access our Web site on the Internet for information on our full product range, our company pedigree, assistance with your technical queries, our contact details or simply to chat about matters audio. To help us provide the most efficient service please keep a record of your console serial number, and date and place of purchase to be quoted in any communication regarding this product.

www.allen-heath.com

Contents

Warranty	2	EQ curves	15
General Precautions.....	4	Stereo Input Channel.....	17
Introduction to this Guide.....	5	EXT1 and EXT2 Inputs.....	18
Front Panel Layout	6	Master Section.....	19
Introducing the MixWizard	7	AB Output	20
Installing the Console.....	8	Gain Structure.....	21
Connecting Power	9	Application Notes	22
Connecting a Backup Supply	9	Specifications	24
Connector Pinouts and Cables	10	Part Numbers.....	25
Audio Connections.....	11	System Block Diagram.....	26
Connector Panel Layouts.....	12	User Options – Channel Cards	28
Console Connectors	13	Sys-Link V2 Option	29
Wiring Inserts.....	13	User Options – AB Relay switch.....	30
Mono Input Channel.....	15	Cue Sheet	31

Introducing the MixWizard

The Allen & Heath MixWizard series of consoles includes several models. This user guide describes the stereo input **WZ³20S** model. The **WZ³16:2**, **WZ³12:2** and **WZ³14:4:2** consoles are described in separate publications. For further information on the MixWizard series please refer to the Allen & Heath web site.



The MixWizard **WZ³20S** is a compact console designed for professional live sound and general purpose mixing. It is built to the same high standards as our top of the range consoles, with individual circuit cards, potentiometers nutted to the panel for absolute strength, steel chassis, and no compromise circuit design ensuring the finest sonic performance.

The **WZ³20S** provides 4 mono mic/line channels, 8 full feature dual stereo input channels and 2 stereo return inputs, a total of 44 connections and 22 sources to the mix. It provides a compact solution for mixing many stereo sources, for example small broadcast studios, keyboard or effects sub mixing or studio production. The two stereo inputs feeding each strip mix together into the channel, or may be split so that one feeds the channel and the other routes directly to the main mix.



All channels feature a 4 band EQ (semi-parametric with high pass filter on the mic/line channels) and 6 aux sends with combinations of pre/post switching and 100mm faders. Also featured are a dedicated mono output with separate fader and innovative operating mode for aux fed sub systems, additional AB stereo output, comprehensive metering and engineers monitoring, dual redundant backup supply input, and a lamp socket.

The console can be operated free standing or in a 19" rack or flightcase. It is supplied with protective side trims fitted. These can be removed for rack mounting. The rear connector pod can be easily rotated for rear facing or underside connectors when rack mounted.

The base of the console can be removed to access a host of internal option jumpers. These set user preference for the aux, direct output and AB sources. The AB output features a relay which can be wired to a switch to isolate its output, for example to mute a studio monitor when its local mic channel is live.

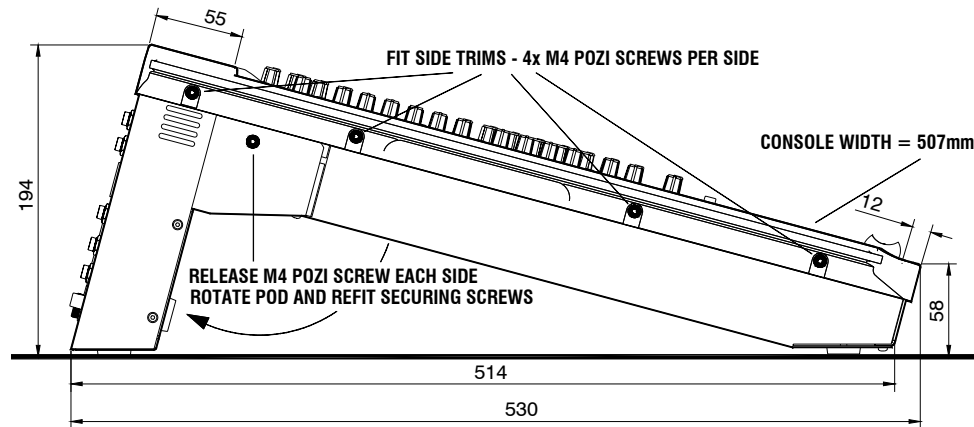
The aux outputs are impedance balanced but may be electronically balanced if required by fitting an optional part. A kit is also available to fit the optional Sys-Link II output card which allows the console to be linked to other Allen & Heath consoles. Replacement faders with fitted switches are available for fader start and mic live mute applications.

Other accessories available include the Allen & Heath MPS12 backup power supply and LED lamp gooseneck lamp with built-in dimmer.

Installing the Console

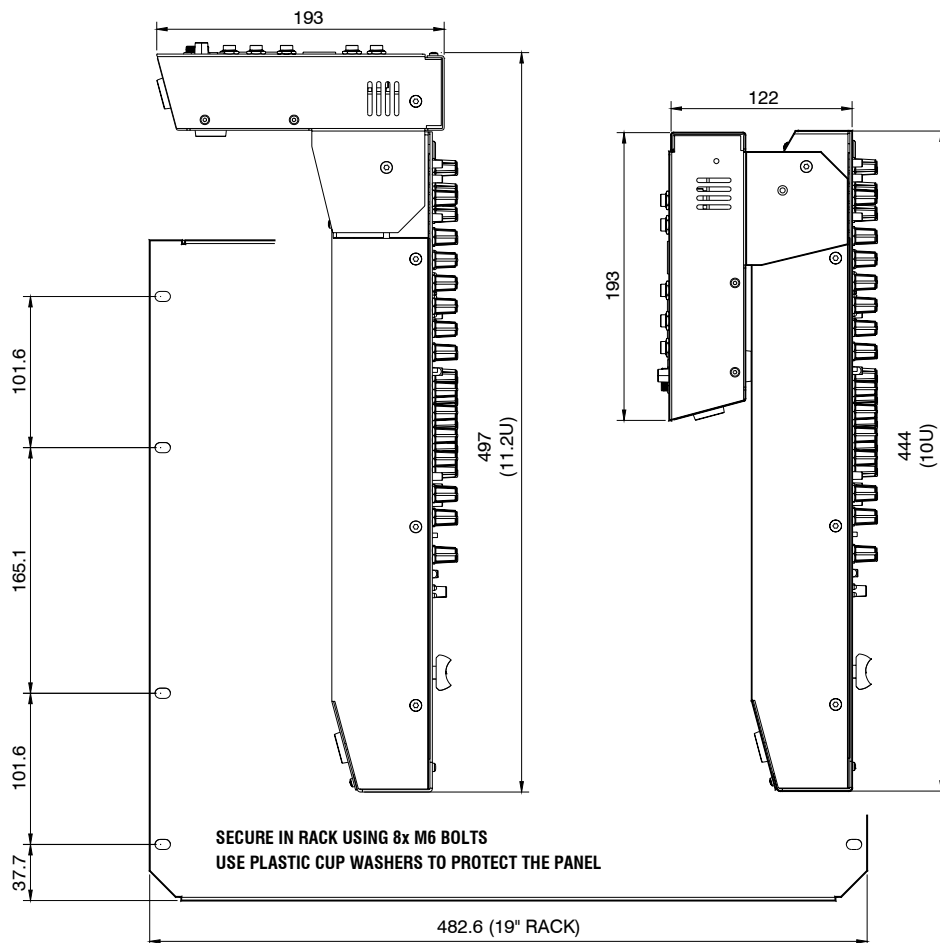
Free Standing

The console is supplied ready for free standing operation with its side trims fitted and connector pod positioned for rear access. If you are converting from rack to free standing then make sure the pod is correctly rotated and secured, and the side trims fitted as shown below:



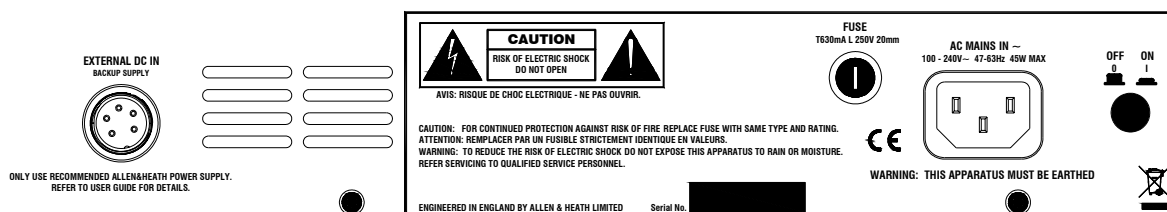
19" Rack Mount

For rack mounting, remove the two side trims and rotate the pod into the connector position preferred. Allow enough space for the cables and connectors behind the console.



Do not transport the console with its connector pod securing screws removed. Do not attempt to remove the connector pod from the console. Do not obstruct the ventilation slots. Allow adequate space around the console for air flow. If the side-trims are to be removed, do not re-fit the (2x M4x10 and 6x M4x8) fixing screws to the unit. Please retain and store these screws in case the side-trims need to be re-fitted in the future.

Connecting Power



Read and understand the **Important Safety Instructions** printed at the start of this guide, and the warnings printed on the rear of the console. Check that your local mains supply is within the 100-240V operating voltage range allowed. Check that the correct mains lead with moulded plug has been supplied with your console. Make sure that the IEC mains plug is pressed fully into the panel socket before switching on.

Grounding

The connection to ground in an audio system is important for two reasons:



1. **SAFETY** - To protect the operator from high voltage electric shock, and
2. **AUDIO PERFORMANCE** - To minimise the effect of ground (earth) loops which result in audible hum and buzz, and to shield the audio signals from interference.

For safety it is important that all equipment grounds are connected to mains ground so that exposed metal parts are prevented from carrying high voltage which can injure or even kill the operator. Do not disconnect the ground connection in the mains lead. It is recommended that the system engineer check the continuity of the safety ground from all points in the system including microphone bodies, turntable chassis, equipment cases, rack metalwork and so on.

Switching the console on and off

It is good practice to turn power amplifiers off before switching the console and any other connected equipment on or off. This prevents any unexpected clicks or thumps when the equipment is powered up.



Turn amplifiers and powered speakers on last and off first.

To turn the console on, press the ON/OFF switch next to the IEC mains input socket. To turn the console off, press this switch again.

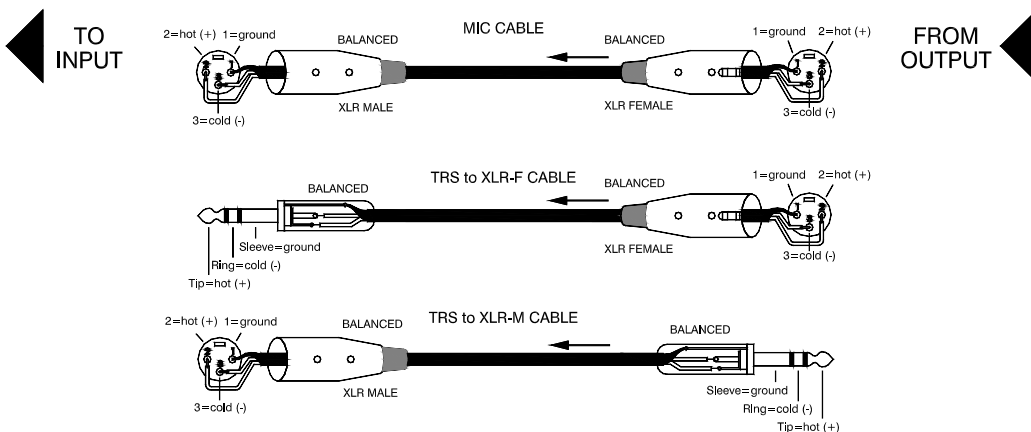
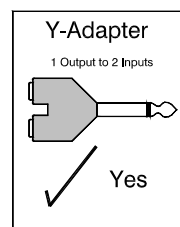
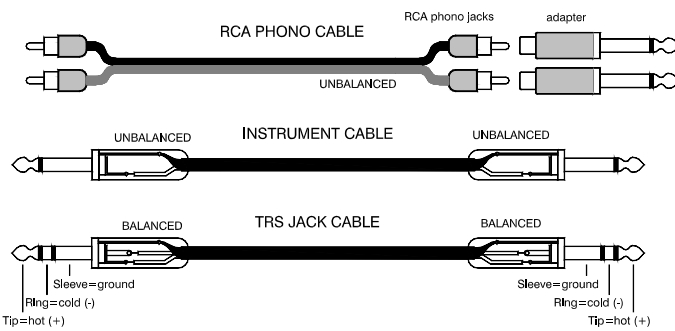
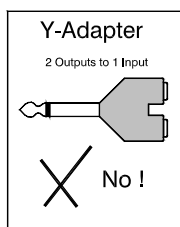
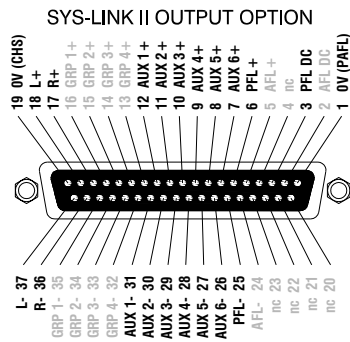
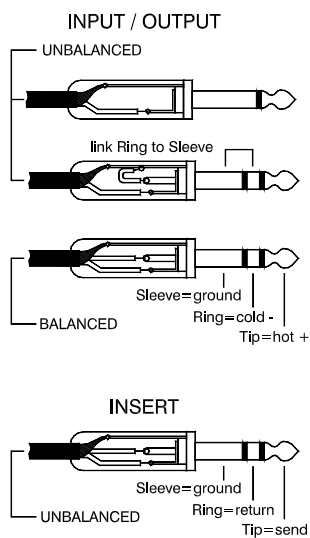
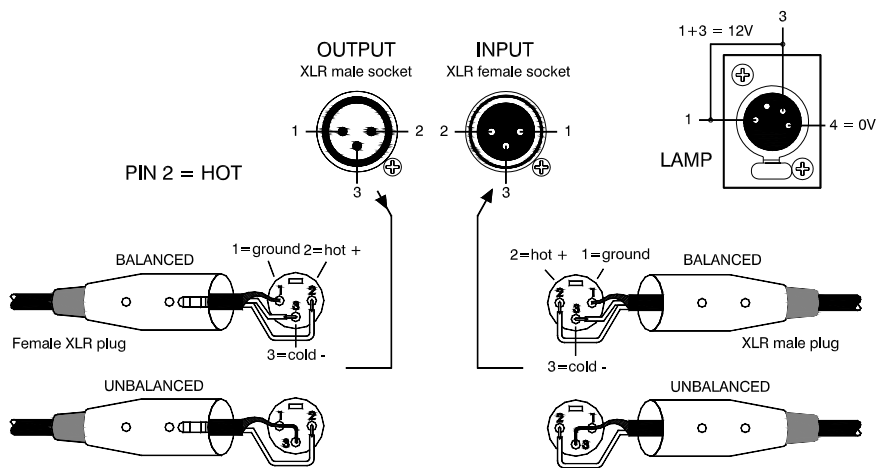
Connecting a backup supply

A socket is included for plugging in an optional backup power supply. This provides the reassurance of power supply dual redundancy, a feature usually found only in expensive top end consoles. The console uses diode combining technology so that both supplies can be powered at the same time. One will automatically take over should the other stop working. The recommended backup supply for the MixWizard is the Allen & Heath **MPS12** power unit. Refer to the user guide which comes with this supply.



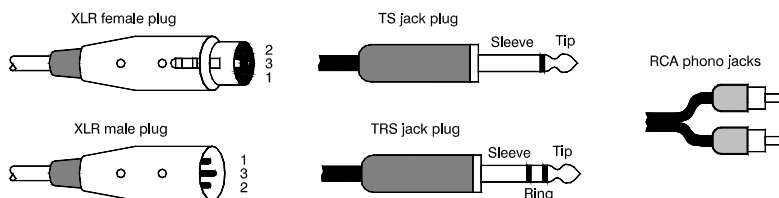
Only plug the recommended Allen & Heath power unit into this socket. Do not attempt to modify any other power unit to work with the console. Do not attempt to modify or extend the DC power cable that comes with the supply.

The console can work with just the internal supply powered by mains, or just the backup supply, or with both powered at the same time. To ensure uninterrupted performance in the unlikely event of a failure, we recommended that both supplies are powered.



Audio Connections

The MixWizard uses professional grade 3 pin XLR and 1/4" TRS (3 pole) jack sockets. To ensure best performance, we recommend that you use high quality audio cables and connectors, and take time to check for reliable and accurate cable assembly. It is well known that most audio system problems are due to faulty or sub standard interconnecting leads. The following mating plugs may be used to connect audio signals to the console:



Avoid reversing + and - on balanced connections as this will result in reversed polarity (out of phase) signals which may cause signal cancellation effects.

Where long cables runs are required, balanced interconnections should be used. However, line level interconnections between more affordable 2-wire (signal, ground) unbalanced equipment and the console are unlikely to cause problems if the cables are kept shorter than 10 meters or so. Refer to the wiring diagrams on the opposite page.

Dealing with Ground Loops, Buzz and Interference

For optimum performance all audio signals should be referenced to a solid, noise-free ground (earth) point, frequently referred to as the 'star point' or 'clean earth'.

A ground loop is created when potential differences exist between grounds at different points in the system, and the signal has more than one path to ground. In most cases ground loops do not result in audible problems. Should you experience hum or buzz caused by a ground loop, check first that each piece of equipment has its own separate path to ground. If so, operate ground lift switches on connected equipment in accordance with the instruction manuals. Alternatively disconnect the cable screen at the destination end only. This breaks the offending loop while keeping the signal shielding down the length of cable.



WARNING For operator safety do not remove the ground (earth) connection in the power lead of the console or connected equipment.

To avoid interference pickup keep audio cables away from mains power units and cables, thyristor dimmer units, computer equipment and mobile phones. Where this cannot be avoided, cross the cables at right angles to minimise interference

A note about balanced connections

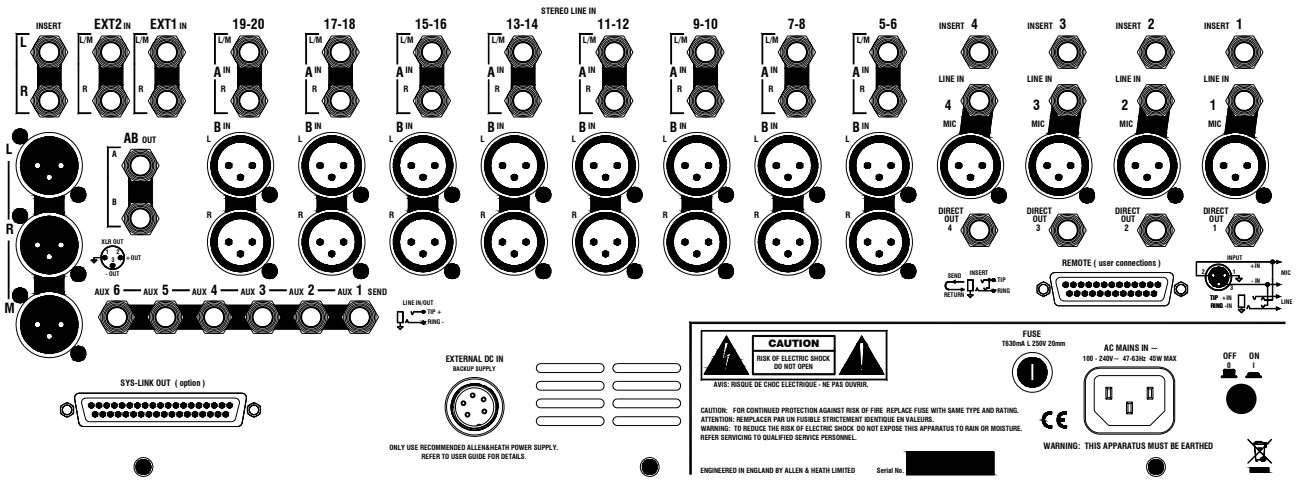


A differentially balanced connection has two signal wires, signal + (hot) and signal - (cold) and a shield. The signal source generates positive going polarity down the + wire and negative polarity down the - wire. The destination input stage accepts the + signal on its non-inverting (+) input pin, but it inverts the - signal, adding it to the + signal. The result is that the wanted signal is boosted. Now examine what happens when unwanted interference (hum and noise) is induced into the cable. The noise is induced equally and with the same polarity into both wires. At the destination input the - wire signal gets inverted and added to the + signal. Because the polarity is the same on both input wires the noise cancels itself out at this input. For this interference rejection to work it is important that the source, the cable and the destination input are all balanced. Balancing provides greatest advantage with low level signals such as those produced by microphones.

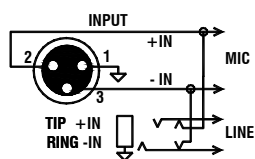
An impedance balanced output provides similar interference rejection, but without the signal drive on the - wire. It does not generate a negative polarity signal at its - output. Instead, the - wire has no signal but is held at the same impedance as the + wire. This means that both wires pick up the noise equally resulting in cancellation as described above.

ALLEN&HEATH

MixWizard WZ³20S

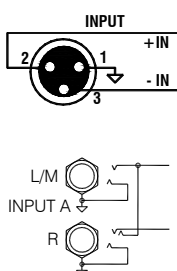


The Console Connectors



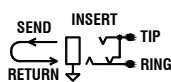
MIC / LINE IN The channel PAD (LINE) switch selects either the MIC XLR or the LINE TRS jack as the input source. The XLR is normalled through the TRS jack. This means that the XLR can be used for microphone or line level signals when nothing is plugged into the jack socket. Both inputs are balanced but can be wired to work with unbalanced signals when required.

⚠ WARNING: Do not connect unbalanced sources or cables to the XLR input when 48V phantom power is selected. To avoid loud clicks always turn the channel off by pressing MUTE when switching +48V on or off, and when plugging or unplugging cables.

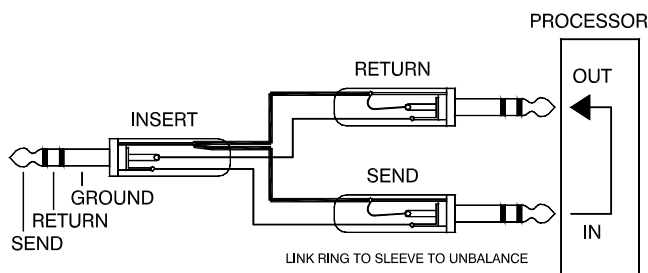


STEREO LINE IN The WZ³20S has two stereo inputs for each of the eight dual stereo channels. The **A** inputs are on unbalanced TRS jacks, the **B** inputs are on balanced XLR. The L/M jack input is normalled through the R connection so that a mono source can be used when nothing is plugged into the R jack socket.

EXT 1 and 2 LINE IN An additional two stereo returns are provided; EXT1 (balanced) and EXT2 (unbalanced) using TRS jacks. Unbalanced inputs automatically connect the TRS ring to ground for working with balanced sources. The L input is normalled through the R input to accept mono signals.



INSERT A single 3-pole TRS jack carries the unbalanced mic/line insert signal. Tip = send, Ring = return, Sleeve = common ground. The channel insert is post-HPF, pre-EQ and operates at 0dBu. The LR mix insert is pre-fader and operates at -2dBu. These should work fine with line level signal processing equipment such as compressors, outboard EQ, delay units and so on. An example of a suitable cable is shown here:



DIRECT OUTPUT The mic/line channel direct output is available on an impedance balanced TRS jack. It is a line level signal operating at 0dBu. The source is set using an internal option jumper for each channel. The factory default setting is pre-fade (following the pre/post-EQ setting). This may be changed to post-fade if preferred.

The direct outputs provide a useful source for multitrack recording. Many users prefer pre-fade sends for this application so that the live show fader movements do not affect the recording which can be mixed later. Another application is channel effects sends. For example, a reverb unit may be dedicated to work with the lead vocalist channel only. Using a post-fade direct output instead of an aux send frees up that aux mix for other purposes.

L, R, M OUT The main console mix outputs are on balanced XLR. These produce +4dBu when the meters read '0'. The M output can be switched to provide a mono sum of the post-fade L and R signals, or the AUX6 output.

The L and R outputs typically feed a master console or house PA system in live sound mixing, or a 2-track recorder in studio mixing. In mono mode, the M output can provide an additional feed for a mono recording, fill speaker or zone, or be used as a mono sub mix feed into a master console or PA. Used with a mono PA the L and R mix can provide a pair of subgroups, each with routing using the channel PAN controls, inserts and faders. Configured to provide the AUX6 mix, the M output is ideal for driving a sub bass speaker system when working with an 'aux fed subs' PA. This provides the sub feed with its own per-channel mix on balanced XLR and with dedicated fader alongside the main LR faders for proper control of the house volume.

AB OUT A pair of impedance balanced TRS jacks can be configured to provide an additional LR mix or engineers monitor send. These operate at -2dBu line level. A front panel recessed 'mode' switch determines the source to the AB output. This may be set to follow the console monitor system and therefore feed an independent local stereo monitor or even engineer's wedge speaker. When set to follow the LR mix, the factory default source is taken post LR fader. An internal option jumper is available to change this to pre LR fader. A switch option is available to isolate these outputs using built-in relays, for example for mic live 'on-air' lamp switching.

The unique AB output feature provides the MixWizard with a host of possibilities... independent 2-track recording feed, broadcast feed, studio booth monitor, zone and delay fill feeds, local monitor, engineers wedge monitor and more.

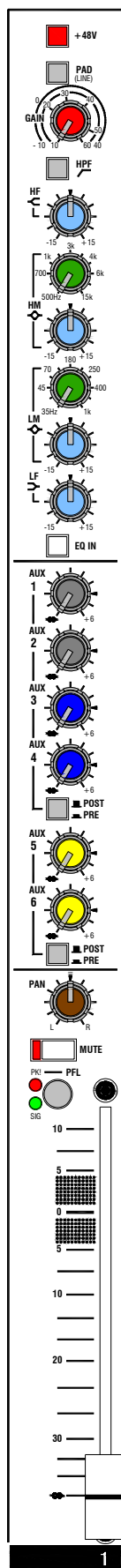
AUX OUT 1-6 Each aux send is available on an impedance balanced TRS jack operating at -2dBu line level. An internal option is available to fit a balanced line driver IC to provide an electronically balanced output operating at +4dBu. Note that it is not usual to require this option as the impedance balanced standard drive provides significant interference rejection when feeding balanced equipment inputs.

The aux sends are typically used to feed stage monitors, effects devices such as reverb and delay, sub mixing to another console, and for special mix requirements.

SYS-LINK II OPTION A blank plate is fitted here as standard. The Sys-Link II output option kit is available from Allen & Heath. This lets the **WZ³20S** become a 'slave' console expanding the number of inputs on another 'master' console using just one connecting cable. Refer to OPTIONS later in this guide.

REMOTE (USER CONNECTIONS) A blank plate is fitted here as standard. A 25-pin D-type connector may be fitted here and custom wired, for example to interconnect the fader start switching option or for remote switching of the AB output relay.

The MONO Input Channel



+48V Switches +48VDC to the channel input XLR for powering microphones or DI boxes that need phantom power. The power is current limited through 6k8 ohm resistors to pins 2 and 3.

WARNING: Do not connect unbalanced sources or cables to inputs with phantom power selected. To avoid loud clicks always mute the channel before switching +48V on or off and when plugging or unplugging microphones.

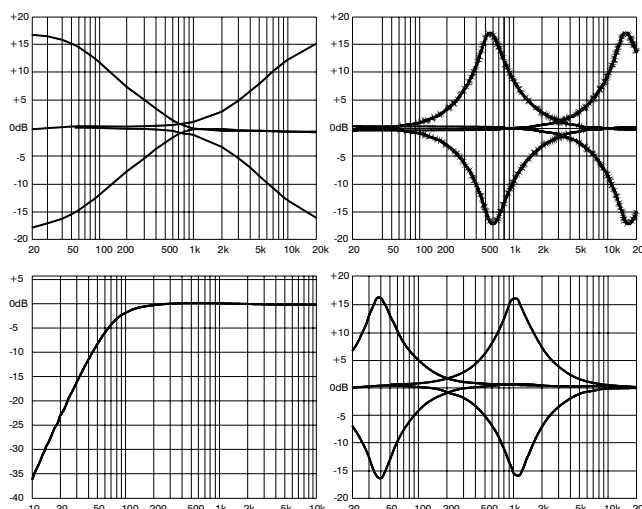
PAD (LINE) Press this switch to select the channel TRS jack LINE input. Release the switch to select the XLR MIC input. The XLR normals through the TRS socket. With nothing plugged into the line input the switch therefore becomes a PAD for the mic XLR. It attenuates the input signal by 20dB for connection to high level microphone or line sources up to +30dBu.

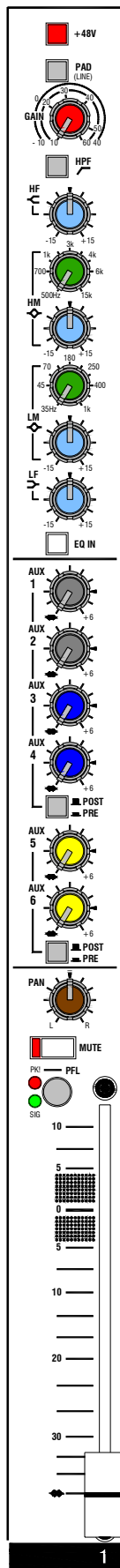
GAIN Adjusts the input sensitivity to match the connected source to the internal 0dBu operating level of the channel. Provides a variable 50dB range from +10 to +60dB gain (mic), or -10 to +40dB (line, pad selected). The gain should be set using PFL so that the console meters average '0' with loudest moments lighting '+6'. Reduce gain if the red peak indicator lights.

HPF Switches in the channel high pass filter. This attenuates frequencies below 80Hz by 12dB per octave. The filter is pre-insert, pre-EQ. Select the HPF to reduce low frequency noise such as microp hone popping, stage noise and tape transport rumble.

EQ A 4-band semi parametric EQ provides independent control of four frequency bands. HF and LF are shelving filters which affect high frequencies above 12kHz, and low frequencies below 80Hz respectively. HM and LM are bell shaped peak/dip filters which affect frequencies around a centre point which can be swept from 500Hz to 15kHz and 35Hz to 1kHz respectively. These have a width (Q) of 1.8. All bands can be boosted or cut by up to 15dB and have a centre detent 0dB position.

Check for the best microphone selection and placement before using the EQ. Start with the EQ set flat and apply only as much boost or cut as is really needed. When dealing with problem frequencies cut rather than boost where possible.





AUX SENDS These rotary controls adjust how much channel signal is mixed to the aux outputs. Each of the 6 auxes has its own control. They adjust from fully off to +6dB boost. Unity gain 0dB is marked at 3 o'clock position. Auxes 1-4, 5-6 are switched pre/post. These settings may be changed if preferred by repositioning internal jumper link options. They offer many different combinations of pre and post-fade sends, and a post-EQ option for the pre-fade sends. More detail is provided in OPTIONS later in this guide.

Pre-fade aux sends are not affected by the channel fader movements. These are typically used to feed stage monitors. In most cases users also prefer that the monitor sends are not affected by inserted processors or the channel EQ. Post-fade aux sends follow the channel faders and are typically used to send a proportion of the channel signal to an effects device such as reverb or delay. Note that post-fade sends may be preferred when the console is configured in monitor mode so that the faders become 'masters' for all monitor mixes. Pre or post-fade sends may also be used for special applications such as recording, zone feeds, clean feeds and aux fed subs.

PRE When pressed, the pre-fade channel signal is sent to the associated auxes. When released, the post-fade signal is sent. Auxes 1 to 4 and 5, 6 are grouped for pre/post switching. You can change this by repositioning the internal option jumpers.

PAN Positions the channel signal between L and R in the stereo mix. The centre position (mono image) is detented for quick resetting.

MUTE When pressed the channel signal is turned off. This affects the feed to the LR mix, pre and post-fade aux sends and direct output, but does not affect the insert send. The red indicator lights when the channel is muted.

PFL Press PFL to listen to the pre-fade channel signal in the headphones or AB monitor (if configured) without affecting the main outputs. The console main LR meters are interrupted with the channel signal. The red PK indicator half lights to show that PFL has been selected on that channel. Selecting more than one PFL at the same time mixes those signals together in the monitor.

PEAK The red indicator illuminates when the channel pre-fade signal is within 5dB of clipping. This gives you enough warning to reduce the GAIN control before you hear signal distortion.

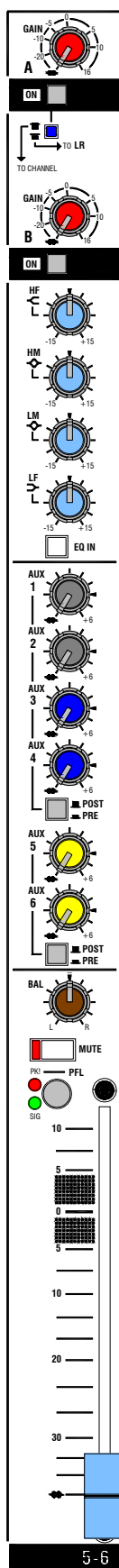
SIGNAL The green signal presence indicator lights when the channel pre-fade signal is greater than -12dBu.

FADER Controls the channel level feeding the main LR mix and post-fade aux sends. It also affects the direct output if this has been set to post-fade using the internal option jumpers. The fader provides +10dB maximum boost above its normal unity gain 0dB position.

A switched fader option is available. This replaces the standard channel fader with a high quality dual rail Alps K-fader with fitted micro-switch for on-air lamp or equipment start switching. See OPTIONS.

Important note on setting channel levels: Use PFL to set the GAIN controls for correct signal level through each channel. Use the faders to balance each signal in the mix. These are typically operated around their -20 to 0 positions according to the mix. We do not recommend setting the faders to '0' and mixing using the GAIN controls.

The STEREO Input Channel



Dual stereo inputs Each of the eight stereo channels has two stereo inputs which can be used separately, mixed together or split so that one feeds the channel, the other routes direct to LR. For example, you could mix two sound effects playback devices or two reverb returns together into one channel. This can be useful in saving channels, letting you mix many inputs in a small space. The L input signal normals through the R input socket so that a mono source may be plugged in to feed both left and right sides of the stereo channel.

A Unbalanced TRS inputs. The GAIN control adjusts from fully off to +16dB gain. Press the ON switch to turn the input on.

Routing mode switch Recessed switch to prevent accidental operation. In the normal up position the **A** signal mixes with the **B** signal into the stereo channel. When pressed the **A** signal is routed direct to the LR mix instead of the channel. This lets you use these inputs as simple stereo returns in addition to the full stereo channels, providing another eight independent stereo sources to the LR mix.

B Balanced XLR inputs. The GAIN control adjusts from fully off to +16dB gain. Press the ON switch to turn the input on. These inputs always feed the stereo channels.

EQ A 4-band fixed frequency EQ provides independent control of four frequency bands. HF and LF are shelving filters which affect high frequencies above 12kHz, and low frequencies below 80Hz respectively. HM and LM are bell shaped peak/dip filters which affect frequencies centred around 2.5kHz and 250Hz respectively. These have a width (Q) of 1.8. All bands can be boosted or cut by up to 15dB and have a centre detented 0dB position.

AUX SENDS These work as described for the mono channel. The L and R sides of the stereo signal sum together to feed each aux in mono. This can be changed using an internal jumper option so that L feeds auxes 1,3 and R feeds auxes 2,4.

BAL Balances the level of the L signal against the R signal to compensate for differences in the source signal, or to position the signal within the stereo image. The centre equal level position is detented for quick resetting.

MUTE When pressed the channel signal is turned off. This affects the feed to the LR mix, and pre and post-fade aux sends. The red indicator lights when the channel is muted.

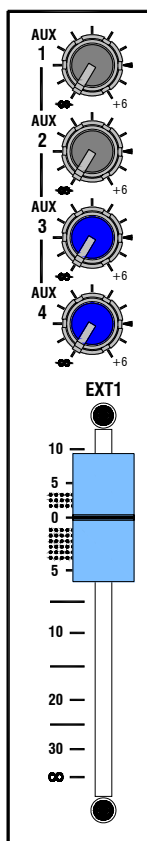
PFL Press PFL to listen to the summed L+R pre-fade channel signal in the headphones or AB monitor (if configured) without affecting the main outputs. The console main LR meters are interrupted with the channel signal. The red PK indicator half lights to show that PFL has been selected on that channel.

PEAK The red indicator illuminates when the channel pre-fade signal is within 5dB of clipping. This gives you enough warning to reduce the GAIN control before you hear signal distortion.

SIGNAL The green signal presence indicator lights when the channel pre-fade signal is greater than -12dBu.

The EXT1 and EXT2 Inputs

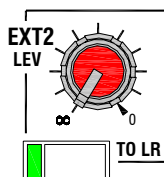
The **WZ³20S** provides two additional stereo inputs for signals such as effects returns, sub mix sources, sound effects and CD players. EXT1 features a fader and independent sends to auxes 1 to 4. EXT2 is a simple input that routes direct to the LR mix through the TO LR switch.



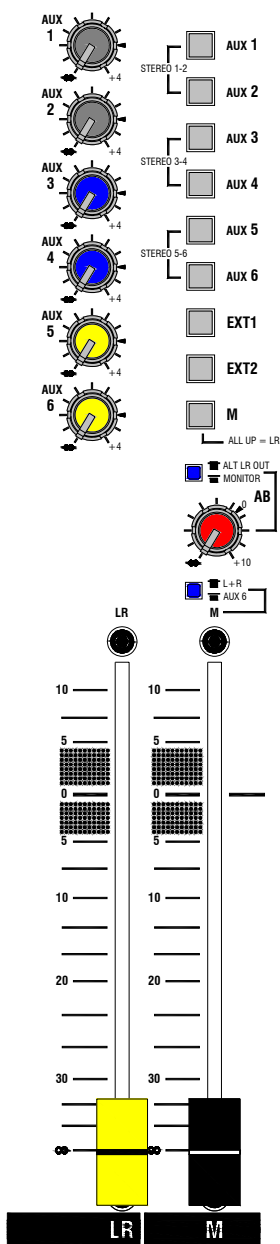
EXT1 AUX SENDS The signal can be routed to Auxes 1 to 4. These sends are not affected by the EXT1 fader which returns the signal to the LR mix. The stereo signal is summed to feed the auxes in mono. This can be changed if preferred by repositioning internal jumper options so that L feeds auxes 1,3, and R feeds auxes 2,4. Use the aux sends to feed these signals to the monitors if required, for example to add some reverb from an effects return.

EXT1 FADER Routes the stereo signal to the main LR mix. Adjust from fully off to +10dB maximum boost.

EXT2 RETURN This is a simple stereo return channel that routes to the main LR mix. The typical application is to plug in a CD or similar playback device for walk-in or background music. It can also be used as an additional effects return or stereo source. Adjust the volume using the LEV control. Route the signal to LR by pressing the TO LR switch. The green LED lights to warn that the source is routed to LR.



You can use the EXT2 input to monitor your 2-track recording. Press the EXT2 monitor source select switch. Use the AB output to feed your recorder. If you are monitoring while mixing live, make sure you do not accidentally press the TO LR switch and route your recording to the house speakers.



AUX MASTERS Each aux mix has a master level control that adjusts the output level to match external equipment, or to trim the monitor, effect or other send without affecting the mix balance. Up to +4dB boost is available above the normal 0dB position.

LR FADER MASTER This 100mm stereo fader adjusts the main L-R mix level. It provides +10dB boost above the nominal '0' position. For best performance the fader should be operated around the '0' position for normal 'loud' level. If you find yourself operating significantly below '0' then the amplifier or other destination equipment is too sensitive for the console +4dBu output. Simply turn down the amplifier or equipment level trim. If none is available then insert an attenuator pad between the console and connected equipment. Operating the fader well below '0' may degrade the noise performance of the equipment.

M FADER MASTER A recessed mode switch above the M fader selects the fader source.

Mono master To use the M output as an L+R summed mono feed then select the up position. The fader can become the master level controller for a mono PA, mono fill or delay speaker, additional zone, mono recording and so on.

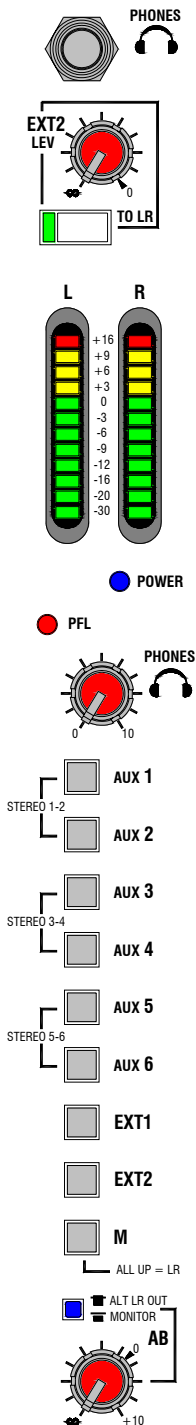
Aux master To use the M output as the AUX6 master press the switch using a pen or pointed object. Use the post-fade AUX6 channel sends to mix the required signals to the M output. This provides a main console output with its own mix bus. Typical applications include:

Dedicated MONO mix The output feeds a centre mono fill speaker system, for example above the proscenium arch or along the front of the stage in a theatre. You may wish to feed just a few of the sources to these speakers, for example just the radio mic channels for front row clarity. Using the aux send allows you to create the required mix balance and have proper master fader control.

Aux fed subs This increasingly popular application drives the sub bass speakers with their own mix. It lets you send only those sources with wanted low frequency information to the sub speakers. It can dramatically clean up the mix as non-bass channels such as vocals and guitars are kept out of the subs and therefore do not allow low frequency pickup to muddy the mix. It is typical to include only sources such as kick drum, bass guitar, keyboards and sound effects to these speakers.



The unique MixWizard aux mode feature puts the master control of the sub mix on to a fader next to the main LR fader. This means that the house volume can be controlled without upsetting the balance between LR and sub speakers. The feed to the sub speaker system is on balanced XLR, and it can be monitored by selecting the M switch in the headphones monitor section.



AB OUTPUT This is an additional stereo output that can be configured as a separately controlled mix output or a local loudspeaker monitor send. A recessed mode switch above the AB level control selects the source. Use a pen or pointed object to change the setting. Adjust the output level from fully off to a maximum +10dB boost. The normal 0dB position is marked on the panel.

With the mode switch in its up position, the LR mix is selected as the source to the AB output TRS jacks. Factory default setting is post-LR fader. If preferred you can change this to pre-LR fader by repositioning internal option jumpers so that the LR master fader movements do not affect the output. In LR mode the AB output provides an additional main mix output ideal for independent fill speaker control, 2-track recording, broadcast feed, booth monitor and so on.

With the mode switch pressed, the console monitor system is selected as the source. You can use this to feed local monitor speakers to listen to the source selected on the monitor switch bank interrupted by PFL. Local speaker monitoring can be useful in theatre and stage monitoring applications.

AB output relay The AB output routes to its TRS connectors through a relay which is normally switched on. A remote switch may be wired to solder pads on the connector circuit card to switch the relay off and isolate the output. One application is for a broadcast studio where a booth monitor should be muted when its local mic is live. In this case the relay would be wired to a micro-switch on the mic channel fader. For external switching, the relay could be wired to pins on the REMOTE (user) port on the rear panel.

Console Monitor Comprehensive engineer's headphones monitoring is provided. Select the source to listen to using the monitor switch bank. With no switch pressed the post-fade LR mix is monitored. Press M to listen to the post-fade M source. Pressing any switch higher up the bank overrides the previous selection. Pressing Aux pairs 1-2, 3-4, 5-6 together listens to the two selected auxes as a stereo pair. The two console meters display the selected monitor source signal level.

Pressing channel PFL switches automatically overrides the current monitor selection with the pre-fade signal from that channel or selection of channels. The red PFL active indicator lights and the console meters display the channel signal.

We recommend you use closed ear headphones in the range 30 to 600 ohms designed for live sound monitoring. Headphones around 100 ohms impedance are a popular choice.

▲ WARNING: To avoid damage to your hearing do not operate any close-to-ear monitoring such as headphones for long periods at high volume. Continued exposure to high volume sound can cause frequency selective or wide range hearing loss.

Gain Structure



How the levels between the different signal stages are set up is referred to as the gain structure. For best performance it is important that the connected source signals are matched to the 'normal operating level' of the console. Similarly the levels of the connected amplifiers and destination equipment should be correctly matched to the console outputs. If set too high then the signal peaks will be clipped resulting in distortion, and if set too low then the signal-to-noise performance will be degraded resulting in excessive background hiss and noise.

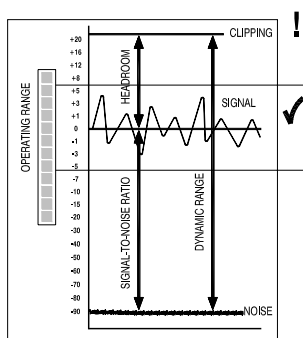
Using the Meters The MixWizard provides metering of inputs and outputs. For best results operate the console with the main meters averaging around '0' allowing the loudest moments to reach '+6'. Reduce the channel gain settings if the red peak indicators start to flash. Note that the peak indicators light 5dB before actual clipping to warn that you are nearing distortion and should reduce gain. The LED bar meters have a 'quasi-peak' response with fast attack and slow release so that fast musical transients are accurately displayed.

Matching a Source to the Console Start by turning down the channel fader and send levels to prevent unexpected loud volumes reaching the main speakers and monitors. Using PFL, adjust the GAIN control for an average '0' reading on the console meters. These automatically switch to show the channel pre-fade signal when PFL is pressed. Listen to the signal using headphones or local AB monitor. Once the channel gain is correctly set you can raise the levels to bring the channel into the mix. Note that you may need to adjust the gain if you make significant changes to the EQ. Make sure that any equipment inserted into the channel is set to operate around 0dBu line level. First set the gain with inserted signal processors such as compressors switched to bypass.

Matching the Console to Destination Equipment The console produces a standard XLR output level of +4dBu for a meter reading of '0'. It can produce a maximum of +26dBu which is more than is usually required and therefore gives you plenty of headroom. If you are connecting to a sensitive power amplifier it is advisable to turn down its input trim control if the normal console level is too high. Simply turning down the console output faders degrades the output stage noise performance and reduces the resolution of the fader movement. The output faders are best operated around '-10' to '0' for loudest average volume required. This allows additional headroom if you need it.

Terminology The normal operating level is the optimum signal level for best console performance, indicated by '0' meter readings and resulting in the +4dBu XLR output level. The channels operate at 0dBu and the mix stages at -2dBu for extended headroom. Headroom is the extra level available above normal to allow for loud peaks before the signal becomes clipped resulting in audible distortion. The signal-to-noise ratio (SNR) is the difference measured in dB between normal level and residual noise floor (hiss) produced by the console electronics. The dynamic range is the sum of headroom and SNR representing the maximum signal range possible from quietest to loudest.

Final word... A little care with setting gain structure throughout the signal chain will give you the best performance and most manageable control of the mix.



WZ³20S Application Notes

The **WZ³20S** is well suited to many high performance live, recording and installed sound applications including multi source stereo mixing, multi output sub mixing, club systems, small broadcast, production mixing... and more. The following notes present suggestions for these applications. Of course, you may find different or better ways to suit the particular requirements of your application.

Mixing Many Stereo Sources

There are many situations where you need to mix multiple stereo sources for example keyboards, MIDI synthesisers, voice modules, sound cards, samplers, outboard mic preamps, effects processors, CD, vinyl, DAT, MiniDisc, new media players and recorders, stereo recorded tracks.

Dual stereo inputs You can connect two stereo sources to each channel and switch between them or mix them together as required. Inputs A and B have independent gain control so that the balance can be set as required. You do not need to reset the gain each time you switch the inputs. You also have the convenience of selecting either the TRS jack or XLR connections as appropriate rather than using cable adapters.

Split stereo inputs The two stereo inputs feeding each stereo channel may be split so that input B feeds the channel and input A routes direct to the LR mix. This provides independent control for up to 16 stereo sources. For example, tape returns, MIDI voice modules and other pre-processed sources can route in this way leaving the channels available for additional sources needing EQ and processing.

External stereo inputs The two additional EXT inputs increase the number of stereo inputs to 18. You still have the four mono channels for microphone or line level inputs. The EXT inputs are typically used to return the processed signal from effects devices such as reverb, or to plug in a sub mixer.

Signal processing All channels provide 4 band EQ for creative or corrective equalisation. The six AUX sends provide plenty of outputs for effects, monitors, mono or stereo sub mixes and special feeds. The effects can be returned to the EXT or dual stereo channels. For example, two stereo reverbs could be combined into one stereo channel. The mono channels and main outputs provide inserts for patching in additional signal processors such as compressors or effects dedicated to individual sources.

Production and Recording

The number of inputs and processing power together with the sonic purity of analogue sound make the **WZ³20S** well suited to professional recording and program production.

Inputs Connect up to 4 microphones and 16 stereo line sources plus 2 smono or stereo effects returns. For multitrack recording you can connect up to 16 track returns to the 8 stereo channels. You can use either mono or stereo channels to connect to outboard mic preamps, increasingly common in the studio.

Outputs The stereo LR, mono M and secondary stereo AB outputs can feed independent recording devices. This is useful when recording translations and voiceovers.

Multi Output Submixing

The **WZ³20S** is built to the same high standard as top end consoles used in major live sound applications. Its all steel construction, together with individual circuit cards, make it ideal as a professional sidecar to the FOH console. It provides a versatile 4 mono, 8 dual stereo format for sub mixing a wide variety of sources. Typical applications include on-stage stereo keyboard mixing, and sub mixing effects returns to the main FOH console.

Balanced inputs Use the stereo B input XLR sockets when connecting to long stage cable runs. This reduces interference pickup. Select +48V for any microphones that require phantom power.

Mono and stereo sub mix feeds to FOH Aux sends 1-4 let you create up to four mono or two independent stereo mixes to feed the main console. The aux pairs 1-2 and 3-4 may be configured for mono or stereo operation by setting internal jumper plugs. See OPTIONS. For example, you could provide two stereo keyboard mixes for more flexible FOH mixing. Alternatively, you could use the **WZ³20S** for two independent sub mixing tasks. The aux outputs are available on impedance balanced TRS jacks able to directly feed a professional multi-core to console system. An electronic balance option is available if required.

Musician's monitor The stereo LR and mono M outputs could be used for a musicians local monitor. If this is the case, set aux sends 1-4 to PRE-fade so that the sub mixes to FOH are not affected by the local fader movements. Additional sources such as ambience or a monitor mix from FOH could be mixed into the local monitor using spare channels. Aux sends 1-4 should be turned down on these channels. Auxes 5 and 6 may be used for local reverb and effects. The musician could use the console headphones or local wedge speakers as the monitor. Note that sub mixes to FOH created using auxes 1-4 may be checked in mono or stereo by pressing the related one or two switches in the monitor master.

Single cable sub mixer Fitting the optional SYS-LINK V2 output expander card provides a single cable local connection to the main console. The LR and AUX outputs as well as the PFL system are linked to the related circuits when connecting to another ALLEN & HEATH console fitted with SYS-LINK.

Installation convenience Rotate and fix the connector pod as required for flight case, desktop or rack mounting. It is usual to install the effects or stage sub mixer in a rack system together with the processing equipment.

Outside Broadcast

The WZ20S provides a compact rack mountable solution for remote broadcast telecast or recording.

Inputs Up to 4 announcer or ambient microphones can be directly connected with individual phantom power selection. The input stage provides a very wide dynamic range, particularly important during event commentating. Use the stereo inputs for camera, tape or effect sources, mix minus or host feeds, inputs from sub mixers, stereo microphone preamps and so on.

Outputs The LR, M and aux outputs can provide independent broadcast feeds, for example 'effect' only (ambient pick up) and 'effect + announcer' feeds. This is useful where the ambient sound is recorded for later voiceover dubbing, such as news report preparation.

Monitoring In addition to the headphones, use AB as the local monitor feed to the location booth speakers. All sources can be independently checked and metered. Use the EXT inputs for dedicated monitor returns such as off-air and recording. The AB relay option can be used for remote mute switching.

Specifications

Performance

Maximum output level	XLR	+26dBu into 600 ohms max load
	Jack	+21dBu into 2k ohm max load
Internal headroom	Channels	+21dB
	Mix	+23dB
Meters	3 colour LED, quasi peak response	
Sensitivity	0VU = +4dBu at XLR output	
Master meters	12 segment	-30 to +16dB
Channel meters	2 segment	-12, +16dB (5dB before clip)
Frequency response	20Hz to 50kHz	+/-0.5dB
THD+n at +10dBu 1kHz	Channel to mix out < 0.004%	
Crosstalk at 1kHz	Fader shutoff	>90dB
	Channel mute	>100dB
	Inter channel	>90dB
Noise, rms 22Hz to 22kHz	Mic EIN	-128dB
	Residual output noise	< -95dBu (-99dB S/N)
	LR unity fader mix noise	< -83dBu (-87dB S/N)
Channel HPF	12dB/octave below 80Hz	
Mono EQ	HF	Shelving, +/-15dB, 12kHz
	HM	Peak/dip, +/-15dB, 500Hz to 15kHz, Q=1.8
	LM	Peak/dip, +/-15dB, 35Hz to 1kHz, Q=1.8
	LF	Shelving, +/-15dB, 80Hz
Stereo EQ	HF	Shelving, +/-15dB, 12kHz
	HM	Peak/dip, +/-15dB, 2.5kHz, Q=1.8
	LM	Peak/dip, +/-15dB, 250Hz, Q=1.8
	LF	Shelving, +/-15dB, 80Hz
Power supply	Internal	100-240V, 50/60Hz auto sensing, IEC input
	External Input	for optional MPS12 backup supply
	Power consumption	35W max
	Mains fuse	T630mA L 20mm

Mechanical

Free standing dimensions	W 507 (20") x D 530 (20.9") x H 194 (7.7")	
Rack mounted Underside connectors	W 483 (19") x D 122 (4.8") x H 444 (17.5") 10U	
Rack mounted Rear connectors	W 483 (19") x D 193 (7.6") x H 497 (19.6") 11.2U	
Weight	10kg (22lbs)	

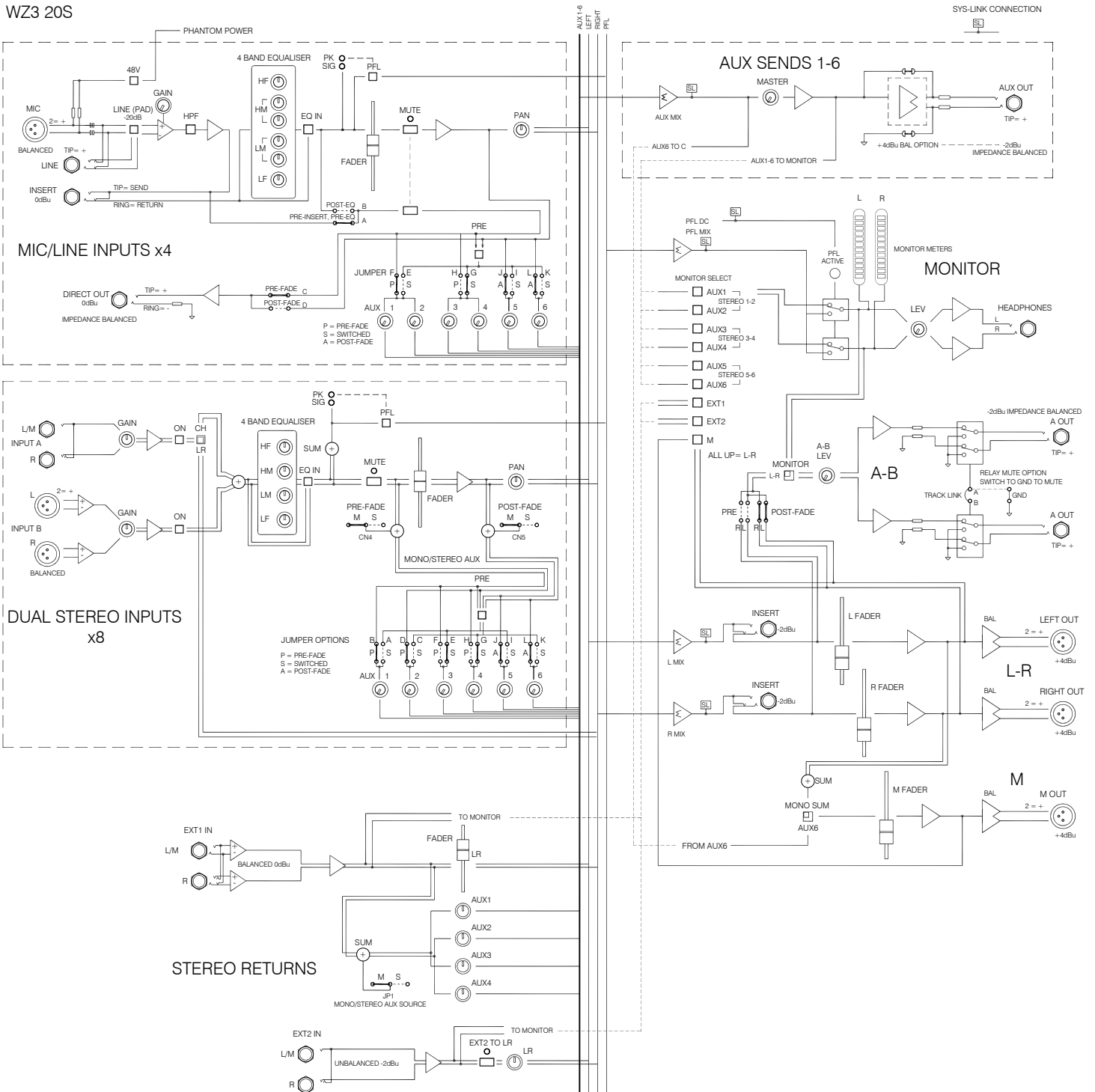
Connections

Mono channel	XLR balanced pin 2 hot	Sensitivity -60 to +10dBu
	TRS balanced, tip hot	Sensitivity -40 to +10dBu
	Pad out (MIC)	2k ohm
	Pad in (MIC or LINE)	>10k ohm, -20dB
	Max input level	+30dBu
	XLR phantom power	+48V, on/off
Stereo channel	A TRS unbalanced	>10k ohm, -16 to +20dBu
	B XLR balanced	>10k ohm, -16 to +20dBu
Stereo returns	EXT1 TRS balanced	>10k ohm, -6 to +20dBu
	EXT2 TRS unbalanced	>2k ohm, -2 to +20dBu
Inserts	Channel	TRS, tip send, ring return, 0dBu
	Output	TRS, tip send, ring return, -2dBu
L, R, M outputs	XLR balanced pin 2 hot	<75 ohm, +4dBu, +26dBu max
Aux 1-6 output	TRS impedance balanced	<75 ohm, -2dBu, +21dBu max
	Electronic balance option	<75 ohm, +4dBu, +26dBu max
Direct out	TRS impedance balanced	<75 ohm, 0dBu, +21dBu max
AB out	TRS impedance balanced	<75 ohm, -2dBu, +21dBu max
	Relay isolate user option	
Headphones	TRS, tip L, ring R, 30 to 600 ohm headphones recommended	
Lamp	4-pin XLR	max 12V 5W lamp

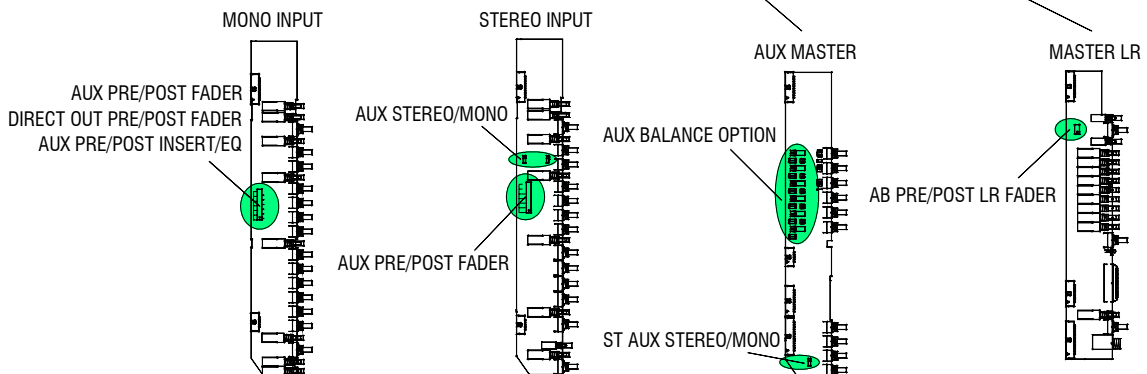
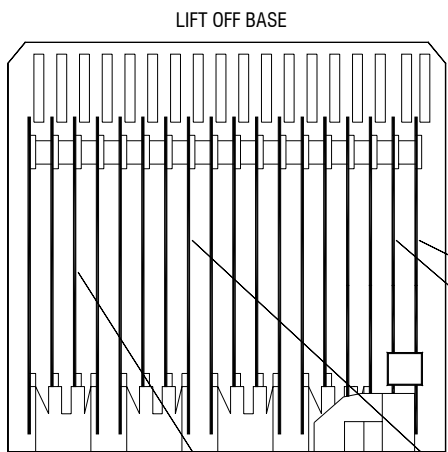
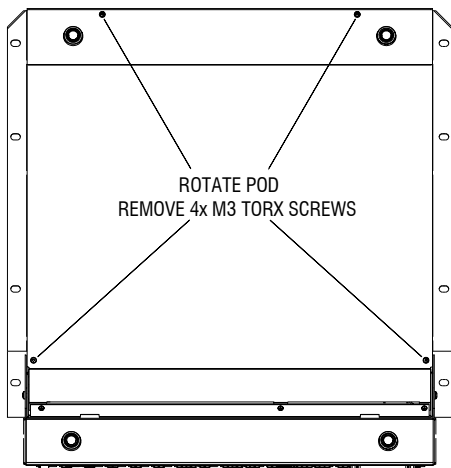
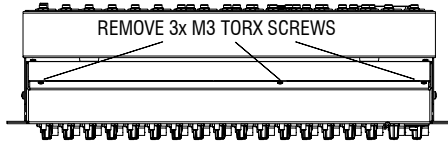
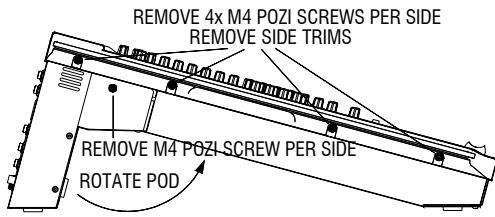
MixWizard 3 Series Part Numbers

v = voltage

WZ ³ 12:2	8 mic/line, 2 dual stereo, LR console	W31202/v
WZ ³ 16:2	16 mic/line LR console	W31602/v
WZ ³ 14:4:2	10 mic/line, 2 dual stereo, 4 group console	W31442/v
WZ ³ 20S	4 mic/line, 8 dual stereo, LR console	W320S/v
WZ ³ 12:2 / WZ ³ 16:2 / WZ ³ 20S Sys-Link II output option kit		W312/16-SLV2
WZ ³ 14:4:2 Sys-Link II input/output option kit		W31442-SLV2
WZ20S Mono switched fader		002-496
WZ20S Stereo switched fader		002-497
SSM2142P balanced output driver option IC		AE0302
DRV134 balanced output driver option IC (alternative to above)		AE5725
Allen & Heath MPS12 backup power supply option		MPS12/v
Allen & Heath 18" gooseneck LED lamp		LEDLAMP



User Options – Channel Cards



The MixWizard has a versatile architecture which should satisfy most applications you may encounter without modification. However, the following internal options provide alternative settings for those applications that may demand them. Access is required to the internal assemblies. For user convenience, pluggable jumper links are used in most places.

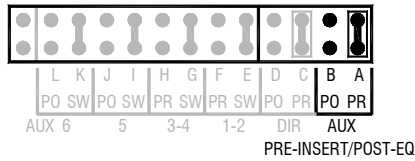
Remove the base Start by removing the side trims if fitted using a Pozi crosshead screwdriver. Release the two M4 Pozi head pod securing screws and rotate the connector pod to gain access to the three M3 rear base fixing screws. Use a Torx starhead screwdriver to remove these. Rotate the pod again to remove the four M3 underside base screws using the Torx driver. Carefully lift off the base.

Configure the internal options Fit the options required. Set the option jumpers to the required positions. Make sure they are pressed fully home. Check that all channels are correctly set and all options fitted according to their instructions. Make sure that no debris or parts are left loose inside the console.

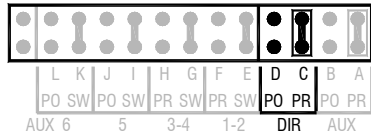
Refit the base Carefully reposition the base. Refit the fixing screws. Lock the connector pod in the required position using the securing screws. Refit the side trims if required.

IMPORTANT: Check carefully that all channel jumpers are correctly set as required. Errors on one or more channels now may cause user problems later. We recommend that you write the repositioned jumper settings on a label and adhere this to the rear panel. This would provide a helpful reference to other users of the console.

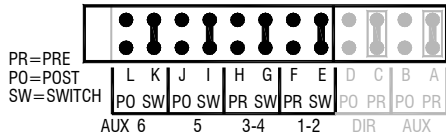
MONO CH - AUX PRE/POST EQ



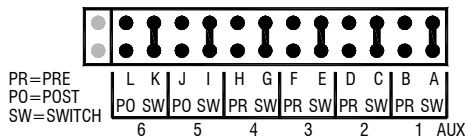
MONO CH - DIRECT OUT



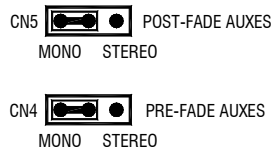
MONO CH - AUX PRE/POST FADER



STEREO CH - AUX PRE/POST FADER



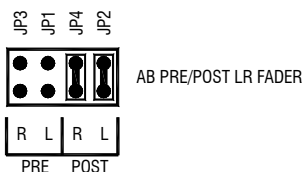
STEREO CH - MONO/STEREO AUXES



AUX MASTER - EXT1 MONO/STEREO



LR MASTER - AB SOURCE



Aux pre/post insert/EQ Factory default for the mono channel pre-fade auxes is pre-insert, pre-EQ. This is popular with many users mixing monitors from FOH. It prevents the channel EQ and inserted compressors affecting the monitor mix. Move the jumper from A to B to change this to post-insert, post-EQ if preferred. Note that auxes are always post-mute.

Direct output source Factory default is pre-fader. This is common for live recording to multitrack. The live mix fader movements do not affect the recording. Move the jumper from C to D to change to post-fade. Post-fade is appropriate when using the output as a direct channel effects send.

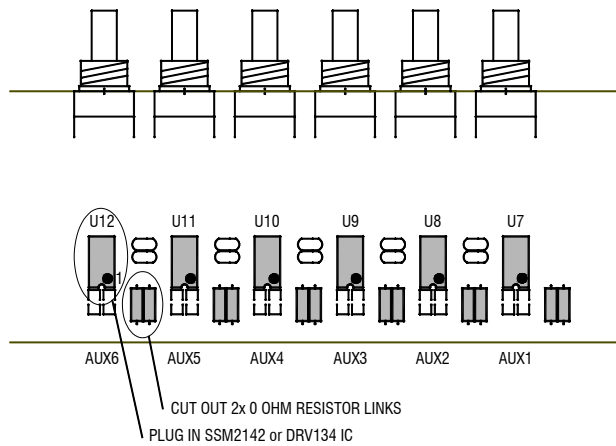
Channel Aux pre/post settings Factory default is Aux 1-4 = switched, Aux 5-6 = switched. You can change these settings for different combinations of pre/post or switched auxes by repositioning the links. Refer to the system block diagram to explore the possibilities. Make sure you set all mono and stereo channels the same. We recommend you only change these settings if absolutely necessary.

Stereo/Mono aux source The stereo channels can feed the auxes with a mono sum of L+R, or be configured so that L feeds the odd numbered auxes, and R the even. This is preferred when using odd/even auxes as stereo pairs. Factory default is the mono setting. Note that you should also set the EXT1 stereo/mono jumper to the same position.

EXT1 stereo/mono aux source The return channel EXT1 feeds Auxes 1-4 with a mono sum of the stereo signal. If you are working with stereo auxes you can reconfigure this for stereo with L feeding Auxes 1, 3 and R feeding Auxes 2, 4. The jumper is found behind the AUX2 send control.

AB source pre or post LR faders The factory default is that the post-fade LR mix feeds the AB output. If you prefer the master LR faders not to affect the AB output then reposition the two option jumpers in the PRE position. This may be desired if you are using the AB output to feed a 2-track recording independent of the house level.

AUX MASTER - BALANCED OUTPUT OPTION

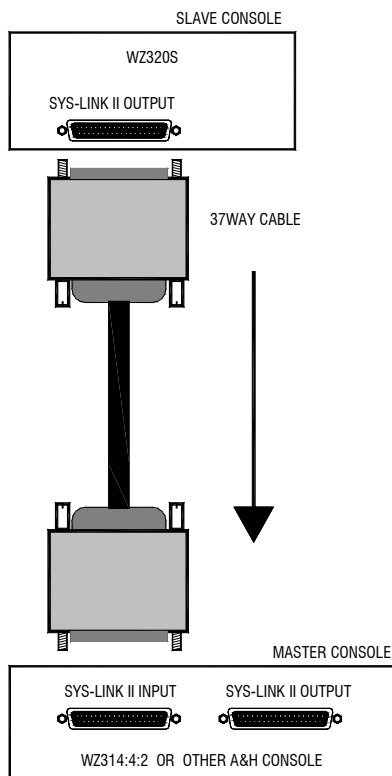


AUX master balance option The 6 aux outputs are impedance balanced as standard operating at nominal -2dBu and with +21dBu maximum drive. They provide similar interference rejection to electronically balanced outputs when connected to balanced equipment inputs. An electronically balanced option is available if you require nominal +4dBu and higher output drive up to +26dBu over very long cable runs. However, it is not usually necessary to fit this option as the impedance balanced drive satisfies most applications. Check that you really need the option before fitting it.

There are two balanced driver ICs which may be used. Either is suitable. These are available from Allen & Heath or most electronic component suppliers. The Allen & Heath part number is shown below:

SSM2142P	A&H Part AE0302
DRV134	A&H Part AE5725

For each aux master, snip the legs of the two zero ohm resistor links as shown. This removes them from the circuit. Now simply plug the option IC into the socket. Observe the correct IC pin1 orientation and make sure its legs are correctly aligned with the socket. Test the output once the work is complete. You should measure the same level but opposite polarity signal between + (hot) and ground, and - (cold) and ground.



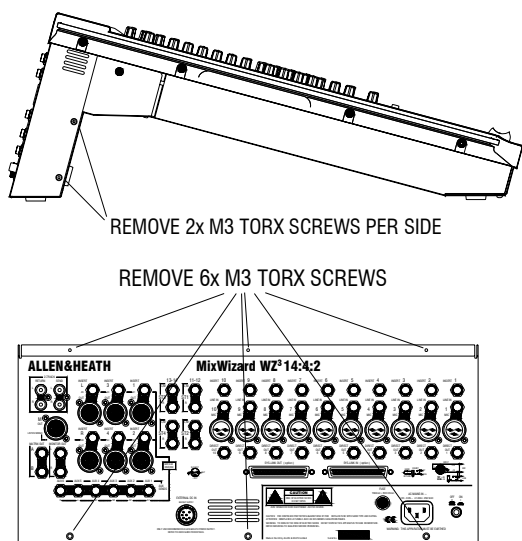
Sys-Link II output option A blank plate is fitted here as standard. This may be replaced with an optional card which provides a 37way D connector for linking the outputs to other Allen & Heath consoles already fitted with Sys-Link II. The **WZ³20S** can become input channel expanders for other consoles.

IMPORTANT: The option does not include the Sys-Link II input. Therefore the **WZ³20S** cannot be used as the master in a linked system, nor can two of these models be linked together. You need to connect these to a console that does include the Sys-Link II input connection, for example the **WZ³14:4:2** or **ML3000** with the option already fitted. Also note that you need an adapter cable if you are connecting Sys-Link II (Version 2) to the older Sys-Link I (Version 1) standard.

A 37way shielded multi-core cable carries the MixWizard balanced mix signals and PFL system to the master console.

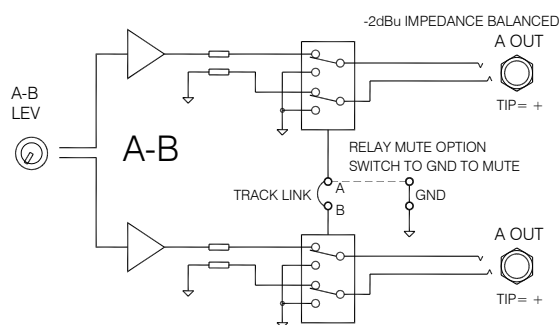
For full details please refer to the Sys-Link option Applications Note AP5736 and Fitting Instructions AP5735.

User Options – AB Output Relay Switching



The AB output routes to its TRS connectors through a relay which is normally switched on. A remote switch may be wired to solder pads on the connector circuit card to switch the relay off and isolate the output. One application is in a broadcast studio where a booth monitor should be muted when its local mic is live. In this case the relay would be wired to a micro-switch on the mic channel fader. For external switching, the relay could be wired to pins on the REMOTE (user) port on the rear panel.

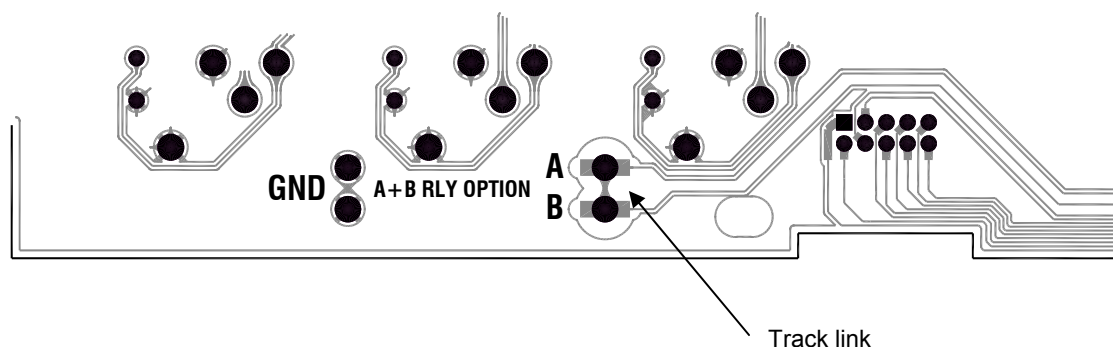
This option requires internal access to the rear connector pod. Remove the two M3x6 Torx screws from each side of the connector panel. Remove the six M3x6 Torx screws from the rear of the connector panel. Carefully tilt the connector panel away from the console so that it is flat on the work surface.



Locate the GND, A and B solder pads on the solder side of the connector circuit card. Pads A and B are linked together with a small track. It is normal that outputs A and B are switched simultaneously. To switch the relays so that they isolate the output, wire a switch from pad A to one of the GND pads. This affects both the A and B outputs.

If you require separate switching of output relay A and B then cut the interconnecting track and wire two switches, one from pad A to ground, the other from pad B to ground.

When the switch contacts are closed the relay contacts will open, isolating the audio output from its TRS jack connection.



Copy and use this page to record your console settings.

ALLEN&HEATH MixWizard WZ³20S

