

4PRO SERIES



*Plug your favourite microphone into any 4PRO System
and immediately experience the accurate voicing.*

**PROFESSIONAL
SPEAKER
SYSTEMS**

4001-A

6001-A

3 WAY ACTIVE SPEAKER

IMPORTANT NOTES

Before connecting and using the amplifier, please read this instruction manual carefully and keep it on hand for future reference. The manual is to be considered an integral part of the product and must accompany the amplifier when it changes ownership as a reference for correct installation and use as well as for the safety precautions. RCF Spa. will not assume any responsibility for the incorrect installation and/or use of the product.



WARNING: To prevent the risk of fire or electric shock, never expose this equipment to rain or humidity.

SAFETY PRECAUTIONS

1. All the precautions, in particular the safety ones, must be read with special attention, as they provide important information.
2. The power supply voltage of this equipment is sufficiently high to involve a risk of electrocution; therefore, never install or connect the product with the power supply switched on.
3. Before powering up the amplifier, make sure that all the connections have been made correctly and that the voltage of your power mains corresponds to the voltage shown on the rating plate on the unit; if it does not, please contact your RCF dealer.
4. The metallic parts of the unit are earthed by means of the power cable. In the event that the current outlet used for power does not provide the earth connection, contact a qualified electrician to earth the equipment using the dedicated terminal.
5. To protect the power cable from damage, make sure that it is positioned so that it cannot be stepped on or crushed by objects.
6. To prevent the risk of electric shock, never open the amplifier. There are no parts on the inside that the user needs to access.
7. Make sure that no objects or liquids can get into the amplifier, as this may cause a short circuit.
8. Never attempt to carry out any operations, modifications, or repairs that are not expressly described in this manual.
Contact your authorized service centre or qualified personnel should any of the following occur:
 - the amplifier does not function (or functions in an anomalous way);
 - the power supply cable has been damaged;
 - objects or liquids have got into the unit;
 - the amplifier has been subject to heavy impact.
9. When the amplifier is not to be used for long periods of time, switch it off and disconnect the power cable.
10. If the amplifier begins to emit any strange odours or smoke, switch it off immediately and disconnect the power supply cable.
11. Do not connect this product to any equipment or accessories not specified.
For suspended installation, only use the dedicated anchoring points and do not try to hang this product using HANDLES or elements that are unsuitable or not specific for this purpose.
Also check the suitability of the support surface to which the product is anchored (wall, ceiling, structure, etc.), and the components used for attachment (screw anchors, screws, brackets not supplied by RCF etc.), which must guarantee the security of the system/installation over time, also considering, for example, the mechanical vibrations normally generated by the transducer.
To prevent the risk of falling equipment, do not stack multiple units of this product unless this possibility is specified in the instruction manual.
12. RCF Spa strongly recommends this product is installed by professional qualified installers (or specialised companies) who can ensure correct installation and certify it according to the regulations in force.
The entire audio system must comply with the current standards and regulations regarding electrical systems.
13. SUPPORTS AND TROLLEYS
The equipment should only be used on trolleys or supports, where necessary, that are recommended by the manufacturer. The equipment/support/trolley assembly must be moved with extreme caution. Sudden stops, excessive pushing force and uneven floors may cause the assembly to overturn.
14. There are numerous mechanical and electrical factors to be considered when installing a professional audio system (in addition to those which are strictly acoustic, such as sound pressure, angles of coverage, frequency response, etc.).
15. HEARING LOSS
Exposure to high sound levels can cause permanent hearing loss. The acoustic pressure level that leads to hearing loss is different from person to person and depends on the duration of exposure. To prevent potentially dangerous exposure to high levels of acoustic pressure, anyone who is exposed to these levels should use adequate protection devices. When a transducer capable of producing high sound levels is being used, it is therefore necessary to wear ear plugs or protective earphones.
See the technical specifications in the instruction manual for the maximum sound pressure the loudspeaker is capable of producing.

IMPORTANT NOTES

To prevent the occurrence of noise on the cables that carries microphone signals or line signals (for example, 0 dB), only use screened cables and avoid running them in the vicinity of:

- equipment that produces high-intensity electromagnetic fields (for example, high power transformers);
- mains cables;
- lines that supply loudspeakers.

OPERATING PRECAUTIONS

- Do not obstruct the ventilation grilles of the unit. Situate this product far from any heat sources and always ensure adequate air circulation around the ventilation grilles.
- Do not overload this product for extended periods of time.
- Never force the control elements (keys, knobs, etc.).
- Do not use solvents, alcohol, benzene or other volatile substances for cleaning the external parts of this product.

THE PHILOSOPHY OF 4PRO

If you have had the opportunity to listen to any of our active systems live in the past, then you will, hopefully be enthusiastic about our new 4PRO Series. The system represents a natural evolution of what RCF has produced in the past. This progression has now reached the 4PRO system, dedicated to live, touring and fixed installations. As with all of our developments, it comes out of a desire to improve on what has gone before. In doing so, we first listened to what our customers said, it is from their feedback, that we have striven to produce the perfect speaker. Over the past years, of continuous research and development of active technology, RCF have reached a whole new audience in the live PA and concert market. In doing so, one thing has become evident, in both large and small live music venues, with their professionalism there is a passion to produce something more – the sound that gives you the possibility of creating new emotions. Active speaker technology is a cost effective solution when produced correctly. It is only by the checking of every single transducer, signal processor that is used in the speakers, plus Real time control circuits that take care of the audio chain and status of the electronics, monitoring the temperatures of heat sinks that you arrive at designing the most reliable and acoustically correct active designs. RCF is not only a pioneer in this field but a true market leader. 4PRO is designed for professionals, who have always loved RCF speakers and have looked for the perfect marriage of specific power amplifiers with the appropriate crossover or active processor.

THE 4PRO SERIES

COMPONENTS

It is the acoustic designs that have made RCF the transducer company of choice for many of the world's leading professional audio brands. For the design of 4PRO, we have not only used all new high frequency drivers which are part of our high performance RCF and the well known RCF 18" woofer, but after 2 years of research, we have finally produced a new "state of the art" midrange unit.

The compression driver is the very latest in neodymium magnetic circuit technology, reaching levels that exceed 2 Kilogauss in the gap. The "pure titanium" diaphragms are able to reproduce transparent and accurate high frequencies, true to all the audio range. This is thanks to RCF's proprietary high pressure oxygen free moulding technology. The low frequency drivers used in the 4PRO Series can withstand peak power of up to 6 times the nominal power. These mid bass woofers have been designed for superior reproduction of acoustic signals up to the crossover frequency.

Specific attention has been dedicated to speaker cones; the devices feature high temperature polyimide voice coil assemblies that undergo multiple baking and curing processes. Our edge wound copper clad aluminium voice coils are designed for maximum efficiency. RCF's "Inside / Outside" copper clad aluminium voice coil offers outstanding reliability and reference levels at the forefront of loudspeaker cone technology. Our massive neodymium or ceramic magnets offer superior base control and mid-base voice presence.

AMPLIFIERS

All the 4PRO models are designed using newly created RCF 'True Active Extended Dynamics' TAED' Active Amplifier Technology.

Each amplifier has a specific input board and set-up to optimise the performance in conjunction to the specific transducers in each model.

Each amplifier will give you: combo Jack/XLR balanced inputs, XLR Output link, protected gain control, Powercon® Mains Input.

Each subwoofer amplifier is equipped with mono/stereo inputs, protected gain control, low pass filters, mono/stereo crossover outputs, crossover frequency selection switch and phase control switch.

CABINETS

All 4PRO cabinets are in Baltic birch, heavy duty painted.

4PRO 3001-A and 4PRO 4001-A cabinets sides are coated with "ultra strong vinyl", top and bottom plates are moulded in high density compact polystyrene. The other models utilise a road tough textured black epoxy paint finish.

All models are equipped with flying hardware (3 M10 threaded points and flanges), 4PRO 6001-A offer 5 proprietary FlyTrak points for rapid installation.

PRODUCT	WOOFER	MIDRANGE	C. DRIVER	POWER	DIRECTIVITY	MAX SPL
4PRO 4001-A	15"	6"	1"	800 W	90 x 45	130 dB
4PRO 6001-A	2 x 12"	8"	1"	950 W	80 x 60	134 dB

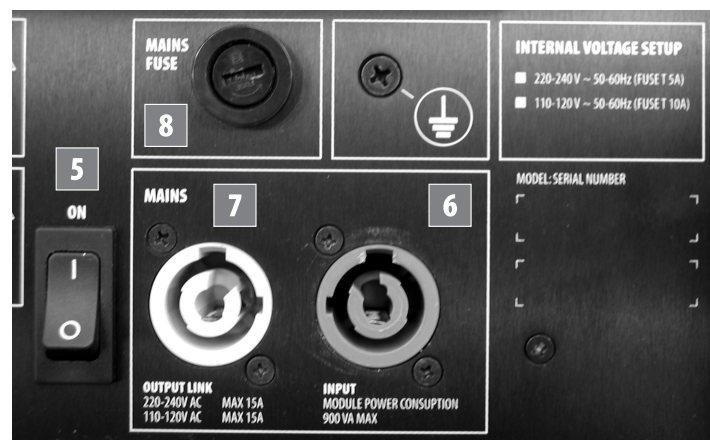
TABLE A

AMPLIFIER STATUS	GREEN LED "POWER"	YELLOW LED "STATUS"	AUDIO FUNCTIONS
TURNING ON	ON	5 SECONDS ON	5 SECONDS MUTE
NORMAL OPERATION	ON	OFF	ENABLED
LOW AC VOLTAGE	SLOW BLINKING	OFF	ENABLED
HIGH AC VOLTAGE	FAST BLINKING	OFF	OFF
AMPLIFIER HIGH TEMPERATURE	ON	SLOW BLINKING	MUTE
TRANSFORMER HIGH TEMPERATURE	ON	FAST BLINKING	MUTE
AMPLIFIER SHORT CIRCUIT OR DC CURRENT OR GENERIC FAILURE	OFF	1 BLINK + 1 PAUSE	MUTE

REAR PANEL FEATURES AND CONTROLS



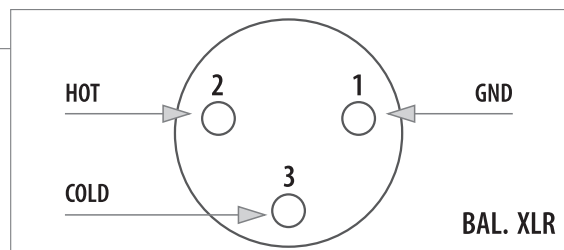
- 1 COMBO XLR/JACK INPUTS (BAL./UNBAL.)**
The system accepts input connectors Jack or XLR
- 2 XLR FULLRANGE OUTPUTS (BAL./UNBAL.)**
XLR Outputs to daisy chain another Speaker.
- 3 LEVEL CONTROL**
Adjust the input stage gain.
- 4 SPEAKER CONTROL LED's.**
The GREEN POWER LED is ON when the speaker is connected to the AC and the main switch is in position "ON".
The YELLOW STATUS LED indicates the working status of the amplifier; during normal working conditions the Led is OFF, in case the Led is ON or blinking please refer to table "A".
The GREEN LED SIGNAL is ON when the input audio signal is superior to -20 dB.
The RED LED LIMITER is ON when the Limiter Circuit is active in order to prevent distortion conditions.



- 5 POWER MAIN SWITCH**
- 6 AC SOCKET POWERCON**
This special AC socket requires a POWERCON connector.
- 7 AC SOCKET OUTPUT POWERCON**
This AC current output provides a POWERCON connection for a second speaker (daisy chain).
- 8 PROTECTION FUSE**
Protection fuse socket; the value for the fuse is indicated on the side of the socket. To service or change the fuse please contact the RCF Service Centre.

CONNECTIONS

The XLR connectors use the following AES standard:
 PIN 1 = GROUND (SHIELD)
 PIN 2 = HOT (+)
 PIN 3 = COLD (-)



BEFORE CONNECTING THE SPEAKER

On the back panel you will find all the controls, the signal and current inputs. At first verify that the voltage of the speaker is the proper for your country (115 Volt or 230 Volt).
 In case it is necessary to change the voltage please call your vendor or authorized RCF SERVICE CENTRE. This operation requires the substitution of the fuse value and it is reserved to an RCF SERVICE CENTRE.
 Always check that the power cord is in perfect condition (during transportation of the speaker the power cord might be damaged and this can be very dangerous).

BEFORE TURNING ON THE SPEAKER

At this point you can connect the power supply cable and the signal cable, but before turning on the speaker make sure that the volume control is at the minimum level (even on the mixer output). It is important that the mixer is already ON before turning on the speaker. This will avoid damage to the speakers and noisy "bumps" due to turning on parts on the audio chain. It is a good practice to always turn on speakers at last and turn them off immediately after the show.

To connect your POWERCON insert the connector in the socket then rotate clockwise until the connection is locked. At this point you can turn on the speaker and adjust the level between "–" and "0 dB Mono" in case of a Mono connection or "–" and "0 dB Stereo" in case of stereo connection (left and right signal in the same subwoofer). You can then adjust the level depending on your system needs and act, if necessary, on phase switch and crossover selection.

SPEAKER INSTALLATION

4PRO 4001-A

The speaker has 3 M10 threaded points and flanges. Suspend the speaker using at least 2 threaded inserts on the sides of the speaker. The rear insert on the bottom of the speaker is used to control the speaker orientation.

When the speaker is used on the floor or stage shall be installed at least at 70 cm from the floor level. The speaker is ideally used on top of 4PRO Series Subwoofers (8001 AS, 8002 AS, 8001S) thanks to locking points centred for 4PRO 4001-A feet.

4PRO 6001-A

This speaker is equipped with 5 FlyTrack accessories intended for suspension. The 4 side FlyTrack can be used to suspend the speaker in normal position or upside down to install 2 4PRO 6001 together (maintaining the midranges close to each other and aligned).

In this configuration the top speaker shall be upside down and the bottom speaker shall be in normal position. The two back hanging points (1 M10 and 1 FlyTrack) are intended for orientation control of the speaker.

When the speaker is used on the floor or stage shall be installed at least at 140 cm from the floor level. The speaker is ideally installed on top of 4PRO Series Subwoofers (8001 AS, 8002 AS, 8001S) thanks to locking points centred for 6001 feet.

The speaker is equipped with an adjustable back foot to control the vertical orientation when is used on top of 4PRO Subwoofers.

 **ATTENTION - VERY IMPORTANT FOR SAFETY:** Never suspend the speaker from handles. Handles are intended for transportation, not for rigging.

 **ATTENTION - VERY IMPORTANT FOR SAFETY:** 4PRO 6001-A. FlyTrack are designed to connect only 1 speaker (4PRO 6001-A) or a weight not exceeding 100 kilograms. Use always at least two hanging point on the side of the speaker.

PROTECTIONS

The 4PRO Speakers features a complete protection system that will give you the possibility to work in absolutely safe conditions. Four LEDs on the speaker back panel indicates the amplifier working status:

- The **LIMITER CIRCUIT** (RED LED ON IF ACTIVE) gently act on audio signal in order to prevent distortion.
If you see that this LED is often ON it is better to lower the signal from the Mixer or from the speaker level control.
- The **THERMAL PROTECTION** (YELLOW LED STATUS ON) acts when the amplifier or the transformer reach 90°C muting the system.
When a normal working temperature is reached the system is reactivated; the recovery time can depend on working situation and external temperature.
- **SHORT CIRCUIT PROTECTION.** The amplifier output line is protected against short circuit.
A short on the transducer or transducer cable is indicated from the status YELLOW LED (blinking) and will not damage the amplifier.
- **WOOFER PROTECTION.** A group of relays on the audio protect the woofer from DC current from the amplifier, subsonic frequencies and "bumps" when the amplifiers turn on. Specific blinking of the status LED reports the specific amplifier condition (see table "A").
- **AC VOLTAGE PROTECTION.** If the AC Voltage exceed, for a short period, 15% of the nominal voltage, the GREEN LED POWER will blink rapidly for 10 seconds.
If the AC Voltage exceed for a long period 15% of the nominal voltage the system will shut down automatically.
If the AC Voltage will be 20% under the nominal power supply voltage the GREEN LED POWER will blink slowly (see table "A").

VOLTAGE SETUP (RESERVED TO THE RCF SERVICE CENTRE)

230 Volt, 50 Hz SETUP: FUSE VALUE T – 5A

115 Volt, 60 Hz SETUP: FUSE VALUE T – 10A

IMPORTANTE

Prima di collegare ed utilizzare questo prodotto, leggere attentamente le istruzioni contenute in questo manuale, il quale è da conservare per riferimenti futuri. Il presente manuale costituisce parte integrante del prodotto e deve accompagnare quest'ultimo anche nei passaggi di proprietà, per permettere al nuovo proprietario di conoscere le modalità d'installazione e d'utilizzo e le avvertenze per la sicurezza. L'installazione e l'utilizzo errati del prodotto esimono la RCF S.p.A. da ogni responsabilità.



ATTENZIONE: Per prevenire i rischi di fiamme o scosse elettriche, non esporre mai questo prodotto alla pioggia o all'umidità (salvo il caso in cui sia stato espressamente progettato e costruito per l'uso all'aperto).

AVVERTENZE PER LA SICUREZZA

1. Tutte le avvertenze, in particolare quelle relative alla sicurezza, devono essere lette con particolare attenzione, in quanto contengono importanti informazioni.
2. **ALIMENTAZIONE DA RETE**
La tensione di alimentazione dell'apparecchio ha un valore sufficientemente alto da costituire un rischio di folgorazione per le persone: non procedere mai all'installazione o connessione dell'apparecchio con l'alimentazione inserita.
Prima di alimentare questo prodotto, assicurarsi che tutte le connessioni siano corrette e che la tensione della vostra rete di alimentazione corrisponda quella di targa dell'apparecchio, in caso contrario rivolgetevi ad un rivenditore RCF.
Le parti metalliche dell'apparecchio sono collegate a terra tramite il cavo di alimentazione. Nel caso la presa di corrente utilizzata per l'alimentazione non fornisca il collegamento con la terra, contattare un elettricista qualificato, che provvederà a connettere a terra l'apparecchio tramite l'apposito morsetto.
Accertarsi che il cavo di alimentazione dell'apparecchio non possa essere calpestato o schiacciato da oggetti, al fine di salvaguardarne la perfetta integrità.
Per evitare il rischio di shock elettrici, non aprire mai l'apparecchio: all'interno non vi sono parti che possono essere utilizzate dall'utente.
3. Impedire che oggetti o liquidi entrino all'interno del prodotto, perché potrebbero causare un corto circuito.
4. Non eseguire sul prodotto interventi / modifiche / riparazioni se non quelle espressamente descritte sul manuale istruzioni.
Contattare centri di assistenza autorizzati o personale altamente qualificato quando:
 - l'apparecchio non funziona (o funziona in modo anomalo);
 - il cavo di alimentazione ha subito gravi danni;
 - oggetti o liquidi sono entrati nell'apparecchio;
 - l'apparecchio ha subito forti urti.
5. Qualora questo prodotto non sia utilizzato per lunghi periodi, togliere la tensione dal cavo di alimentazione (o scollegare l'alimentatore esterno).
6. Nel caso che dal prodotto provengano odori anomali o fumo, spegnerlo immediatamente e togliere la tensione dal cavo di alimentazione (o scollegare l'alimentatore esterno).
7. Non collegare al prodotto altri apparecchi e accessori non previsti. Quando è prevista l'installazione sospesa, utilizzare solamente gli appositi punti di ancoraggio e non cercare di appendere questo prodotto tramite elementi non idonei o previsti allo scopo.
Verificare inoltre l'idoneità del supporto (parete, soffitto, struttura ecc., al quale è ancorato il prodotto) e dei componenti utilizzati per il fissaggio (tasselli, viti, staffe non fornite da RCF ecc.) che devono garantire la sicurezza dell'impianto / installazione nel tempo, anche considerando, ad esempio, vibrazioni meccaniche normalmente generate da un trasduttore. Per evitare il pericolo di cadute, non sovrapporre fra loro più unità di questo prodotto, quando questa possibilità non è espressamente contemplata dal manuale istruzioni.
8. La RCF S.p.A. raccomanda vivamente che l'installazione di questo prodotto sia eseguita solamente da installatori professionali qualificati (oppure da ditte specializzate) in grado di farla correttamente e certificarla in accordo con le normative vigenti.
Tutto il sistema audio dovrà essere in conformità con le norme e le leggi vigenti in materia di impianti elettrici.
9. **SOSTEGNI E CARRELLI**
Se previsto, il prodotto va utilizzato solo su carrelli o sostegni consigliati dal produttore. L'insieme apparecchio-sostegno / carrello va mosso con estrema cura.
Arresti improvvisi, spinte eccessive e superfici irregolari o inclinate possono provocare il ribaltamento dell'insieme.
10. Vi sono numerosi fattori meccanici ed elettrici da considerare quando si installa un sistema audio professionale (oltre a quelli prettamente acustici, come la pressione sonora, gli angoli di copertura, la risposta in frequenza, ecc.).
11. **PERDITA DELL'UDITO**
L'esposizione ad elevati livelli sonori può provocare la perdita permanente dell'udito. Il livello di pressione acustica pericolosa per l'udito varia sensibilmente da persona a persona e dipende dalla durata dell'esposizione. Per evitare un'esposizione potenzialmente pericolosa ad elevati livelli di pressione acustica, è necessario che chiunque sia sottoposto a tali livelli utilizzi delle adeguate protezioni; quando si fa funzionare un trasduttore in grado di produrre elevati livelli sonori è necessario indossare dei tappi per orecchie o delle cuffie protettive. Consultare i dati tecnici contenuti nel manuale istruzioni per conoscere la massima pressione sonora che il diffusore acustico è in grado di produrre.

NOTE IMPORTANTI

Per evitare fenomeni di rumorosità indotta sui cavi che trasportano segnali dai microfoni o di linea (per esempio 0dB), usare solo cavi schermati ed evitare di posarli nelle vicinanze di apparecchiature che producono campi elettromagnetici di forte intensità (per esempio trasformatori di grande di potenza), cavi di rete, linee che alimentano altoparlanti.

PRECAUZIONI D'USO

- Non ostruire le griglie di ventilazione dell'unità. Collocare il prodotto lontano da fonti di calore e garantire la circolazione dell'aria in corrispondenza delle griglie di aerazione.
- Non sovraccaricare questo prodotto per lunghi periodi.
- Non forzare mai gli organi di comando (tasti, manopole ecc.).
- Non usare solventi, alcool, benzina o altre sostanze volatili per la pulizia delle parti esterne dell'unità.

LA FILOSOFIA DELLE 4PRO

Se in questi anni avete avuto modo di apprezzare i sistemi live concepiti e prodotti nel nostro stabilimento di Reggio Emilia, non potrete essere che entusiasti della nuova serie 4PRO, che ne è la naturale evoluzione. Sono diffusori dalla dichiarata vocazione live, sia touring che in installazione fissa. Non gli manca nulla. Tutto nasce dalla voglia che abbiamo di migliorare il nostro lavoro, senza abbandonare i punti fermi che ci hanno fatto apprezzare in passato; primo di tutti il suono, che grazie alla tecnologia attiva negli ultimi anni ha potuto finalmente raggiungere non solo i grandi concerti, ma tutte quelle realtà che, piccole o grandi, per professione o per passione (ma spesso entrambe), esigono quel qualcosa in più, quel suono che permette di suscitare forti emozioni anche per una piccola platea. Quindi la tecnologia attiva come compromesso economico, ma non solo. La via per l'eccellenza passa di qui. Amplificatori dedicati e collaudati per ogni singolo altoparlante, processori di segnale nati per quel preciso diffusore, una circuitazione di controllo in tempo reale della catena audio e dello stato delle elettroniche con la possibilità di autoprotettersi, diagnosticare ogni singola anomalia e regolare il flusso d'aria nel dissipatore termico. Infine i trasduttori, che hanno fatto di RCF il costruttore di altoparlanti scelto dai marchi dell'audio professionale più rinomati e richiesti nei grandi eventi, qui da il meglio di sé. Nuovi sono infatti tutti i componenti, dai driver per alte frequenze fino ai rinomati woofer da 18". Driver HF, midrange e woofer da 12" fanno uso di magneti in neodimio, che da un lato alleggeriscono sensibilmente il peso dei diffusori, dall'altro permettono di migliorare l'efficienza dei trasduttori e quindi di ottenere maggior controllo della membrana e livelli di SPL più elevati.

LA SERIE 4PRO

COMPONENTI

È il progetto acustico che ha fatto della RCF il produttore di trasduttori scelto da molte delle marche più prestigiose del mondo nel settore dell'audio professionale. Per il progetto 4PRO non abbiamo utilizzato solo i nuovi driver per alte frequenze inseriti nei sistemi RCF ad alte prestazioni ed i rinomato woofer RCF da 18" ma, dopo due anni di ricerche, abbiamo prodotto un nuovo avanzatissimo midrange. Il driver a compressione è prodotto con la più recente tecnologia di circuito magnetico al neodimio, che raggiunge livelli che superano i 2 Kilogauss al traferro. Le membrane in "pure titanium" sono in grado di riprodurre alte frequenze trasparenti e ben definite fino all'estremo dell'udibile. Questo è dovuto all'esclusivo processo RCF di stampaggio ad alta pressione in assenza di ossigeno.

I driver delle basse frequenze utilizzati nella serie 4PRO sono in grado di sopportare dei picchi di potenza 6 volte superiori alla potenza nominale. Questi woofer mid bass sono stati progettati per fornire una superiore riproduzione dei segnali acustici fino alla frequenza di crossover. Particolare attenzione è stata prestata alle membrane degli altoparlanti che sono caratterizzate da supporti bobina per alte temperature in piliimide che vengono sottoposti a diversi trattamenti a calore per una perfetta polimerizzazione. Le bobine edgewound in filo d'alluminio a sezione rettangolare rivestito in rame sono studiate per offrire il massimo dell'efficienza. La bobina RCF "Inside/Outside" in filo d'alluminio rivestito di rame offre una sorprendente affidabilità ed i suoi livelli stabiliscono nuove frontiere negli standard tecnologici degli altoparlanti. I nostri magneti al neodimio o in ceramica offrono, con le loro dimensioni, un superiore controllo dei bassi e della "presenza" della voce.

AMPLIFICATORI

Tutti i modelli 4PRO sono progettati utilizzando la nuova tecnologia d'amplificazione esclusiva RCF, TAED "True Active Extended Dynamics". Ogni amplificatore ha un sua propria scheda di ingresso e controllo elettronico ed una configurazione ideale per ottimizzare le prestazioni degli specifici trasduttori abbinati in ogni modello. Ogni amplificatore è dotato di: ingressi bilanciati combo Jack/XLR, link in uscita XLR, comando protetto del guadagno e ingresso di corrente Powercon®.

Ogni amplificatore dei subwoofer è dotato di ingressi mono/stereo, comando protetto del guadagno, filtri passa basso, uscite crossover mono/stereo, selettore della frequenza di crossover e selettore di fase.

MOBILI

Tutti i modelli delle 4PRO sono in multistrato di betulla con trattamento antigraffio. I lati dei mobili dei diffusori 4PRO 3001-A e 4PRO 4001-A sono rivestiti di "vinile ad alta resistenza" mentre il pannello superiore e quello inferiore sono di polimero semiespanso ad alta densità. Gli altri modelli sfruttano una finitura con vernice nera epossidica goffrata, ideale per un uso "on the road". In tutti i modelli sono previsti punti di fissaggio per appendere i diffusori, 3 inserti filettati M10 con flangia. Nel modello 4PRO 6001-A sono stati previsti 5 attacchi esclusivi FlyTrak per un'installazione rapida ed un utilizzo touring.

PRODOTTO	WOOFER	MIDRANGE	C. DRIVER	POTENZA	DIRETTIVITÀ	MAX SPL
4PRO 4001-A	15"	6"	1"	800 W	90 x 45	130 dB
4PRO 6001-A	2 x 12"	8"	1"	950 W	80 x 60	134 dB

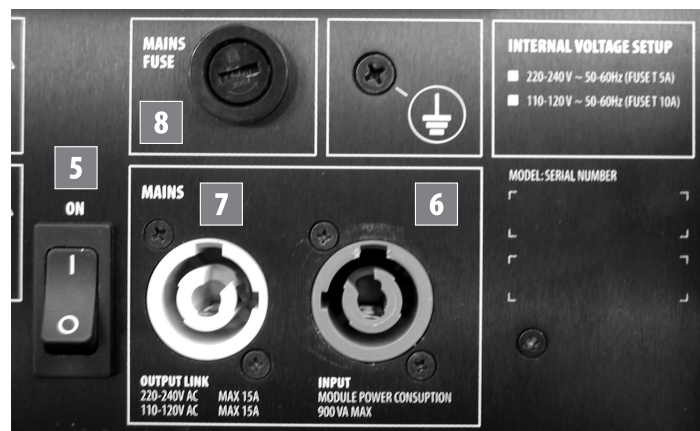
TABELLA A

STATO DEL MODULO	GREEN LED "POWER"	YELLOW LED "STATUS"	FUNZIONI AUDIO
ACCENSIONE	ACCESO	ACCESO 5 SECONDI	5 SECONDI IN MUTE
NORMALE STATO DI FUNZIONAMENTO	ACCESO	OFF	ATTIVE
TENSIONE DI ALIMENTAZIONE BASSA	LAMPEGGIO LENTO	OFF	ATTIVE
TENSIONE DI ALIMENTAZIONE ALTA	LAMPEGGIO VELOCE	OFF	OFF
SOVRATEMPERATURA AMPLIFICATORE	ACCESO	LAMPEGGIO LENTO	MUTE
SOVRATEMPERATURA TRASFORMATORE	ACCESO	LAMPEGGIO VELOCE	MUTE
CORTOCIRCUITO, CORRENTE CONTINUA O MALFUNZIONAMENTO DELL'AMPLIFICATORE	SPENTO	1 LAMPEGGIO + 1 PAUSA	MUTE

CARATTERISTICHE E CONTROLLI DEL PANNELLO POSTERIORE



- 1** **INGRESSI COMBO JACK/XLR (SBILANCIATO/BILANCIATO)**
Il sistema accetta connettori di ingresso Jack o XLR.
- 2** **USCITE DI SEGNALE FULL RANGE (SBILANCIATO/BILANCIATO)**
Uscite di segnale su connettore XLR per connettere un ulteriore diffusore amplificato.
- 3** **CONTROLLO DI LIVELLO**
Varia il guadagno dello stadio di ingresso.
- 4** **LED DI CONTROLLO DEL DIFFUSORE**
Il LED VERDE POWER è acceso quando il diffusore è alimentato e il commutatore di accensione è nella posizione "ON".
Il LED GIALLO STATUS indica lo stato di funzionamento dell'amplificatore; il funzionamento corretto si ha quando il led giallo è spento, nel caso sia acceso o lampeggi fare riferimento alla tabella A.
Il LED VERDE SIGNAL si accende quando all'amplificatore arriva un segnale audio dal mixer superiore ai -20dB.
Il LED ROSSO LIMITER è acceso quando il circuito di limitazione del segnale in ingresso è attivo per prevenire condizioni di distorsione del segnale.



- 5** **INTERRUTTORE DI ACCENSIONE**
- 6** **PRESA DI ALIMENTAZIONE CORRENTE DI RETE AC CON CONNETTORE POWERCON®**
- 7** **USCITA DI CORRENTE AC CON CONNETTORE POWERCON®**
Connettore di uscita di corrente AC per alimentare un secondo diffusore prendendo l'alimentazione dall'ART 705 AS.
- 8** **FUSIBILE DI PROTEZIONE**
Vano di alloggiamento del fusibile di protezione, il valore del fusibile è indicato a fianco del vano stesso. Per la rimozione e sostituzione del fusibile rivolgetevi al vostro rivenditore RCF o ad un centro di assistenza autorizzato.

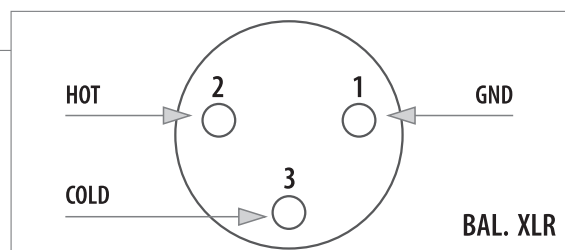
CONNESSIONI

Il connettore di ingresso XLR segue il seguente standard AES:

PIN 1 = TERRA (GROUND; SHIELD)

PIN 2 = LATO CALDO (HOT; +)

PIN 3 = LATO FREDDO (COLD; -)



PRIMA DI CONNETTERE IL DIFFUSORE

Sul pannello posteriore trovano posto tutti i controlli, gli ingressi di segnale e di corrente. La prima cosa da fare quando montate il vostro impianto di amplificazione è assicurarvi che la tensione di alimentazione sia quella corretta, che per i paesi europei è 230 volt. In caso sia necessario cambiare la tensione di alimentazione rivolgersi al proprio rivenditore o centro assistenza. Verificate anche che il cavo di alimentazione AC sia perfettamente integro. Durante le operazioni di carico e trasporto dei diffusori potrebbe infatti capitare che il cavo possa subire schiacciamenti o che la guaina di protezione venga tagliata, con conseguente rischio di cortocircuiti sulla rete di corrente AC o di folgorazione di chi ne venga in contatto.

PRIMA DI ACCENDERE IL DIFFUSORE

A questo punto potete inserire il connettore di alimentazione (ruotandolo in senso orario fino a far scattare la leva di bloccaggio) e il connettore di segnale, ma prima di accendere il diffusore assicuratevi che il controllo di volume sia al minimo sia sul diffusore che sulla sorgente sonora collegata al diffusore (che generalmente sarà un mixer); è importante anche che il mixer sia già acceso al momento in cui viene acceso il diffusore a lui collegato. Queste due precauzioni vi eviteranno innanzitutto di accendere i diffusori in presenza di forti segnali in ingresso (evitando di causare danni al diffusore stesso ma soprattutto alle persone che vi si possono trovare davanti) e inoltre di far arrivare agli altoparlanti e al pubblico i fastidiosi "bump" causati dall'accensione delle apparecchiature audio a monte dei diffusori. Infatti è buona regola che i diffusori amplificati e gli amplificatori in genere siano sempre le ultime apparecchiature ad essere accese dopo il montaggio e le prime ad essere spente alla fine dello spettacolo. A questo punto potete accendere il diffusore e alzare il controllo di livello fino a "+ 4 dB" per provare il vostro impianto. Potete poi correggere successivamente il livello a seconda delle necessità.

INSTALLAZIONE DEL DIFFUSORE

4PRO 4001-A

Dispone di 3 inserti filettati M10 con flangia. Appendere il diffusore utilizzando almeno 2 inserti filettati presenti sul lato del diffusore. Il punto di aggancio posteriore va utilizzato per regolare l'inclinazione del diffusore.

Per installare il diffusore a pavimento (o a palco) si consiglia di mantenerlo con la base ad una altezza minima di 70 cm dal suolo (livello a cui si trova il pubblico). 4PRO 4001-A trova il suo abbinamento ideale appoggiata sopra i subwoofer della serie 4PRO (8001 AS, 8002 AS, 8001S) che sono predisposti sul lato superiore di fori di incastro per alloggiare i piedi della 4PRO 4001-A.

4PRO 6001-A

4PRO 6001A dispone di 5 attacchi tipo FlyTrack per la sospensione del diffusore. I 4 attacchi laterali sono predisposti sia per la sospensione semplice sia per sospendere il diffusore rovesciato in modo tale da permettere di installare due diffusori sovrapposti mantenendo i midrange dei due diffusori vicini e allineati tra di loro. In questa configurazione la 4PRO 6001A che si trova sopra dovrà essere rovesciata e porterà il peso di quella sottostante a lei attaccata che sarà quella diritta. Ulteriori due punti di aggancio posteriori (uno tipo FlyTrack e uno tipo M10) consentono di inclinare il diffusore sospeso.

Per installare il diffusore a pavimento (o a palco) si consiglia di mantenerlo con la base ad una altezza minima di 140 cm dal suolo (livello a cui si trova il pubblico). 4PRO 6001A trova il suo abbinamento ideale appoggiata sopra i subwoofer della serie 4PRO (8001 AS, 8002 AS, 8001S) che sono predisposti sul lato superiore di fori di incastro per alloggiare i piedi della 4PRO 6001-A.

4PRO 6001-A dispone anche di un quinto piede posteriore che consente di inclinare il diffusore per direzionare il suono verso il basso rispetto all'asse orizzontale, particolarmente utile se il diffusore si trova su una base d'appoggio di altezza superiore ai 150 cm rispetto al suolo. Anche il quinto piede trova il suo foro di incastro sul lato superiore dei subwoofer serie 4 PRO.

 **ATTENZIONE - IMPORTANTE PER LA SICUREZZA:** Non sospendere mai i diffusori per mezzo delle maniglie. Le maniglie sono state progettate per il trasporto del diffusore, non per la sua sospensione.

 **ATTENZIONE - IMPORTANTE PER LA SICUREZZA:** 4PRO 6001-A. Gli agganci inferiori (di tipo FlyTrack) sono stati progettati per collegare al massimo 1 diffusore dello stesso tipo () o comunque un peso che non ecceda i 100 Kilogrammi. Usare sempre almeno 2 FlyTracks sui lati del diffusore.

PROTEZIONI

4PRO 6001A è provvista di un completo sistema di circuiti di protezione, questo vi permetterà di lavorare nella più assoluta tranquillità. Quattro led sul pannello posteriore del diffusore segnalano lo stato di funzionamento dell'amplificatore.

- **IL CIRCUITO LIMITER** il cui intervento è segnalato dal LED ROSSO, agisce in modo quasi impercettibile sul segnale audio, regolandone il livello automaticamente entro i limiti accettati. Se comunque vedete che questa spia resta accesa per lunghi momenti, è bene regolare più basso il livello dal mixer o dal controllo di volume del diffusore.
- **LA PROTEZIONE TERMICA**, segnalata dal lampeggiamento del LED GIALLO STATUS, interviene quando l'amplificatore o il trasformatore raggiungono i 90°C mettendo in mute il sistema. Al raggiungimento di una normale temperatura di funzionamento il sistema si riattiva autonomamente. I tempi di ripristino possono essere variabili, a seconda della causa del surriscaldamento e della temperatura esterna.
- **PROTEZIONE DA CORTO CIRCUITI.** La linea in uscita dall'amplificatore verso l'altoparlante è protetta contro i cortocircuiti. Un eventuale cortocircuito dell'altoparlante o dei suoi cavi, segnalato dal lampeggiamento del LED GIALLO SIGNAL, non danneggia quindi l'amplificatore.
- **PROTEZIONI DELL'ALTOPARLANTE.** Un gruppo di relè sulle uscite audio protegge gli altoparlanti da tensione continua data dall'amplificatore, dai disturbi radio, dalle frequenze subsoniche e dai "bump" in fase di accensione. I differenti lampeggiamenti del LED GIALLO SIGNAL segnalano l'intervento di queste protezioni (vedi tabella A).
- **PROTEZIONE DA SBALZI DI TENSIONE AC.** Se la tensione di alimentazione supera, per un breve periodo, del 15% il livello di tensione di alimentazione dell'amplificatore, il LED VERDE POWER lampeggia velocemente per 10 secondi per segnalare l'avvenuta anomalia. Nel caso l'episodio abbia durata prolungata, l'amplificatore si disabilita autonomamente. Se la tensione di alimentazione scende sotto la soglia del -20% rispetto a quella richiesta, il LED VERDE POWER lampeggia lentamente (vedi tabella A).

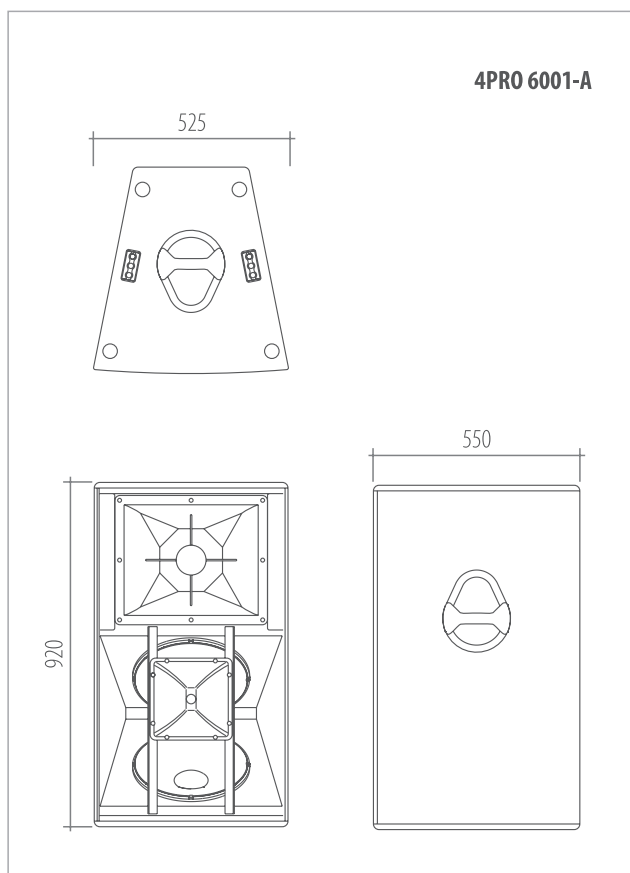
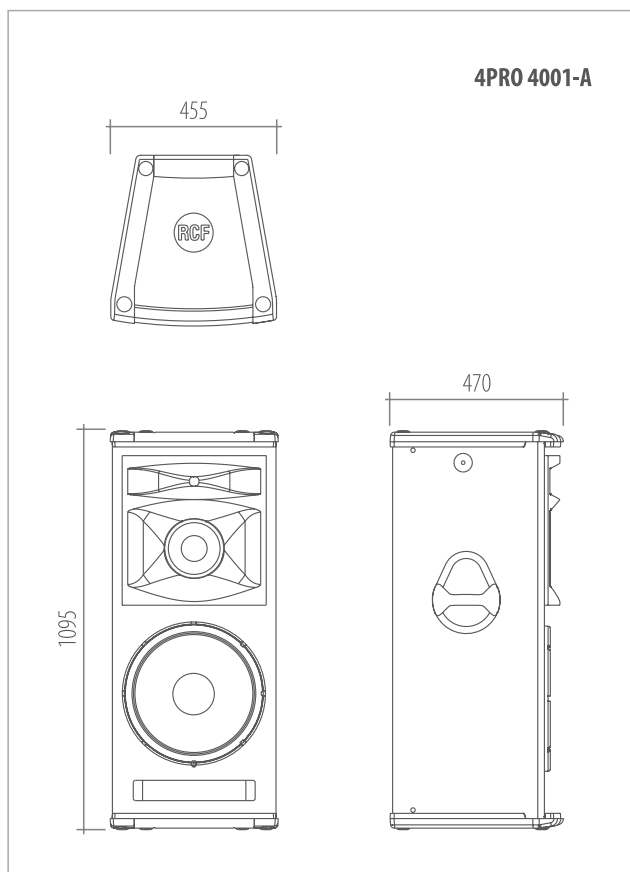
SELEZIONE DELLA TENSIONE DI ALIMENTAZIONE (RISERVATO AI CENTRI SERVIZIO RCF)

SELEZIONE 230 Volt, 50 HZ: VALORE FUSIBILE T – 5A

SELEZIONE 115 Volt, 60 HZ: VALORE FUSIBILE T – 10°

PRODUCT	4PRO 4001-A	4PRO 6001-A
ACOUSTICAL SPECIFICATIONS		
Frequency response	45 - 20 KHz	50 - 20 KHz
Max SPL	130 dB	134 dB
Sensitivity 1w/1m	—	—
Coverage angle	90 x 45	80 x 60
Compression driver	neo 1"	neo 1"
Midrange	6"	neo 8"
Woofer	15"	2 x neo 12"
Power handling	—	—
INPUT SECTION		
Input signal	bal/unbal	bal/unbal
Input connector	jack/xlr	jack/xlr
Output signal connector	xlr	xlr
Input sensitivity	0 dBu	0 dBu
Mic. input sensitivity		
PROCESSOR SECTION		
Crossover frequencies	600 Hz / 2800 Hz	360 Hz / 2000 Hz
Selectable high pass output	—	—
Protections	uC Protection	uC Protection
Limiter	fast limiter	fast limiter
Master volume	yes	yes
Phase switch	—	—
Music / Voice eq	—	—
Remote control option	—	—
AMPLIFIER		
Nominal power	800 Watt	950 Watt
High frequencies	ab / 50 Watt	ab / 50 Watt
Mid frequencies	H / 150 Watt	H / 300 Watt
Low frequencies	H / 600 Watt	H / 600 Watt
Cooling	Forced	Forced
PHISICAL SPECIFICATIONS		
Height	1095	920
Width	455	525
Depth	470	550
Weight	47 Kg	55 Kg
Cabinet	Baltic Birch	Baltic Birch
Hardware	4 M10 flying points	3 Fly Traks
Handles	2 side	2 side, 1 top
Pole Mount / Cap	—	—
Colour	Black	Black

DIMENSIONS



All dimensions are in millimeter.

Tutte le dimensioni sono in millimetri.

RCF SpA via Raffaello, 13 · 42010 Mancasale, Reggio Emilia
tel. +39.0522.274411 · fax +39.0522.232428 · email info@rcf.it · www.rcf.it

10307016/A

4PROSERIES