

Mounting the VP-701xl on the RK-701xl

Congratulations on purchasing your Kramer **RK-701xl** Rack Adapter, which is ideal for mounting the Kramer **VP-701xl** in a standard 19" rack.

We recommend that you:

- Have a Philips screwdriver available
- Disconnect the mains voltage and all cables connected to the machine that is being mounted in the rack adapter before proceeding with the installation
- Connect only good quality connection cables, thus avoiding interference, deterioration in signal quality due to poor matching, and elevated noise levels (often associated with low quality cables)
- Avoid interference from neighboring electrical appliances and position your rack adapter on the rack away from moisture, excessive sunlight and dust

To mount the **VP-701xl**, as illustrated in Figure 1, do the following:

1. Turn the **RK-701xl** and the **VP-701xl** upside down.
2. Place the **RK-701xl** over the **VP-701xl**. Make sure that the front panel faces the "ear" sides of the rack adapter (see Figure 1).
3. Insert the three conical M3x6 screws, supplied with the rack adapter in the designated holes and screw them in to attach the rack adapter to the **VP-701xl** (see Figure 1).
4. Rotate the **RK-701xl** horizontally with **VP-701xl** connected (see Figure 2).

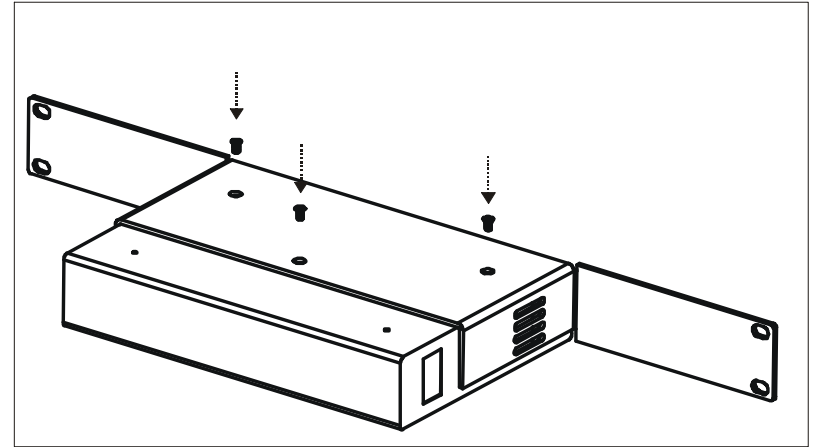


Figure 1: Mounting the RK-701xl

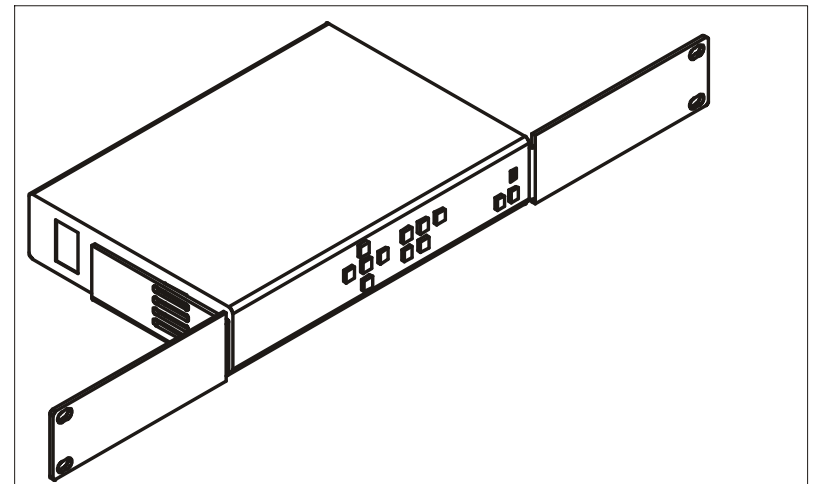


Figure 2: VP-701xl Mounted on the RK-701xl



RK-701xl Rack Adapter

Installation Instructions

For the latest information on our products and a list of Kramer distributors, visit our
Web site: www.kramerelectronics.com



Kramer Electronics, Ltd.
Web site: www.kramerelectronics.com
E-mail: info@kramerelectronics.com
P/N: 2900-000379 REV 1