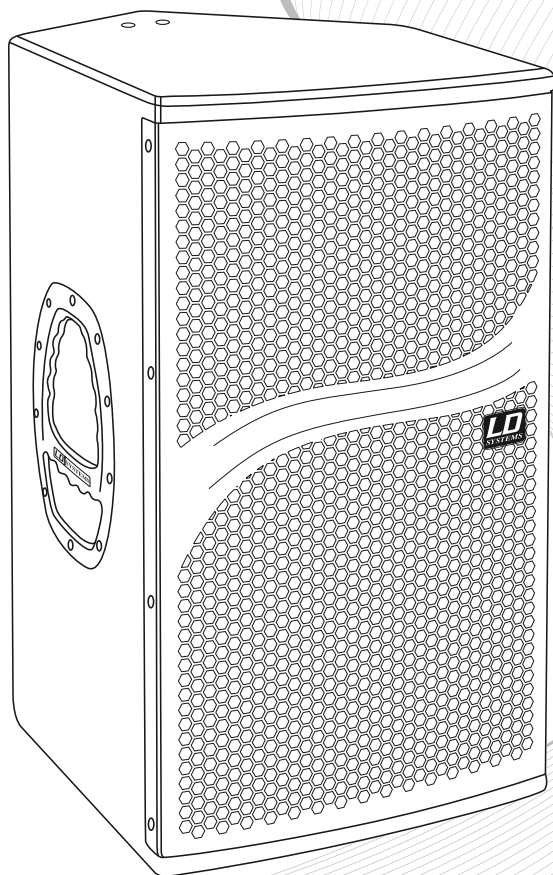


USER'S MANUAL  
BEDIENUNGSANLEITUNG  
MANUEL D'UTILISATION  
MANUAL DE USUARIO  
INSTRUKCJA OBSŁUGI  
MANUALE D' USO



# LD **DDQ** SERIES

**DSP**-CONTROLLED 2-WAY ACTIVE SPEAKER

LDDQ10 / LDDQ12



ENGLISH

DEUTSCH

FRANCAIS

ESPAÑOL

POLSKI

ITALIANO

## Thank you for choosing LD Systems!

We have designed this product to operate reliably over many years. Therefore LD Systems guarantees for high quality products with its name and many years of experience as a producer.

Please, take a few moments to read these instructions carefully, as we want you to enjoy your new LD Systems products quickly and to the fullest.

For information about LD Systems check out our website [WWW.LD-SYSTEMS.COM](http://WWW.LD-SYSTEMS.COM)

## Introduction

Their outstanding performance of the LD Systems DDQ series is the result of a precise design and perfect features that deserve top marks across the board.

The DDQ systems are loaded with Fatial Pro woofers and BMS tweeters. They are driven separately by two Hypex UCD400 400W power stage modules.

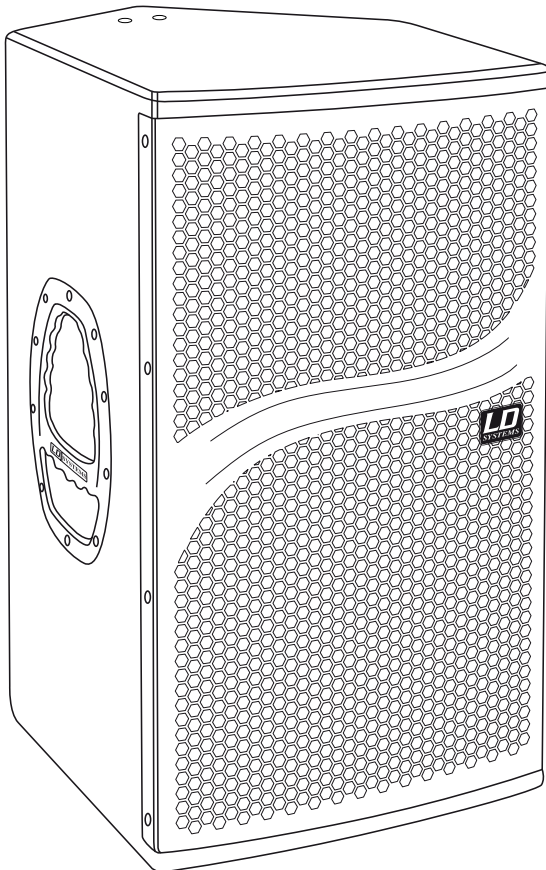
The signal is processed by a Sharc DSP programmed especially for the DDQ active systems with converters that have a remarkable dynamic range of 127dB. It handles all protection functions, whereby the predictive peak limiter is especially worthy of mention. With a look ahead time of 1 millisecond, it ensures absolutely distortion-free reproduction even at maximum volume.

The bass-reflex cabinet of the DDQ active speaker is made of multiplex. Thanks to the innovative Evolutive handles and their comparatively low weight, the DDQ 10" and 12" active speakers are easy to transport. They are designed for all PA applications: for mobile use, permanent installation, compact systems, FOH systems or delay lines. Thanks to their integral 50° angle, they can also be used as active monitors. All DDQ systems are made in Germany!

# LD **DDQ**SERIES

**DSP**-CONTROLLED 2-WAY ACTIVE SPEAKER

LDDDQ10 / LDDDQ12



ENGLISH

DEUTSCH

FRANCAIS

ESPAÑOL

POLSKI

ITALIANO



## PREVENTIVE MEASURES:

1. Please read this information carefully.
2. Keep all information and instructions in a safe place.
3. Please follow the instructions.
4. Please observe all warnings. Don't remove safety instructions or any other information located on the device.
5. Use the device only in the intended manner.
6. Use only stable and appropriate stands and/or mounts when the device is permanently installed. Make certain that wall brackets are firmly secured. Make certain that the unit is installed securely and cannot fall down.
7. When installing please observe the corresponding safety standards for your country.
8. Do not install the device near radiators, heat accumulators, ovens or other sources of heat. Make certain that the device is always installed so that is cooled sufficiently and cannot overheat.
9. Do not place open sources of ignition, e.g., burning candles, on the device.
10. Do not cover ventilation slots.
11. Do not operate the device in the immediate vicinity of water. Do not expose this equipment to combustible materials, liquids or gases.
12. Please make certain that dripping or splashing water cannot get inside the device. Do not put objects filled with fluids, such as vases or drinking vessels, on top of the device.
13. Make certain that objects cannot fall into the device.
14. Use the device only with accessories with which the manufacturer intends the device to be used.
15. CAUTION: If this device has a mains connector equipped with protective earth, it must be connected to a mains socket with a protective ground connection. Never disable the function of the protective ground connection of the included power cord.
16. Do not turn on the device immediately if it was exposed to strong temperature fluctuations (for example after transportation). Moisture and condensation may damage the device. Leave the device switched off until it has reached room temperature.
17. Do not open the device and do not make any changes to the device.
18. Before connecting to mains power, make certain that the mains voltage and the mains frequency are the same as the operating values of the device (see type label). If the device is equipped with a supply voltage selector switch, make certain that the values of the device match the values of the mains power before connecting. If the plug on the included cord does not fit your mains outlet, contact your electrician.
19. Make certain that the power cord is not stepped on. Protect the power cord against pinching, especially at the device plug and the power plug.
20. In order to prevent damage or accidents, for example, due to tripping hazards, check all connections once you have connected the device.
21. When connecting the device, make certain that the power plug remains readily accessible. Always pull out the power plug when the device is not in use or when you clean the device. Disconnect the power cord by pulling the plug not the cable. Never touch the power cable and power adapter with wet hands.
22. Avoid switching the device on and off at short intervals, because it may shorten the durability of the device.
23. IMPORTANT: Replace fuse only by fuse of same type and rating! If fuse blows repeatedly please contact authorized service center!
24. In order to disconnect the device completely from the mains voltage, the power plug must be unplugged.
25. If your device is equipped with a Volex power connector, the matching Volex device plug must be unlocked in order to disconnect it. This also means that a tug on the power cord can pull the device out of place, thus causing personal injuries and/or property damage. Thus please make certain to route your cables carefully.

ENGLISH

DEUTSCH

FRANCAIS

ESPAÑOL

POLSKI

ITALIANO

## PREVENTIVE MEASURES:

ENGLISH

DEUTSCH

FRANCAIS

ESPAÑOL

POLSKI

ITALIANO

26. If there is a risk of lightning strike or during extended periods of disuse, unplug the power plug.
27. During transport, make certain that the equipment being transported cannot fall down and possibly cause personal injuries and/or property damage.
28. If your device no longer works properly, if it has been exposed to liquids or an object has fallen inside it or if it has been damaged in some other manner, turn the device off immediately and unplug the power plug. This device should be repaired only by authorized experts.
29. Use only a dry cloth to clean the device.
30. Comply with all of the disposal laws that are applicable in your country. During disposal, please separate plastic and paper/cardboard.
31. Plastic bags must be kept out of the reach of children.



### CAUTION:

To reduce the risk of electric shock, do not remove cover (or back). No user serviceable parts inside. Refer servicing to qualified personnel.



The lightning flash with arrowhead symbol within an equilateral triangle is intended to alert the user to the presence of uninsulated "dangerous voltage" within the product's enclosure that may be of sufficient magnitude to constitute a risk to persons.



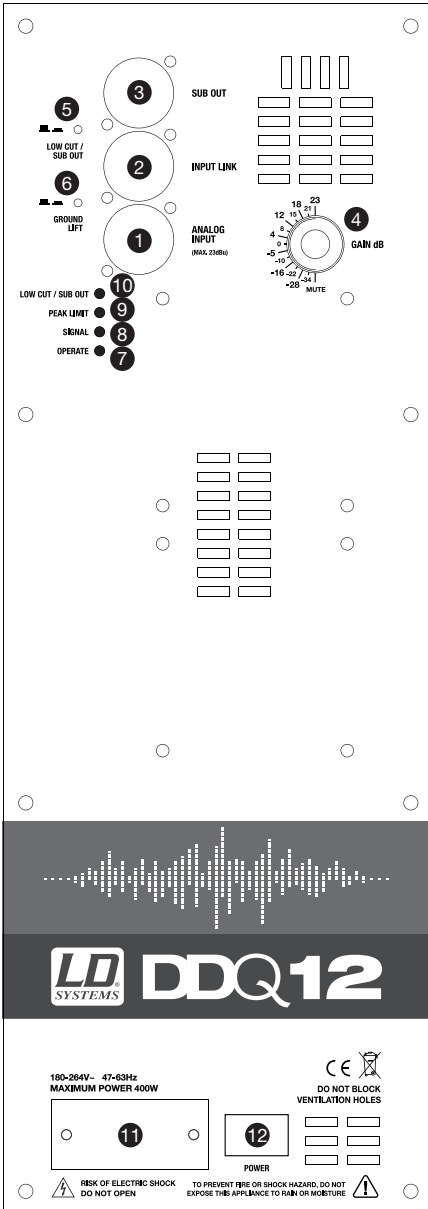
The exclamation mark within an equilateral triangle is intended to alert the user to the presence of important operating and maintenance (servicing) instructions in the literature accompanying the appliance.

### CAUTION! HIGH VOLUME!

This product is designed for professional use. Therefore the commercial use of this equipment is liable to the rules and regulations of the Accident Prevention & Insurance Association of your industry sector. Adam Hall as a manufacturer is bound to inform you formally about the existence of eventual sanitary risks.

Risk of hearing damage due to prolonged exposure to excessive volumes: When using this product high sound pressure levels (SPL) can be generated, sufficient to cause permanent hearing damage to performers, production crew and audience members. Caution should be taken to avoid prolonged exposure SPL in excess of 90 dB.

# REAR/ CONTROLS (LDDQ12 PICTURED):



## 1 ANALOG INPUT

Balanced XLR line input (23 dBu max.).

## 2 INPUT LINK

Balanced XLR line output

## 3 SUB OUT

Balanced XLR subwoofer line output

## 4 GAIN DB

Input sensitivity control with respect to the volume of the amplifier module. If the maximum input level (23dBu) is exceeded, this is indicated by collective flashing of LEDs 7-10. In this case, reduce the level of the signal source to avoid negative effects on the sound.

## 5 LOW CUT / SUB OUT

Enabled switch activates both the high pass filter for DDQ10/12 (100 Hz, 18 dB/oct. Butterworth) and the low pass filter (100 Hz, 18 dB/oct. Butterworth) for the SUB OUT. If the switch is not enabled, the sub output signal is not affected by any filter.

## 6 GROUND LIFT

Can eliminate ground loop hum if devices with varying ground potentials are connected.

## 7 OPERATE LED

Lights up once the speaker system is switched on and properly connected to the power mains.

## 8 SIGNAL LED

Lights up when an audio signal is present at the line input (> -30dBu).

## 9 PEAK LIMIT LED

Lights up if the speaker is operating in the clipping range. Brief flashing is not a cause for concern, since the internal audio limiter compensates for over-modulation. Permanent illumination should be avoided by reducing the input level.

## REAR/ CONTROLS (LDDDDQ12 PICTURED):

- 10 LOW CUT / SUB OUT LED**  
Lights up if the associated switch is pressed.
- 11 AC INPUT**  
(180 - 264 V AC, 47 - 63 Hz)  
Connection via the IEC power cord included.
- 12 POWER SWITCH**  
For turning the unit on and off.

ENGLISH

DEUTSCH

FRANCAIS

ESPAÑOL

POLSKI

ITALIANO

# FREQUENCY RESPONSE:

ENGLISH

DEUTSCH

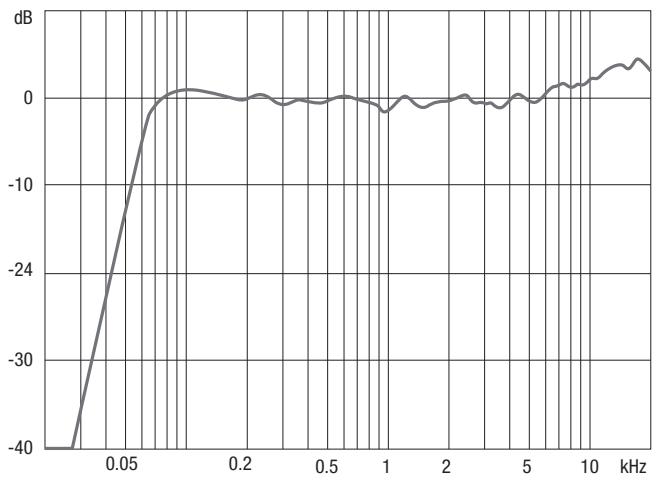
FRANCAIS

ESPAÑOL

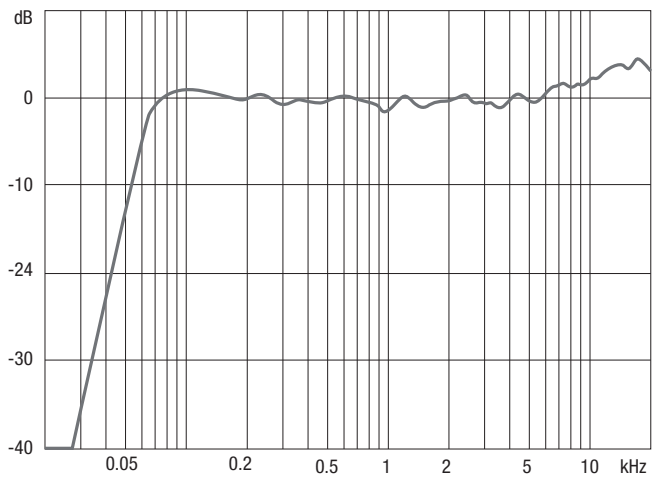
POLSKI

ITALIANO

**LDDDQ10**



**LDDDQ12**





# DISPERSION BEHAVIOUR:

ENGLISH

DEUTSCH

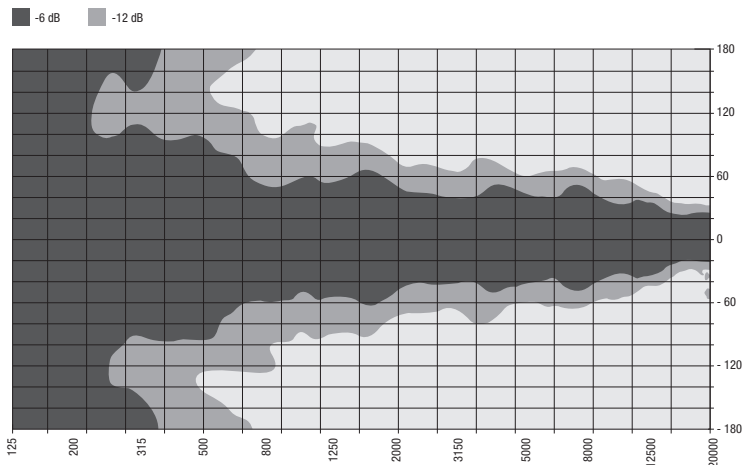
FRANCAIS

ESPAÑOL

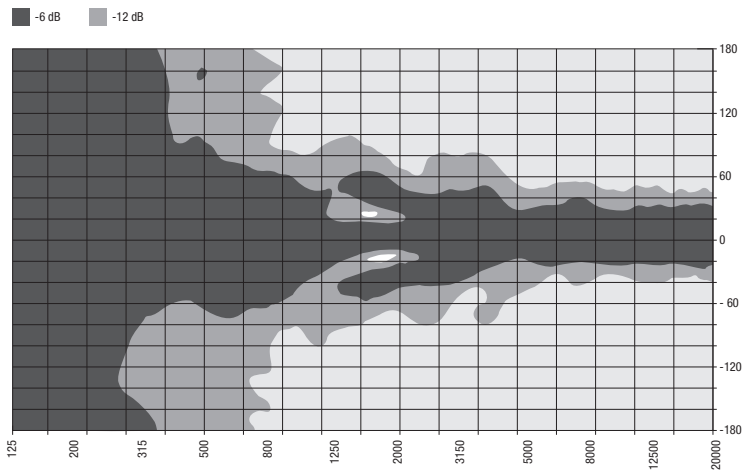
POLSKI

ITALIANO

Horizontal Isobars of: LD DDQ10



Vertical Isobars of: LD DDQ10



# DISPERSION BEHAVIOUR:

ENGLISH

DEUTSCH

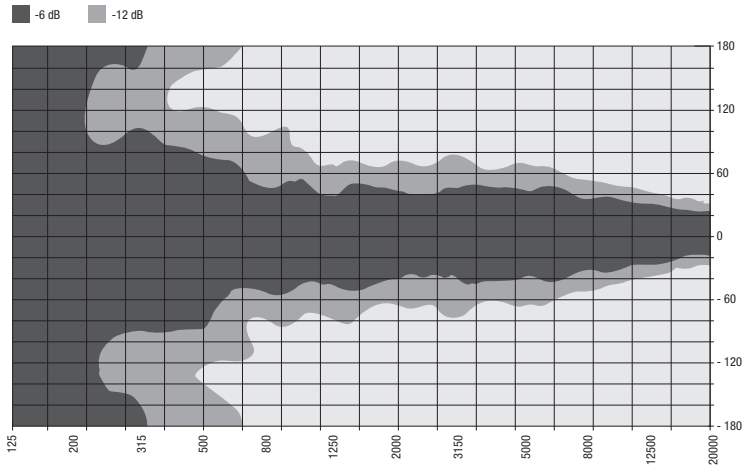
FRANCAIS

ESPAÑOL

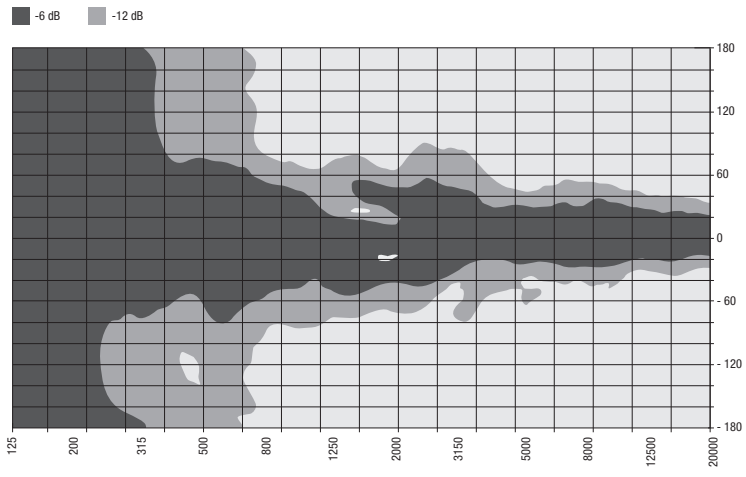
POLSKI

ITALIANO

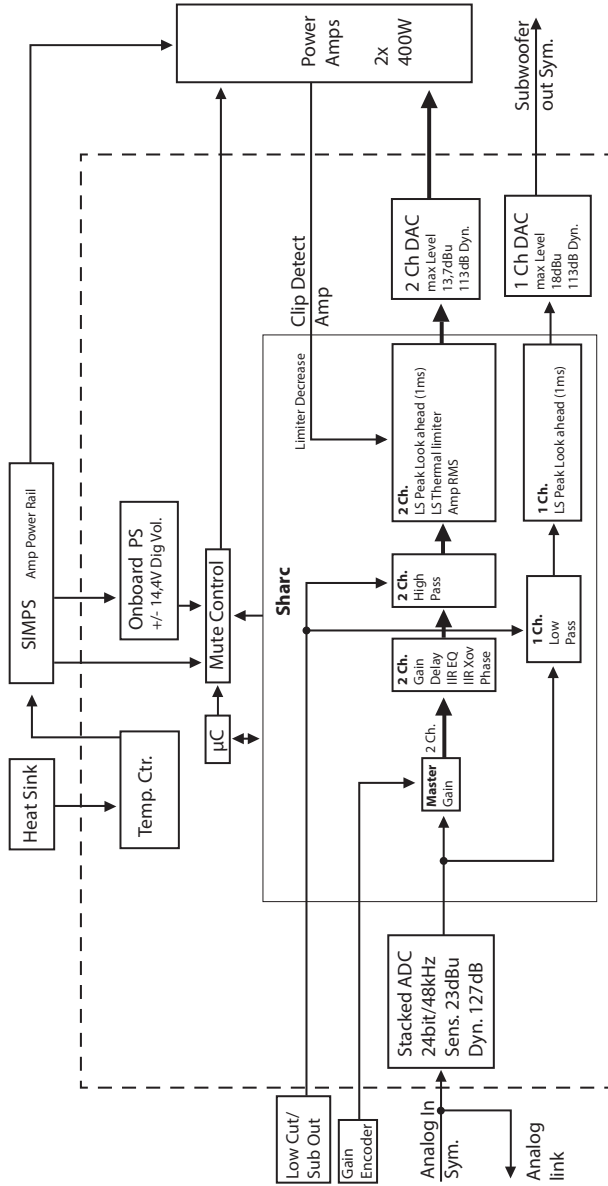
Horizontal Isobars of: LD DDQ12



Vertical Isobars of: LD DDQ12



# DSP BLOCK DIAGRAMME:



ENGLISH

DEUTSCH

FRANCAIS

ESPAÑOL

POLSKI

ITALIANO

## HORN CONFIGURATION:

ENGLISH

DEUTSCH

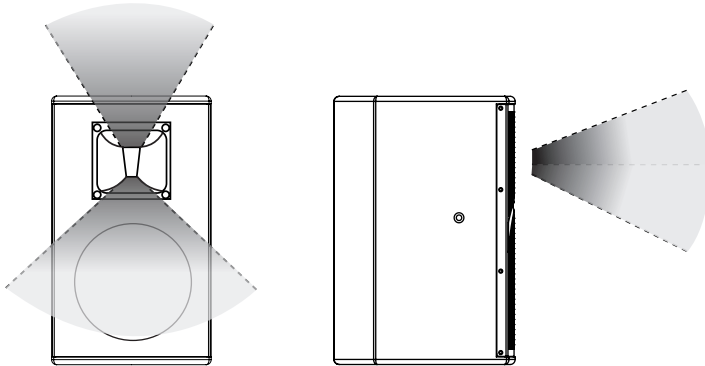
FRANCAIS

ESPAÑOL

POLSKI

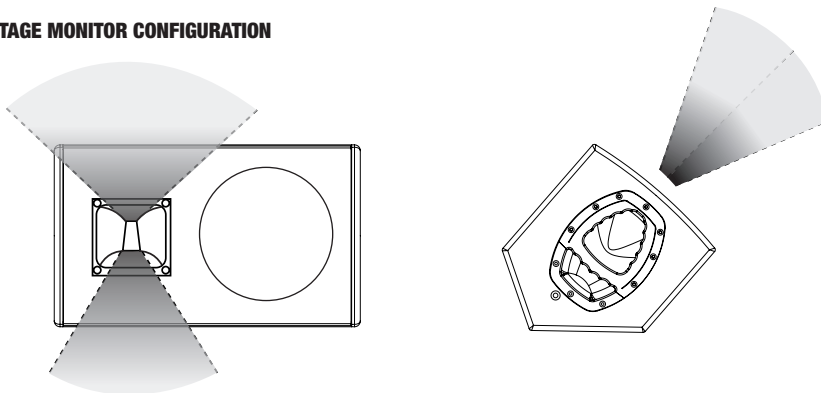
ITALIANO

### FRONT OF HOUSE CONFIGURATION



For the front of house application, the narrower side of the HF horn opening must face downward.

### STAGE MONITOR CONFIGURATION



For use as a stage monitor, the LDDDQ10 and LDDDQ12 can be position lying on their sides (horizontal setup). If necessary, the HF horn can be rotated by 90° in order to attain a greater HF dispersion angle. To do this, the active speaker must first be switched off and disconnected from the mains. Next remove the front grille and loosen and remove the screws on the mounting flange of the horn . Afterwards the horn can be rotated by 90° and re-fastened (please never rotate more than 90°). If the HF horn is to be rotated back for a vertical setup, this must always be done in the opposite direction. Rotating the HF horn multiple times in the same direction can damage the leads to the HF system or its terminals.

## INSTALLATION & MOUNTING:

ENGLISH

DEUTSCH

FRANCAIS

ESPAÑOL

POLSKI

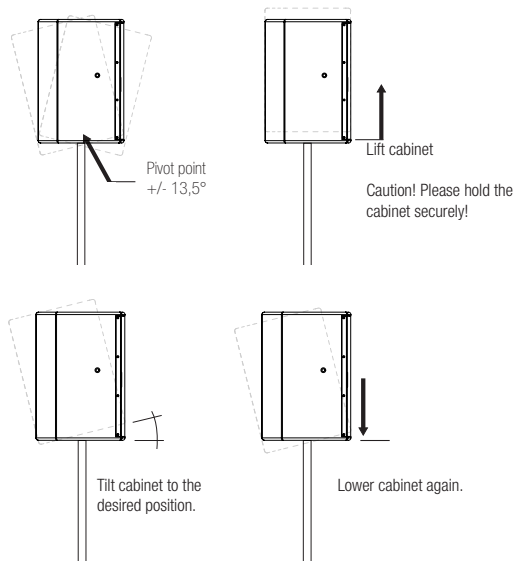
ITALIANO

### ADJUSTING THE SM707 CABINET FLANGE

The built-in, patented SM707 cabinet flange is highly adjustable.

The SM707 permits angles of between + und - 13.5° in increments of 4.5°.

Carefully lift the cabinet a little (approx. 0.5 cm) to unlock the locking mechanism, then tilt the cabinet to the desired position and lower it again.



### FLOWN OPERATION:

The speakers are equipped with appropriate flyware for flown operation.

The LD DDQ series speakers have M8 threads for use with M8 eyelet bolts, which can be used to suspend the speakers

on chains with snap hooks or wire ropes.

Please use only appropriately certified, undamaged flyware (flying points, eyelet bolts, snap hooks, chains, wire ropes, etc.). Please also observe the corresponding requirements for flown operation above persons in correspondingly applicable regulations (varies from country to country)!

As an alternative to flying points, the speakers can be flown using the LDDQ10SB and LDDQ12SB swing brackets developed especially for the LD DDQ series. The assembly instructions can be found on the next two pages of this user's manual. The swing brackets can be fastened securely to crossbar systems, for example, using the optional Adam Hall SCP838 "self-lock" hooks.

### MAINTENANCE:

The best way to clean the surface of the loudspeaker's cabinet is to use a dry, medium-hard brush (wallpaper brush). Use only a dry cloth to clean the control panel.

# SWING BRACKET LDDDQ10SB:

ENGLISH

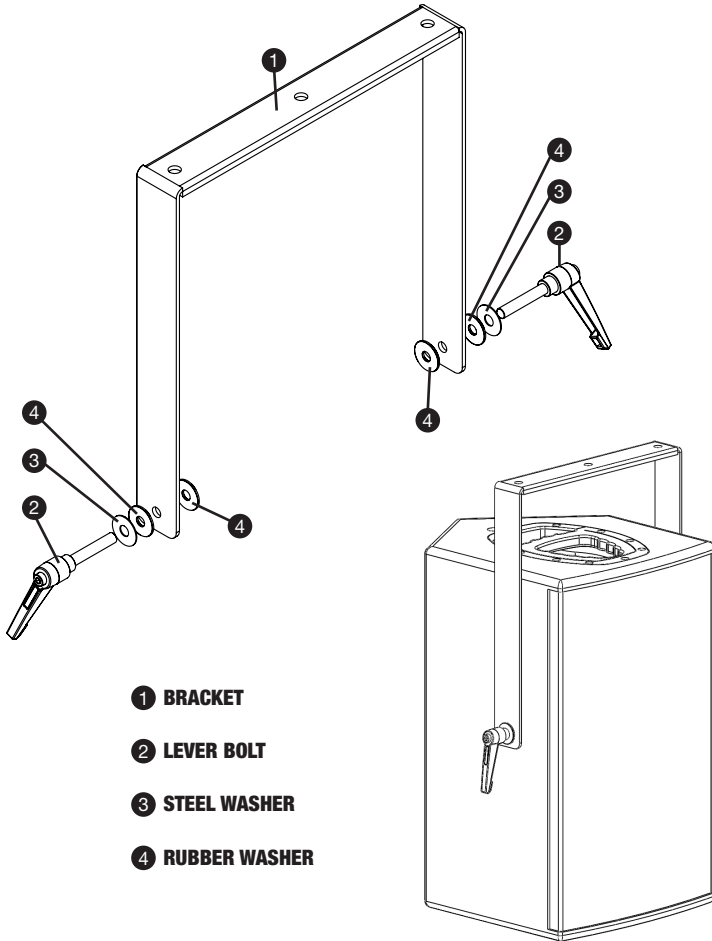
DEUTSCH

FRANCAIS

ESPAÑOL

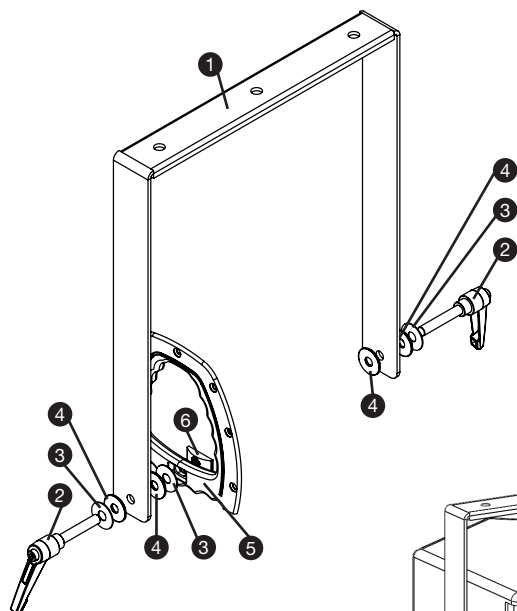
POLSKI

ITALIANO

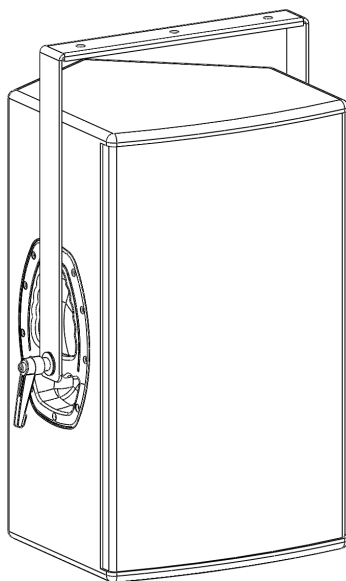


- ① BRACKET
- ② LEVER BOLT
- ③ STEEL WASHER
- ④ RUBBER WASHER

## SWING BRACKET LDDDQ12SB:



- 1 BRACKET
- 2 LEVER BOLT
- 3 STEEL WASHER
- 4 RUBBER WASHER
- 5 HANDLE FRAME
- 6 SEMICIRCULAR NUT



ENGLISH

DEUTSCH

FRANCAIS

ESPAÑOL

POLSKI

ITALIANO

## ACCESSORIES:

ENGLISH

### LDDDQ10B / LDDDQ12B

Protective cover for LDDDQ10 / LDDDQ12



### LDDDQ10WB / LDDDQ12WB

Wall bracket for LDDDQ10 / LDDDQ12



### SPS023S / SPS023

Speaker stands



### SMBS5

Wall mount



### LDDDQ10SB / LDDDQ12SB

Swing bracket for LDDDQ10 / LDDDQ12



DEUTSCH

FRANCAIS

ESPAÑOL

POLSKI

ITALIANO



## SPECIFICATIONS:

ENGLISH

DEUTSCH

FRANCAIS

ESPAÑOL

POLSKI

ITALIANO

Product type:		PA speaker, DSP-controlled	PA speaker, DSP-controlled
Type:		Active	Active
Woofers size:	"	10	12
Woofers size:	mm	254	305
Woofers magnet:		neodymium	neodymium
Woofers brand:		Faital Pro (10PR300, 4 ohms)	Faital Pro (12PR300, 4 ohms)
Woofers voice coil:	"	2,5	2,5
Woofers voice coil:	mm	63,5	63,5
Horn:		asymmetrical horn	asymmetrical horn
Tweeter size:	"	1	1
Tweeter size:	mm	25,4	25,4
Tweeter magnet:		ceramic	ceramic
Tweeter brand:		BMS 4524	BMS 4524
Tweeter voice coil:	"	1	1
Tweeter voice coil:	mm	25,4	25,4
Dispersion angle (H x V):	°	80 x 60 asymmetrical	80 x 50 asymmetrical
AD/DA converter:		24-bit / 48 kHz	24-bit / 48 kHz
DSP:		Sharc	Sharc
Amplifier:		2 x Class D Hypex UCD400	2 x Class D Hypex UCD400
Woofers output (RMS):	W	400	400
Tweeter power output (RMS):	W	400	400
Frequency range:	Hz	59 - 20.000	54 - 20.000
Crossover frequency:	Hz	1.500	1.500
Max. SPL (continuous):	dB	119.5 @ 100 - 10,000Hz continuous program	121 @ 100 - 10,000Hz continuous program
Max. SPL (peak):	dB	132*	134*
Protection:		DSP-based "look ahead" limiter, RMS speaker limiter, RMS power supply limiter, overvoltage, overcurrent	DSP-based "look ahead" limiter, RMS speaker limiter, RMS power supply limiter, overvoltage, overcurrent
Input impedance:	kOhms	10	10
Input sensitivity:	dBu	max. 23	max. 23
Controls:		Gain dB, low-cut / sub out, ground lift, power switch	Gain dB, low-cut / sub out, ground lift, power switch
Indicators:		Operate, signal, peak limit, low-cut / sub out	Operate, signal, peak limit, low-cut / sub out
Line inputs:		1	1
Line input connectors:		XLR	XLR

## SPECIFICATIONS:

Line outputs:		Input link, sub out	Input link, sub out
Line output connectors:		XLR	XLR
Operating voltage:		180 - 264 V AC, 47 - 63 Hz	180 - 264 V AC, 47 - 63 Hz
Cabinet material:		15mm birch plywood	15mm birch plywood
Cabinet surface:		PA painting	PA painting
Cabinet type:		bass reflex	bass reflex
Monitor angle:	°	50	50
Width:	mm	315	360
Height:	mm	530	600
Depth:	mm	370	378
Weight:	kg	15,5	17
Other features:		LD SYSTEMS Evolutive handles, 36 mm cabinet flange, adjustable vertical tilt (SM707), swing-bracket-ready, switchable high pass filter (100 Hz, Butterworth, 18 dB)	LD SYSTEMS Evolutive handles, 36 mm cabinet flange, adjustable vertical tilt (SM707), swing-bracket-ready, switchable high pass filter (100 Hz, Butterworth, 18 dB)
		*Short term max. SPL peak @ 1m with pink noise	*Short term max. SPL peak @ 1m with pink noise

## MANUFACTURER'S DECLARATIONS:

ENGLISH

DEUTSCH

FRANCAIS

ESPAÑOL

POLSKI

ITALIANO

### LIMITED WARRANTY

This Limited Warranty applies to the Adam Hall, LD Systems, Defender, Palmer, Cameo and Eminence branded products.

The statutory warranty rights towards the seller are not affected by this guarantee. In fact, it justifies, additional independent warranty claims towards Adam Hall.

Adam Hall warrants that the Adam Hall product you have purchased from Adam Hall or from an Adam Hall authorized reseller is free from defects in materials or workmanship under normal use for a period of 2 or 3 years from the date of purchase.

The Limited Warranty Period starts on the date of purchase. In order to receive warranty services you are required to provide proof of the purchase date. Your dated sales or delivery receipt, showing the date of purchase, is your proof of the purchase date. Should products of the brands named above be in need of repair within the limited warranty period, you are entitled to warranty services according to the terms and conditions stated in this document.

This Limited Warranty extends only to the original purchaser of this Adam Hall branded product and is not transferable to anyone who obtains ownership of the Adam Hall branded product from the original purchaser. During the Limited Warranty Period, Adam Hall will repair or replace the defective component parts or the product. All component parts or hardware products removed under this Limited Warranty become the property of Adam Hall.

In the unlikely event that your Adam Hall product has a recurring failure, Adam Hall, at its discretion, may elect to provide you with a replacement unit of Adam Hall's choice that is at least equivalent to your Adam Hall branded product in hardware performance.

Adam Hall does not warrant that the operation of this product will be uninterrupted or error-free. Adam Hall is not responsible for damage that occurs as a result of your failure to follow the instructions included with the Adam Hall branded product.

This Limited Warranty does not apply,

- to wear parts (e.g. accumulator)
- to any product from which the serial number has been removed or that has been damaged or rendered defective as the result of an accident
- in case of, misuse, abuse, or other external causes
- by operation outside the usage parameters stated in the user's documentation shipped with the product by use of spare parts not manufactured or sold by Adam Hall
- by modification or service by anyone other than Adam Hall

These terms and conditions constitute the complete and exclusive warranty agreement between you and Adam Hall regarding the Adam Hall branded product you have purchased.



## MANUFACTURER'S DECLARATIONS:

### LIMITATION OF LIABILITY

If your Adam Hall branded hardware product fails to work as warranted above, your sole and exclusive remedy shall be repair or replacement. Adam Hall's maximum liability under this limited warranty is expressly limited to the lesser of the price you have paid for the product or the cost of repair or replacement of any hardware components that malfunction in conditions of normal use.

Adam Hall is not liable for any damages caused by the product or the failure of the product, including any lost profits or savings or special, incidental, or consequential damages. Adam Hall is not liable for any claim made by a third party or made by you for a third party.

This limitation of liability applies whether damages are sought, or claims are made, under this Limited Warranty or as a tort claim (including negligence and strict product liability), a contract claim, or any other claim. This limitation of liability cannot be waived or amended by any person. This limitation of liability will be effective even if you have advised Adam Hall of an authorized representative of Adam Hall of the possibility of any such damages. This limitation of liability however, will not apply to claims for personal injury.

This Limited Warranty gives you specific legal rights. You may also have other rights that may vary from state to state or from country to country. You are advised to consult applicable state or country laws for a full determination of your rights.

### REQUESTING WARRANTY-SERVICE

To request warranty service for the product, contact Adam Hall or the Adam Hall authorized reseller from which you purchased the product.

### EC DECLARATION OF CONFORMITY

These devices meet the essential requirements and further relevant specifications of Directives 2004/108/EC (EMC) and 2006/95/EC (LVD). For more information, see [www.adamhall.com](http://www.adamhall.com).

### CORRECT DISPOSAL OF THIS PRODUCT (ELECTRICAL WASTE)

(Applicable in the European Union and other European countries with separate collection systems)



This marking shown on the product or its literature, indicates that it should not be disposed with other household wastes at the end of its working life. To prevent possible harm to the environment or human health from uncontrolled waste disposal, please separate this from other types of wastes and recycle it responsibly to promote the sustainable reuse of material resources.

Household users should contact either the retailer where they purchased this product, or their local government office, for details on where and how they can recycle this item in an environmentally friendly manner.

Business users should contact their supplier and check the terms and conditions of the purchase contract. This product should not be mixed with other commercial wastes for disposal.

ENGLISH

DEUTSCH

FRANCAIS

ESPAÑOL

POLSKI

ITALIANO

## MANUFACTURER'S DECLARATIONS:

ENGLISH

DEUTSCH

FRANCAIS

ESPAÑOL

POLSKI

ITALIANO

### WEEE-DECLARATION



Your LD Systems product was developed and manufactured with high quality materials and components which can be recycled and/or reused. This symbol indicates that electrical and electronic equipment must be disposed of separately from normal waste at the end of its operational lifetime.

Please dispose of this product by bringing it to your local collection point or recycling centre for such equipment. This will help to protect the environment in which we all live.

### BATTERIES AND ACCUMULATORS



The supplied batteries or rechargeable batteries can be recycled. Please dispose of them as special waste or return them to your specialist dealer. In order to protect the environment, only dispose exhausted batteries.

### ECOLOGY AND ENERGY SAVING

Saving electric energy helps to protect the environment. Please turn off all electrical equipment when it is not in use. To avoid power consumption in idle mode, disconnect all electrical equipment from mains when not in use.

Adam Hall GmbH, all rights reserved. The technical data and the functional product characteristics can be subject to modifications. The photocopying, the translation, and all other forms of copying of fragments or of the integrality of this user's manual is prohibited.

## Sie haben die richtige Wahl getroffen!

Diese LD Systems Produkte werden Sie lange Jahre durch Zuverlässigkeit, Wirtschaftlichkeit und einfaches Handling überzeugen. Dafür garantiert LD Systems mit seinem Namen und seiner in vielen Jahren erworbenen Kompetenz als Hersteller hochwertiger Geräte.

Nehmen Sie sich nun ein paar Minuten Zeit, diese Anleitung zu lesen. Wir möchten, dass Sie einfach und schnell in den Genuss dieser Technik kommen.

Mehr Informationen zu LD SYSTEMS finden Sie auf unserer Internetseite [WWW.LD-SYSTEMS.COM](http://WWW.LD-SYSTEMS.COM)

## Einführung

Die überragende Leistung der LD Systems DDQ-Serie ist das Resultat einer präzisen Konzeption und perfekten Ausstattung, die nur Bestnoten verdient.

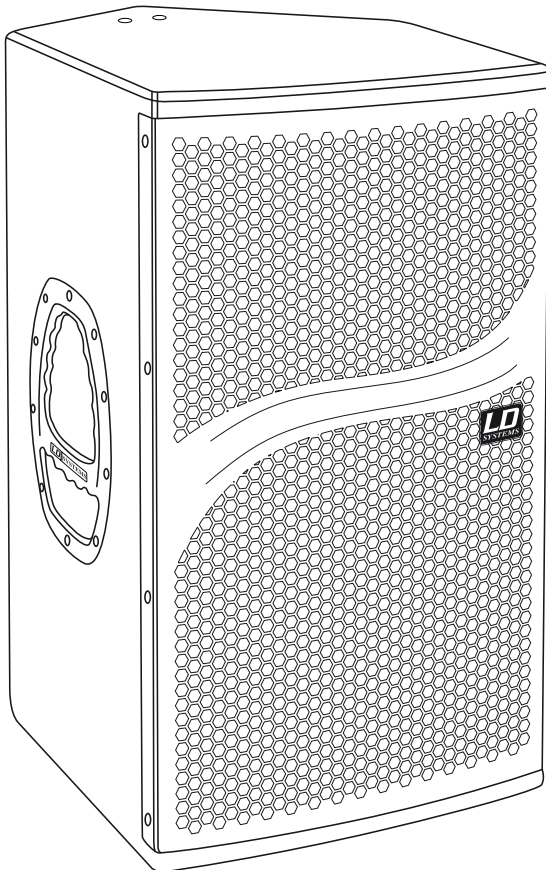
Die DDQ-Systeme sind mit Tief/Mitteltönern von Faital Pro und BMS Hochtrentreibern bestückt. Sie werden von zwei Hypex UCD400 400W-Endstufenmodulen separat angesteuert.

Das Signal bearbeitet ein eigens für die DDQ-Aktivsysteme programmierter Sharc DSP, dessen Wandler einen beachtlichen Dynamikumfang von 127dB besitzen. Er übernimmt sämtliche Schutzfunktionen, wobei der vorausschauende Peak Limiter besonders hervorgehoben werden muss. Er sorgt mit einer Look Ahead-Zeit von 1 Millisekunde für eine absolut verzerrungsfreie Wiedergabe selbst bei höchsten Lautstärken.

Die Bassreflexkonstruktion der DDQ-Aktivlautsprecher ist aus Multiplex. Dank der innovativen Evolutive-Griffe und ihres vergleichsweise geringen Gewichts sind DDQ 10" und 12" Aktivlautsprecher bequem zu transportieren. Sie sind für alle PA-Anwendungen konzipiert: für den mobilen Einsatz, zur Festinstallation, in Kompaktanlagen, FOH-Systemen oder Verzögerungslinien und Dank ihres integrierten 50°-Winkel auch als Bühnenmonitore einzusetzen. Alle DDQ-Systeme werden in Deutschland gefertigt!

# LD **DDQ** SERIE

**DSP** GESTEUERTER 2-WEGE AKTIV-LAUTSPRECHER  
LDDDQ10 / LDDDQ12



ENGLISH

DEUTSCH

FRANCAIS

ESPAÑOL

POLSKI

ITALIANO

## SICHERHEITSHINWEISE:

1. Lesen Sie diese Anleitung bitte sorgfältig durch.
2. Bewahren Sie alle Informationen und Anleitungen an einem sicheren Ort auf.
3. Befolgen Sie die Anweisungen.
4. Beachten Sie alle Warnhinweise. Entfernen Sie keine Sicherheitshinweise oder andere Informationen vom Gerät.
5. Verwenden Sie das Gerät nur in der vorgesehenen Art und Weise.
6. Verwenden Sie ausschließlich stabile und passende Stative bzw. Befestigungen (bei Festinstallationen). Stellen Sie sicher, dass Wandhalterungen ordnungsgemäß installiert und gesichert sind. Stellen Sie sicher, dass das Gerät sicher installiert ist und nicht herunterfallen kann.
7. Beachten Sie bei der Installation die für Ihr Land geltenden Sicherheitsvorschriften.
8. Installieren und betreiben Sie das Gerät nicht in der Nähe von Heizkörpern, Wärmespeichern, Öfen oder sonstigen Wärmequellen. Sorgen Sie dafür, dass das Gerät immer so installiert ist, dass es ausreichend gekühlt wird und nicht überhitzen kann.
9. Platzieren Sie keine Zündquellen wie z.B. brennende Kerzen auf dem Gerät.
10. Lüftungsschlitze dürfen nicht blockiert werden.
11. Betreiben Sie das Gerät nicht in unmittelbarer Nähe von Wasser. Bringen Sie das Gerät nicht mit brennbaren Materialien, Flüssigkeiten oder Gasen in Berührung.
12. Sorgen Sie dafür, dass kein Tropf- oder Spritzwasser in das Gerät eindringen kann. Stellen Sie keine mit Flüssigkeit gefüllten Behältnisse wie Vasen oder Trinkgefäße auf das Gerät.
13. Sorgen Sie dafür, dass keine Gegenstände in das Gerät fallen können.
14. Betreiben Sie das Gerät nur mit dem vom Hersteller empfohlenen und vorgesehenen Zubehör.
15. **ACHTUNG:** Wenn das Netzkabel des Geräts mit einem Schutzkontakt ausgestattet ist, muss es an einer Steckdose mit Schutzleiter angeschlossen werden. Deaktivieren Sie niemals den Schutzleiter eines Netzkabels.
16. Schalten Sie das Gerät nicht sofort ein, wenn es starken Temperaturschwankungen ausgesetzt war (beispielsweise nach dem Transport). Feuchtigkeit und Kondensat könnten das Gerät beschädigen. Schalten Sie das Gerät erst ein, wenn es Zimmertemperatur erreicht hat.
17. Öffnen Sie das Gerät nicht und verändern Sie es nicht.
18. Bevor Sie das Gerät an die Steckdose anschließen, prüfen Sie zuerst, ob die Spannung und die Frequenz des Stromnetzes mit den auf dem Gerät angegebenen Werten übereinstimmen. Verfügt das Gerät über einen Spannungswahlschalter, schließen Sie das Gerät nur an die Steckdose an, wenn die Geräterwerte mit den Werten des Stromnetzes übereinstimmen.  
Wenn das mitgelieferte Netzkabel bzw. der mitgelieferte Netzadapter nicht in Ihre Netzsteckdose passt, wenden Sie sich an Ihren Elektriker.
19. Treten Sie nicht auf das Netzkabel. Sorgen Sie dafür, dass spannungsführende Kabel speziell an der Netzbuchse bzw. am Netzadapter und der Gerätebuchse nicht geknickt werden.
20. Überprüfen Sie nach dem Anschluss des Geräts alle Kabelwege, um Schäden oder Unfälle, z. B. durch Stolperfallen zu vermeiden.
21. Achten Sie bei der Verkabelung des Geräts immer darauf, dass das Netzkabel bzw. der Netzadapter stets frei zugänglich ist. Trennen Sie das Gerät stets von der Stromzuführung, wenn das Gerät nicht benutzt wird, oder Sie das Gerät reinigen möchten.  
Ziehen Sie Netzkabel und Netzadapter immer am Stecker bzw. am Adapter und nicht am Kabel aus der Steckdose. Berühren Sie Netzkabel und Netzadapter niemals mit nassen Händen.
22. Schalten Sie das Gerät möglichst nicht schnell hintereinander ein und aus, da sonst die Lebensdauer des Geräts beeinträchtigt werden könnte.



## SICHERHEITSHINWEISE:

ENGLISH

DEUTSCH

FRANCAIS

ESPAÑOL

POLSKI

ITALIANO

23. **WICHTIGER HINWEIS:** Ersetzen Sie Sicherungen ausschließlich durch Sicherungen des gleichen Typs und Werten. Sollte eine Sicherung wiederholt auslösen, wenden Sie sich bitte an ein autorisiertes Servicezentrum.
24. Um das Gerät vollständig vom Stromnetz zu trennen, entfernen Sie das Netzkabel bzw. den Netzadapter aus der Steckdose.
25. Wenn Ihr Gerät mit einem Volex-Netzanschluss bestückt ist, muss der passende Volex-Gerätestecker entsperrt werden, bevor er entfernt werden kann. Das bedeutet aber auch, dass das Gerät durch eine Ziehen am Netzkabel verrutschen und herunterfallen kann, wodurch Personen verletzt werden und/oder andere Schäden auftreten können. Verlegen Sie Ihre Kabel daher immer sorgfältig.
26. Entfernen Sie Netzkabel und Netzadapter aus der Steckdose bei Gefahr eines Blitzschlags oder wenn Sie das Gerät länger nicht verwenden.
27. Achten Sie beim Transport darauf, dass das Gerät nicht herunterfallen und dabei möglicherweise Sach- und Personenschäden verursachen kann.
28. Wenn Ihr Gerät nicht mehr ordnungsgemäß funktioniert, Flüssigkeiten oder Gegenstände in das Geräteinnere gelangt sind, oder das Gerät anderweitig beschädigt wurde, schalten Sie es sofort aus und trennen es von der Netzsteckdose. Dieses Gerät darf nur von autorisiertem Fachpersonal repariert werden.
29. Verwenden Sie zur Reinigung des Geräts ein trockenes Tuch.
30. Beachten Sie alle in Ihrem Land geltenden Entsorgungsgesetze. Trennen Sie bei der Entsorgung bitte Kunststoff und Papier bzw. Kartonagen voneinander.
31. Kunststoffbeutel müssen außer Reichweite von Kindern aufbewahrt werden.



### ACHTUNG:

Entfernen Sie niemals die Abdeckung, da sonst das Risiko eines elektrischen Schlages besteht. Im Inneren des Geräts befinden sich keine Teile, die vom Bediener repariert oder gewartet werden können. Lassen Sie Reparaturen ausschließlich von qualifiziertem Service-Personal durchführen.



Das gleichschenkelige Dreieck mit dem Blitzsymbol kennzeichnet nicht-isolierte, „gefährliche“ Spannungen im Gerät, die einen für die Gesundheit gefährlichen Stromschlag verursachen können.

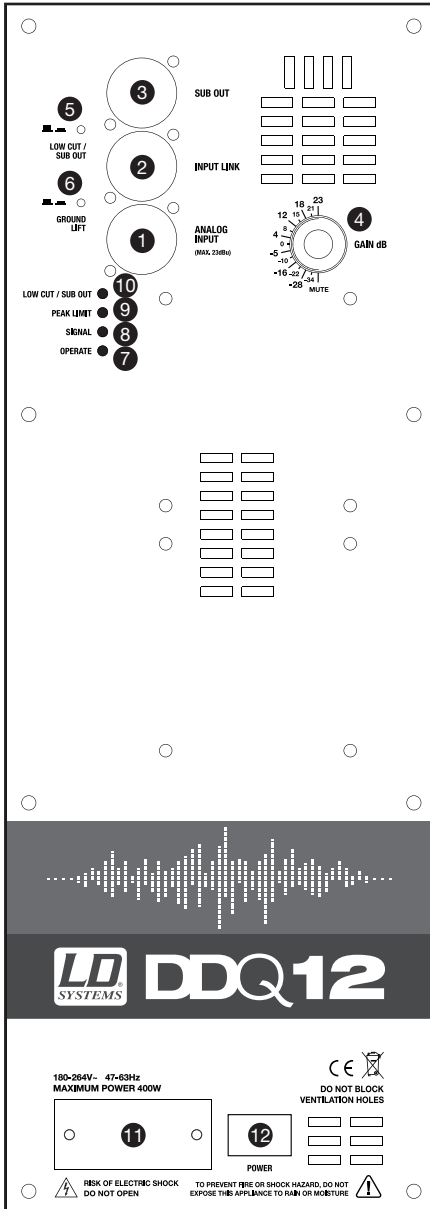


Das gleichschenkelige Dreieck mit dem Ausrufezeichen kennzeichnet wichtige Bedienungs- und Wartungshinweise

### ACHTUNG! HOHE LAUTSTÄRKEN!

Dieses Gerät ist für den professionellen Einsatz vorgesehen. Der kommerzielle Betrieb dieses Geräts unterliegt den jeweils gültigen nationalen Vorschriften und Richtlinien zur Unfallverhütung. Als Hersteller ist Adam Hall gesetzlich verpflichtet, Sie ausdrücklich auf mögliche Gesundheitsrisiken hinzuweisen. Gehörschäden durch hohe Lautstärken und Dauerbelastung: Bei der Verwendung dieses Produkts können hohe Schalldruckpegel (SPL) erzeugt werden, die bei Künstlern, Mitarbeitern und Zuschauern zu irreparablen Gehörschäden führen können. Vermeiden Sie länger anhaltende Belastung durch hohe Lautstärken über 90 dB.

# RÜCKSEITE / BEDIENELEMENTE (LDDQ12 ABGEBILDET):



## 1 ANALOG INPUT

Symmetrischer XLR Line-Eingang (max. 23 dBu).

## 2 INPUT LINK

Symmetrischer XLR Line-Ausgang.

## 3 SUB OUT

Symmetrischer XLR Subwoofer Line-Ausgang.

## 4 GAIN DB

Regler für die Eingangsempfindlichkeit, respektive die Lautstärke des Verstärker-Moduls. Bei Überschreitung des maximalen Eingangspegels (23dBu) wird dies durch gemeinsames Blinken der LEDs 7-10 signalisiert. Verringern Sie in diesem Fall den Pegel der Signalquelle, um Klangbeeinträchtigungen zu vermeiden.

## 5 LOW CUT / SUB OUT

Über den Schalter werden am DDQ10/12 sowohl der Hochpassfilter (100 Hz, 18 dB/Okt. Butterworth) als auch der der Tiefpassfilter (100 Hz, 18 dB/Okt. Butterworth) für den SUB OUT aktiviert. Ist der Schalter nicht gedrückt, wird das Ausgangssignal für den Subwoofer unbearbeitet ausgegeben.

## 6 GROUND LIFT

Kann Brummschleifen verhindern, sobald Geräte mit unterschiedlichem Erdungspotential angeschlossen werden.

## 7 OPERATE LED

Leuchtet auf, sobald das Lautsprechersystem eingeschaltet und korrekt am Stromnetz angeschlossen ist.

## 8 SIGNAL LED

Leuchtet auf, sobald ein Audiosignal am Line-Eingang anliegt (> -30dBu).

## RÜCKSEITE / BEDIENELEMENTE (LDDDQ12 ABGEBILDET):

- 9 PEAK LIMIT LED**  
Leuchtet auf, sobald der Lautsprecher im Grenzbereich betrieben wird. Kurzzeitiges Aufleuchten ist dabei unkritisch, da der interne Audio-Limiter Übersteuerungen ausregelt. Dauerhaftes Leuchten sollte durch Absenken des Eingangspiegels vermieden werden.
- 10 LOW CUT / SUB OUT LED**  
Leuchtet auf, wenn der dazugehörige Schalter gedrückt ist.
- 11 NETZEINGANG**  
(180 - 264 V AC, 47 - 63 Hz)  
Anschluss über das mitgelieferte IEC-Netzkabel.
- 12 NETZSCHALTER**  
Zum Ein- und Ausschalten des Gerätes.

ENGLISH

DEUTSCH

FRANCAIS

ESPAÑOL

POLSKI

ITALIANO

# FREQUENZGANG:

ENGLISH

DEUTSCH

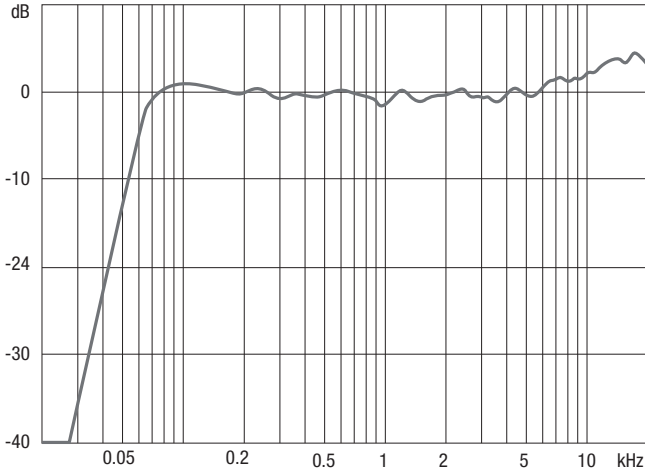
FRANCAIS

ESPAÑOL

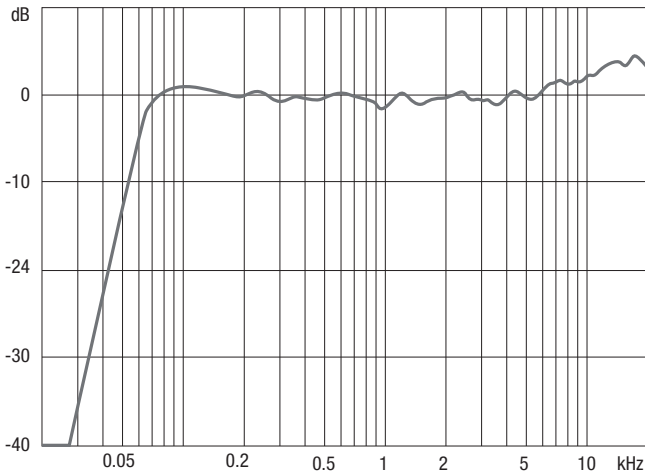
POLSKI

ITALIANO

**LDDDQ10**



**LDDDQ12**



# ABSTRAHLVERHALTEN:

ENGLISH

DEUTSCH

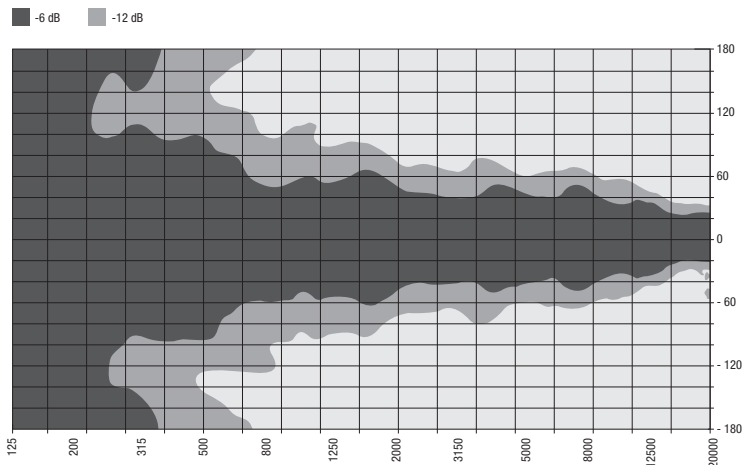
FRANCAIS

ESPAÑOL

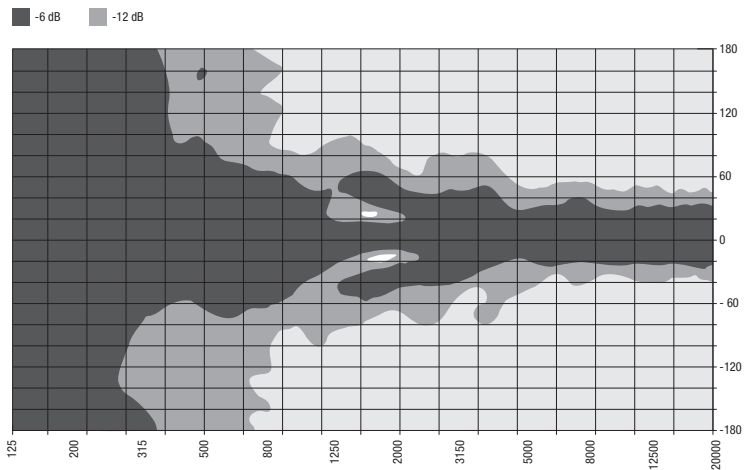
POLSKI

ITALIANO

Horizontal Isobars of: LD DDQ10



Vertical Isobars of: LD DDQ10



# ABSTRAHLVERHALTEN:

ENGLISH

DEUTSCH

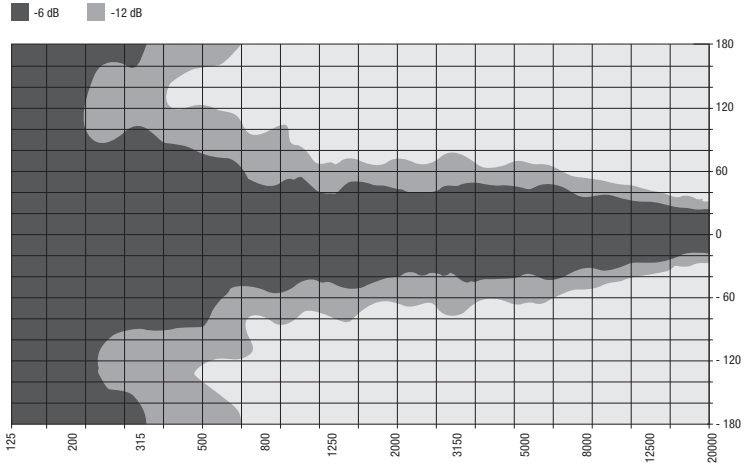
FRANCAIS

ESPAÑOL

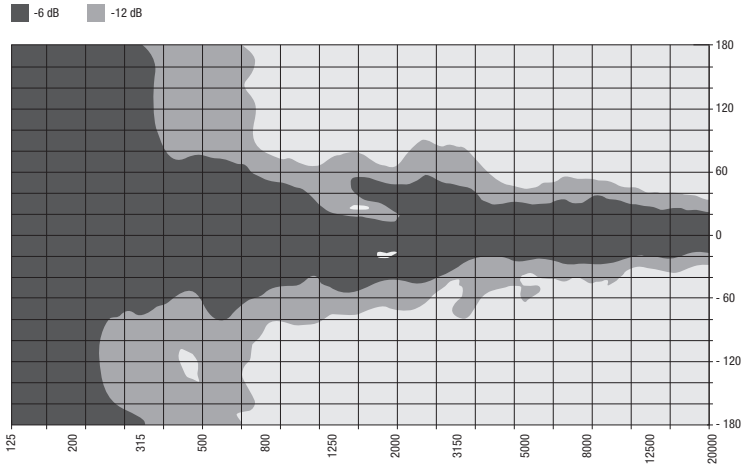
POLSKI

ITALIANO

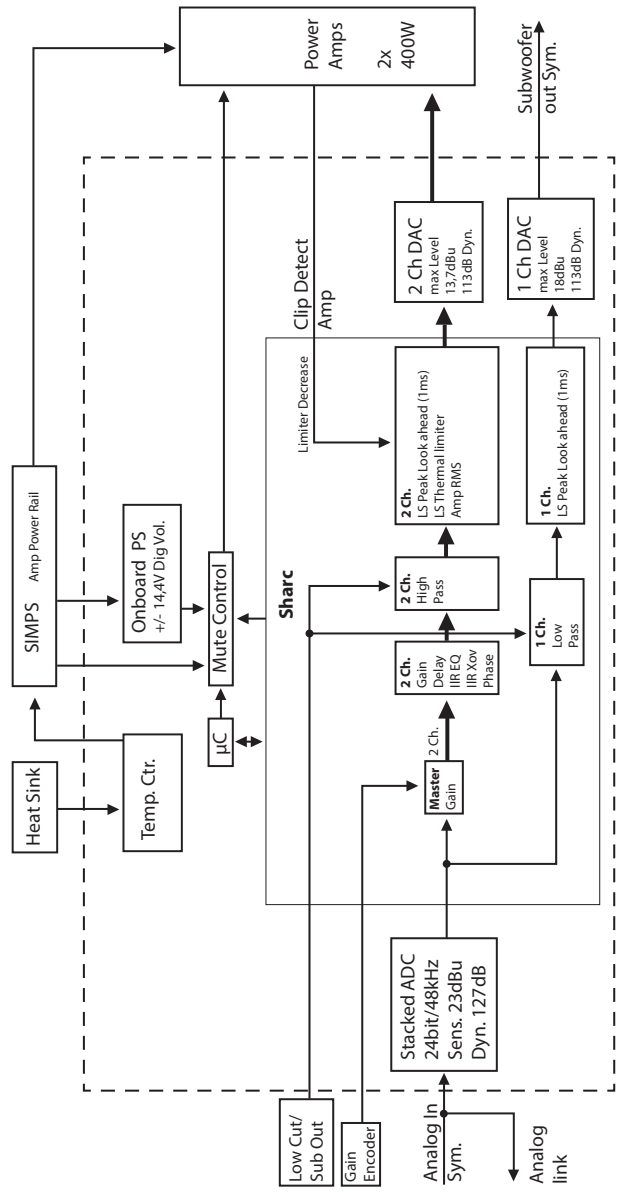
Horizontal Isobars of: LD DDQ12



Vertical Isobars of: LD DDQ12



# DSP BLOCK DIAGRAMM:



- ENGLISH
- DEUTSCH
- FRANCAIS
- ESPAÑOL
- POLSKI
- ITALIANO

## HORN KONFIGURATION:

ENGLISH

DEUTSCH

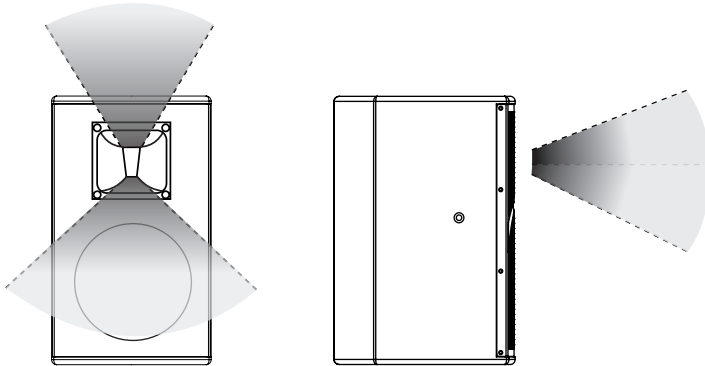
FRANCAIS

ESPAÑOL

POLSKI

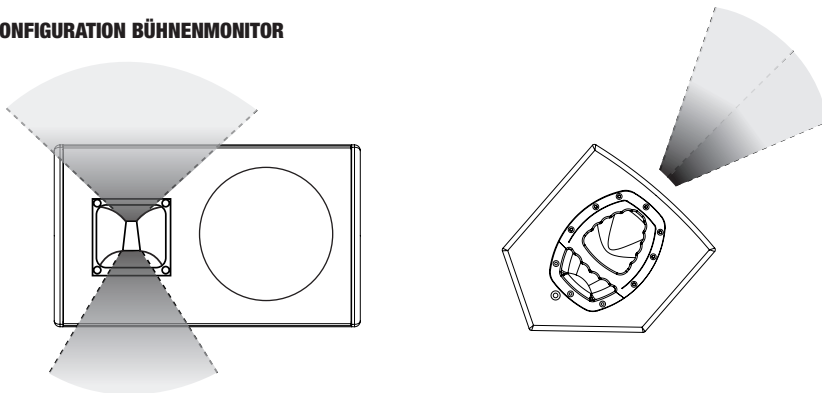
ITALIANO

### KONFIGURATION FRONT OF HOUSE



Für die Anwendung Front of House muss die schmalere Seite der HF-Horn-Öffnung nach unten zeigen.

### KONFIGURATION BÜHNENMONITOR



Für den Betrieb als Bühnenmonitor können die LDDDQ10 und LDDDQ12 auf der Seite liegend aufgestellt werden (horizontale Aufstellung). Bei Bedarf kann das Hochtonhorn um 90° gedreht werden, um einen größeren Abstrahlwinkel im Hochtonbereich zu erhalten. Dazu ist die Aktivbox vorher auszuschalten und vom Stromnetz zu trennen. Dann ist das Frontgitter zu entfernen und die Schrauben am Befestigungsflansch des Horns müssen gelöst und entfernt werden. Danach kann das Horn um 90° gedreht und wieder befestigt werden (Bitte nie mehr als 90° drehen). Soll das Hochtonhorn wieder für eine vertikale Aufstellung zurückgedreht werden, ist dies unbedingt in der entgegengesetzten Richtung auszuführen. Wird das Hochtonhorn mehrmals in die gleiche Richtung gedreht, kann die Zuleitung zum Hochtonsystem oder dessen Terminals beschädigt werden.



# INSTALLATION & MONTAGE:

ENGLISH

DEUTSCH

FRANCAIS

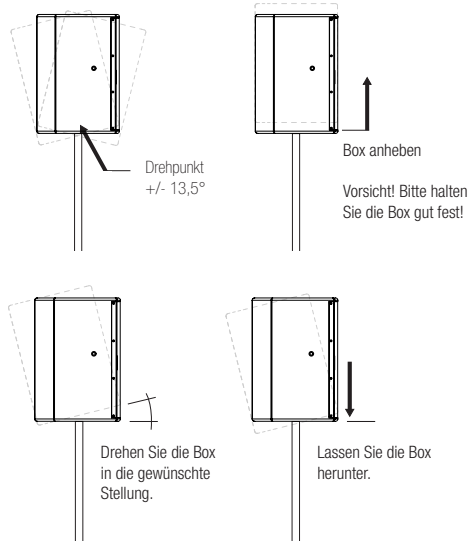
ESPAÑOL

POLSKI

ITALIANO

## EINSTELLUNG SM707 BOXENSTATIV-FLANSCH

Der integrierte, patentierte Boxenstativ-Flansch SM707 lässt sich extrem flexibel einstellen. Mit dem SM707 sind Neigungswinkel zwischen + und - 13,5 Grad in 4,5° Schritten möglich. Heben Sie die Box vorsichtig ein Stück (ca. 0,5 cm) an, um den Sperrmechanismus zu entriegeln, drehen Sie die Box dann in die gewünschte Stellung und lassen Sie sie wieder herunter.



## FLUGBETRIEB:

Die Lautsprecher sind für den fliegenden Betrieb mit entsprechender Flyware vorbereitet. Die Boxen der LD DDQ-Serie verfügen über M8 Gewinde zum Einsatz von M8 Schraubösen, mit denen die Boxen über Karabiner an Ketten, oder Drahtseilen aufgehängt werden können. Bitte benutzen Sie ausschließlich entsprechend zertifizierte, unbeschädigte Flyware (Flugösen, Schraubösen, Karabiner, Ketten, Drahtseile etc.). Bitte beachten Sie auch die entsprechenden Anforderungen zum Flugbetrieb über Personen in entsprechenden gültigen Vorschriften (landesabhängig)!

Alternativ zu Flugösen können eigens für die LD DDQ-Serie entwickelte Schwenkbügel LDDDQ10SB und LDDDQ12SB für den Flugbetrieb eingesetzt werden. Die Montageanleitungen finden Sie auf den folgenden 2 Seiten dieser Bedienungsanleitung. Die sichere Befestigung der Schwenkbügel an Traversensystemen erfolgt beispielsweise über den optionalen Adam Hall „Self-Lock“ Haken SCP838.

## PFLEGEHINWEIS:

Verwenden Sie zur Reinigung des Lautsprechergehäuses am besten eine trockene mittelharte Bürste (z. B. Tapezierbürste) und zur Reinigung der Bedienoberfläche ein trockenes Tuch.

# SCHWENKBÜGEL LDDDQ10SB:

ENGLISH

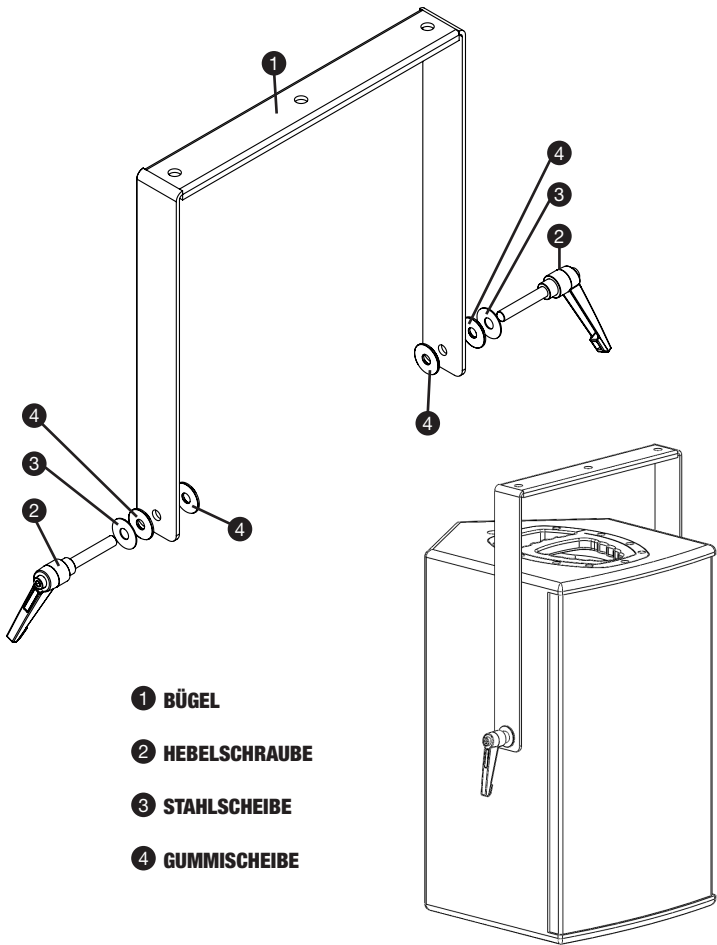
DEUTSCH

FRANCAIS

ESPAÑOL

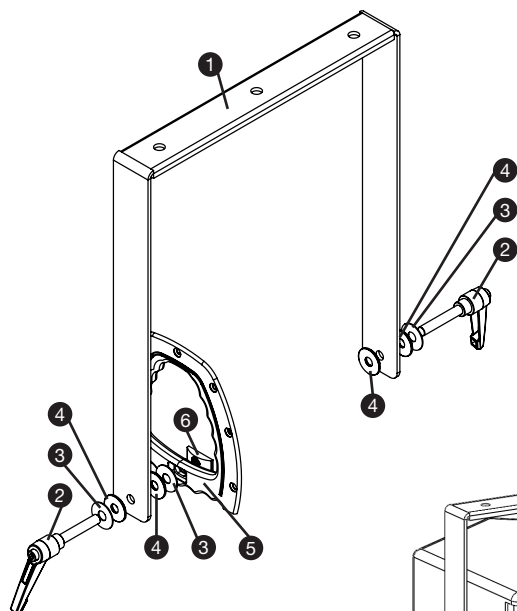
POLSKI

ITALIANO

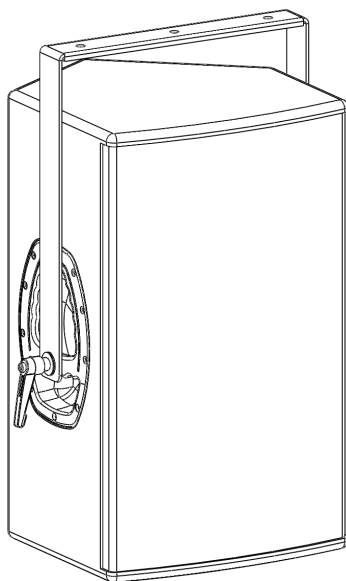


- ① BÜGEL
- ② HEBELSCHRAUBE
- ③ STAHLSCHEIBE
- ④ GUMMISCHEIBE

# SCHWENKBÜGEL LDDDQ12SB:



- ① BÜGEL
- ② HEBELSCHRAUBE
- ③ STAHLSCHEIBE
- ④ GUMMISCHEIBE
- ⑤ GRIFFRAHMEN
- ⑥ HALBRUNDMUTTER



ENGLISH

DEUTSCH

FRANCAIS

ESPAÑOL

POLSKI

ITALIANO

## ZUBEHÖR:

### LDDDQ10B / LDDDQ12B

Schutzhülle für LDDDQ10 / LDDDQ12



### LDDDQ10WB / LDDDQ12WB

Wandmontagebügel für LDDDQ10 / LDDDQ12



### SPS023S / SPS023

Boxenständer



### SMBS5

Wandmontageplatte



### LDDDQ10SB / LDDDQ12SB

Schwenkbügel für LDDDQ10 / LDDDQ12



## SPEZIFIKATIONEN:

ENGLISH

DEUTSCH

FRANCAIS

ESPAÑOL

POLSKI

ITALIANO

Produktart:		PA-Lautsprecher, DSP gesteuert	PA-Lautsprecher, DSP gesteuert
Typ:		Aktiv	Aktiv
Größe Tief-/Mitteltöner:	"	10	12
Größe Tief-/Mitteltöner:	mm	254	305
Magnet Tief-/Mitteltöner:		Neodym	Neodym
Marke Tief-/Mitteltöner:		Faital Pro (10PR300, 4 Ohm)	Faital Pro (12PR300, 4 Ohm)
Schwingspule Tief-/Mitteltöner:	"	2,5	2,5
Schwingspule Tief-/Mitteltöner:	mm	63,5	63,5
Horn:		unsymmetrisches Horn	unsymmetrisches Horn
Größe Hochtöner:	"	1	1
Größe Hochtöner:	mm	25,4	25,4
Magnet Hochtöner:		Ceramic	Ceramic
Marke Hochtöner:		BMS 4524	BMS 4524
Schwingspule Hochtöner:	"	1	1
Schwingspule Hochtöner:	mm	25,4	25,4
Abstrahlwinkel (H x V):	°	80 x 60 unsymmetrisch	80 x 50 unsymmetrisch
AD/DA Wandler:		24 Bit / 48 kHz	24 Bit / 48 kHz
DSP:		Sharc	Sharc
Verstärker:		2 x Class D Hypex UCD400	2 x Class D Hypex UCD400
Leistung Tieftöner (RMS):	W	400	400
Leistung Hochtöner (RMS):	W	400	400
Frequenzgang:	Hz	59 - 20.000	54 - 20.000
Übernahmefrequenz:	Hz	1.500	1.500
Max. SPL (continuous):	dB	119,5 @ 100 - 10.000Hz continuous program	121 @ 100 - 10.000Hz continuous program
Max SPL (peak):	dB	132*	134*
Schutzschaltungen:		DSP basierender „look ahead“ Limiter, RMS Lautsprecher Limiter, RMS Netzteil Limiter, Überspannung, Überstrom	DSP basierender „look ahead“ Limiter, RMS Lautsprecher Limiter, RMS Netzteil Limiter, Überspannung, Überstrom
Eingangsimpedanz:	kOhm	10	10
Eingangsempfindlichkeit:	dBu	max. 23	max. 23

## SPEZIFIKATIONEN:

ENGLISH

DEUTSCH

FRANCAIS

ESPAÑOL

POLSKI

ITALIANO

Bedienelemente:		Gain dB, Low-Cut / Sub Out, Ground Lift, Netzschalter	Gain dB, Low-Cut / Sub Out, Ground Lift, Netzschalter
Anzeigeelemente:		Operate, Signal, Peak Limit, Low-Cut / Sub Out	Operate, Signal, Peak Limit, Low-Cut / Sub Out
Line-Eingänge:		1	1
Line-Eingangsanschluss:		XLR	XLR
Line-Ausgänge:		Input Link, Sub Out	Input Link, Sub Out
Line-Ausgangsanschlüsse:		XLR	XLR
Betriebsspannung:		180 - 264 V AC, 47 - 63 Hz	180 - 264 V AC, 47 - 63 Hz
Gehäusematerial:		15mm Birch Plywood	15mm Birch Plywood
Gehäuseoberfläche:		PA Painting	PA Painting
Gehäusebauart:		Bassreflex	Bassreflex
Monitorwinkel:	°	50	50
Breite:	mm	315	360
Höhe:	mm	530	600
Tiefe:	mm	370	378
Gewicht:	kg	15,5	17
Weitere Eigenschaften:		LD SYSTEMS Evolutive Griffe, Hochständerflansch 36 mm, vertikal neigbar (SM707), vorbereitet für Schwenkbügel, schaltbarer Hochpassfilter (100 Hz, Butterworth, 18 dB)	LD SYSTEMS Evolutive Griffe, Hochständerflansch 36 mm, vertikal neigbar (SM707), vorbereitet für Schwenkbügel, schaltbarer Hochpassfilter (100 Hz, Butterworth, 18 dB)
		*Short Term Max. SPL Peak @ 1m with Pink Noise	*Short Term Max. SPL Peak @ 1m with Pink Noise

## HERSTELLERERKLÄRUNGEN:

ENGLISH

DEUTSCH

FRANCAIS

ESPAÑOL

POLSKI

ITALIANO

### GARANTIEBESTIMMUNGEN

Diese Garantie erstreckt sich auf die Marken Adam Hall, LD Systems, Defender, Palmer, Cameo und Eminence.

Die gesetzlichen Gewährleistungsrechte gegenüber dem Verkäufer werden von dieser Garantie nicht berührt. Vielmehr begründet diese Garantie zusätzliche selbständige Ansprüche gegenüber Adam Hall.

Mit dieser Garantie stellt Adam Hall sicher, dass das von Ihnen bei Adam Hall oder einem Adam Hall Partner erworbene Produkt bei normalem Gebrauch während des Zeitraums von 2 bzw. 3 Jahren ab Kaufdatum frei von Material- oder Verarbeitungsfehlern ist.

Der Garantiezeitraum beginnt mit dem Datum des Kaufs.

Der Geltendmachung eines Anspruchs auf Garantieleistungen erforderliche Nachweis des Kaufdatums, erfolgt durch die mit dem Kaufdatum versehene Quittung oder den mit dem Kaufdatum versehenen Lieferschein. Sie haben Anspruch auf den Garantieservice zu den in diesem Dokument aufgeführten Bedingungen und Bestimmungen, falls eine Reparatur der unter den oben genannten Marken vertriebenen Produkte innerhalb des Garantiezeitraums erforderlich ist.

Diese Garantie gilt nur für den ursprünglichen Käufer des von Adam Hall vertriebenen Produkts und ist nicht an Personen übertragbar, denen vom ursprünglichen Käufer das Eigentum am Adam Hall Produkt übertragen wird. Innerhalb des Garantiezeitraums werden die fehlerhaften Komponenten oder das Produkt von Adam Hall repariert oder ersetzt. Alle im Rahmen dieser Garantie entfernten Komponenten und Hardware-Produkte gehen in das Eigentum von Adam Hall über.

In dem unwahrscheinlichen Fall, dass bei dem von Ihnen erworbenen Adam Hall Produkt ein Fehler wiederholt auftritt, kann Adam Hall nach eigenem Ermessen entscheiden, Ihnen dieses Produkt durch ein vergleichbares Produkt mit mindestens derselben Leistung zu ersetzen.

Adam Hall übernimmt keine Garantie für einen störungs- oder fehlerfreien Betrieb dieses Produkts. Adam Hall übernimmt keine Verantwortung für auf eine inkorrekte Befolgung der im Lieferumfang des Adam Hall enthaltenen Anweisungen zurückzuführenden Schäden.

Diese Garantie erstreckt sich nicht auf

- Verschleißteile (z.B. Akkumulator).
- Geräte deren Seriennummer entfernt wurde oder die beschädigt oder fehlerhaft wurden als Folge eines Unfalls.
- nicht sachgerechter oder missbräuchlicher Verwendung oder anderer missbräuchlicher Verwendung oder anderer äußerer Ursachen.
- Geräte die nicht entsprechend den Betriebsparametern betrieben wurden, die in den im Lieferumfang des Produkts enthaltenen Benutzerunterlagen festgelegt sind.
- Geräte die aufgrund der Verwendung nicht von Adam Hall hergestellter oder vertriebener Teile repariert wurden.
- Geräte die durch Änderung oder Wartung durch jemand anderen als Adam Hall getätigt wurde.

## HERSTELLERERKLÄRUNGEN:

### HAFTUNGSBESCHRÄNKUNG

Wenn das unter der Marke Adam Hall vertriebene Produkt nicht entsprechend der obigen Garantie funktioniert, besteht Ihr alleiniger und ausschließlicher Anspruch aus dieser Garantie in der Reparatur oder dem Ersatz. Weitergehende Gewährleistungsansprüche bleiben hiervon unberührt. Die maximale Haftung von Adam Hall im Rahmen dieser Garantie ist ausdrücklich beschränkt auf den jeweils niedrigeren Betrag, der sich entweder aus dem Kaufpreis für das Produkt oder aus den Reparatur- bzw. Ersatzkosten von Hardware-Komponenten, die bei normalem Gebrauch nicht Ordnungsgemäß funktionieren, ergibt.

Adam Hall haftet aus dieser Garantie nicht für durch das Produkt oder sein versagen verursachte Schäden, einschließlich entgangener Gewinne, unterbliebener Einsparungen oder besonderer, indirekter oder Folgeschäden. Adam Hall haftet zudem nicht für von Dritten oder von ihnen für Dritte geltend gemachte Ansprüche.

Diese Haftungsbeschränkung gilt unabhängig davon, ob Schäden gerichtlich verfolgt werden, ob Schadenersatzansprüche im Rahmen dieser Garantie oder aufgrund unerlaubter Handlungen (Einschließlich Fahrlässigkeit und Gefährdungshaftung) oder aufgrund vertraglicher bzw. sonstiger Ansprüche gestellt werden. Diese Haftungsbeschränkung kann von keiner Person aufgehoben oder ergänzt werden. Diese Haftungsbeschränkung gilt auch dann, wenn sie Adam Hall über die Möglichkeit derartiger Schäden informiert haben. Sie gilt jedoch nicht für Ansprüche aus Personenschäden.

Aus dieser Garantie ergeben sich für Sie bestimmte Rechte. Möglicherweise haben Sie weitere Rechte, die Ihnen von Staat zu Staat und von Land zu Land unterschiedlich sein können. Es ist ratsam, die entsprechenden Gesetze des Staates bzw. Landes heranzuziehen, um Ihre Rechte umfassend zu ermitteln.

### INANSPRUCHNAHME DES REPARATURSERVICE

Um den Garantieservice bzw. Reparaturservice für das Produkt in Anspruch zu nehmen, wenden Sie sich bitte an Adam Hall oder an einen Adam Hall Partner, bei dem Sie das Produkt erworben haben.

### EG-KONFORMITÄTserklärung

Diese Geräte entsprechen den grundlegenden Anforderungen und den weiteren Vorgaben der Richtlinien 2004/108/EC (EMC) und 2006/95/EC (LVD). Weitere Informationen finden Sie unter [www.adamhall.com](http://www.adamhall.com).



## HERSTELLERERKLÄRUNGEN:

ENGLISH

DEUTSCH

FRANCAIS

ESPAÑOL

POLSKI

ITALIANO

### KORREKTE ENTSORGUNG DIESES PRODUKTES

(Gültig in der Europäischen Union)



Dieses Symbol (entweder auf dem Gerät oder dem dazugehörigen Handbuch) weist darauf hin, dass das Gerät nicht mit dem normalen Hausmüll entsorgt werden darf. Um mögliche Schäden an der Umwelt und an Personen zu verhindern, entsorgen Sie dieses Gerät bitte fachgerecht bei einer entsprechenden Stelle für Elektromüll.

Als Privatkunde Informieren Sie sich bitte beim Hersteller oder bei Ihrer Gemeinde über die Möglichkeiten der korrekten Entsorgung.

Als Geschäftskunde kontaktieren Sie bitte Ihren Lieferanten und prüfen Sie die Konditionen zur Entsorgung der Geräte. Dieses Produkt sollte nicht mit anderem gewerblichen Abfall entsorgt werden.

### WEEE-DEKLARATION



Ihr LD Systems Produkt wurde unter der Verwendung hochwertiger Materialien und Komponenten die wiederverwertet oder wieder verwendet werden können hergestellt. Dieses Symbol weist darauf hin, dass elektronische Geräte nicht im normalen Hausmüll entsorgt werden dürfen. Entsorgen Sie dieses Gerät bitte fachgerecht bei einer entsprechenden Stelle für Elektromüll und helfen Sie dabei unsere Umwelt zu schützen.

### BATTERIEN UND AKKUS



Die mitgelieferten Batterien können wiederverwertet werden. Werfen Sie die Batterien daher nicht in den normalen Hausmüll sondern in gesonderte dafür vorgesehene Container. Helfen Sie, unsere Umwelt sauber zu halten.

### UMWELTSCHUTZ UND ENERGIESPAREN

Energiesparen ist ein aktiver Beitrag zum Umweltschutz. Schalten Sie bitte alle nicht benötigten elektrischen Geräte aus. Um zu verhindern, dass nicht benötigte Geräte im Standby-Modus Strom verbrauchen, ziehen Sie den Netzstecker.

Adam Hall GmbH, alle Rechte vorbehalten. Änderungen der Technischen Daten und Produktmerkmale vorbehalten. Das Erstellen von Fotokopien, Übersetzungen und anderen Reproduktionen dieser Bedienungsanleitung oder Teilen derselben ohne vorherige Genehmigung ist untersagt.



ENGLISH

DEUTSCH

FRANCAIS

ESPAÑOL

POLSKI

ITALIANO

## Merci d'avoir choisi LD Systems!

Nous avons conçu ce produit afin de vous offrir un matériel fiable, qui vous accompagnera durant de longues années. En achetant l'un des produits de la marque LD Systems vous bénéficiez de notre compétence reconnue et de nos nombreuses années d'expérience en tant que fabricant. Notre nom est notre garantie.

Veuillez s'il-vous-plait prendre quelques minutes pour lire attentivement ces instructions d'utilisation car nous souhaitons que vous puissiez profiter pleinement et au plus vite de votre matériel LD Systems.

Pour plus d'informations sur LD Systems venez visiter notre site [WWW.LD-SYSTEMS.COM](http://WWW.LD-SYSTEMS.COM)

## Introduction

Les performances exceptionnelles des enceintes LD Systems de la série DDQ résultent d'une conception précise et d'une fabrication de qualité parfaite, ne méritant que les meilleures notes.

Les enceintes DDQ sont équipées de boomers/médiums de marque Faital Pro et de tweeters BMS. Elles intègrent deux modules amplificateurs Hypex UCD400, d'une puissance de 400 Watts.

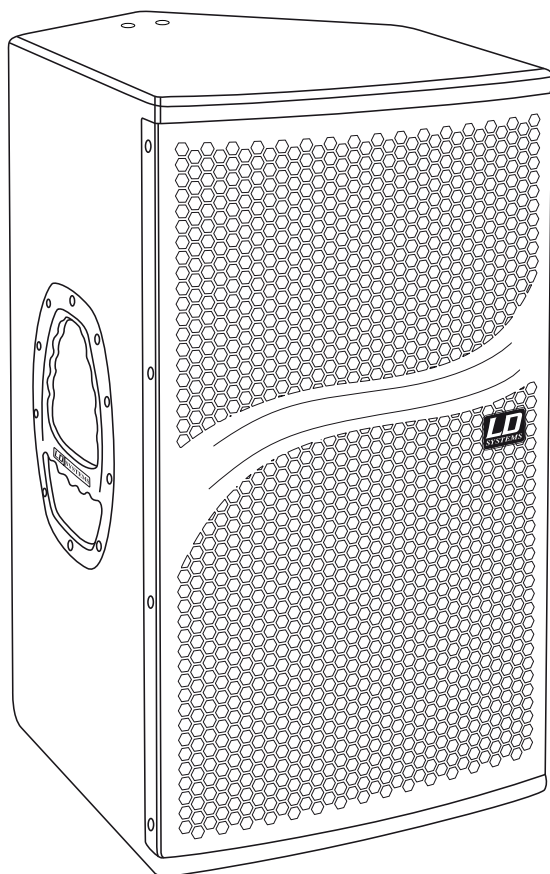
Le signal audio est traité par un processeur numérique SHARC programmé spécifiquement pour les enceintes actives DDQ, et les convertisseurs A/N-N/A choisis assurent une excellente gamme dynamique de 127 dB. Ce DSP assure les fonctions de protection complètes, notamment un limiteur de crêtes prédictif (Lookahead). Cette fenêtre temporelle d'une durée de 1 milliseconde assure une restitution sans aucune distorsion, même aux niveaux sonores les plus élevés.

Le coffret bass reflex des enceintes actives DDQ est construit en multiplis. Grâce aux poignées innovantes LD Evolutive et à un poids relativement réduit, les enceintes DDQ 10" et 12" sont faciles à transporter. Elles répondent à tous les besoins de sonorisation : applications mobiles, installations fixes, configurations compactes, systèmes de façade ou ligne de délais, et même, grâce à leur pan orienté à 50°, retour de scène. Toutes les enceintes DDQ sont fabriquées en Allemagne.

# LD **DDQ** SERIE

**ENCEINTE ACTIVE 2 VOIES** PILOTÉE PAR DSP

LDDDQ10 / LDDDQ12



ENGLISH

DEUTSCH

FRANCAIS

ESPAÑOL

POLSKI

ITALIANO

## MESURES PRÉVENTIVES :

1. Veuillez lire attentivement ces instructions.
2. Gardez ces instructions et informations en lieu sûr.
3. Veuillez suivre ces instructions.
4. Veuillez respecter tous les avertissements. N'enlevez pas les instructions de sécurité ou toute autre information collée sur l'appareil.
5. N'utilisez l'appareil que conformément à l'usage auquel il est destiné.
6. Use only stable and appropriate stands and/or mounts when the device is permanently installed. Vérifiez bien que les supports muraux sont solidement fixés. Vérifiez que l'appareil est installé de façon stable, et ne peut tomber.
7. When installing please observe the corresponding safety standards for your country.
8. Do not install the device near radiators, heat accumulators, ovens or other sources of heat. Veillez à assurer un refroidissement suffisant de l'appareil, afin d'éviter
9. 9. Ne posez aucune source de flamme nue sur l'appareil (bougie allumée, par exemple).
10. 10. N'obstruez pas les ouïes de ventilation.
11. Do not operate the device in the immediate vicinity of water. Do not expose this equipment to combustible materials, liquids or gases.
12. Vérifiez qu'aucune éclaboussure ou infiltration d'eau n'est possible dans l'appareil. Do not put objects filled with fluids, such as vases or drinking vessels, on top of the device.
13. Vérifiez qu'aucun objet ne peut tomber dans l'appareil.
14. N'utilisez l'appareil qu'avec des accessoires dont l'emploi a été prévu par le fabricant.
15. ATTENTION : If this device has a mains connector equipped with protective earth, it must be connected to a mains socket with a protective ground connection. Ne désactivez jamais la fonction de protection par mise à la terre du cordon secteur livré.
16. Do not turn on the device immediately if it was exposed to strong temperature fluctuations (for example after transportation). Moisture and condensation may damage the device. Leave the device switched off until it has reached room temperature.
17. Do not open the device and do not make any changes to the device.
18. Before connecting to mains power, make certain that the mains voltage and the mains frequency are the same as the operating values of the device (see type label). If the device is equipped with a supply voltage selector switch, make certain that the values of the device match the values of the mains power before connecting. If the plug on the included cord does not fit your mains outlet, contact your electrician.
19. Veillez à éviter tout piétinement du cordon secteur. Protégez le cordon secteur de toute flexion excessive, que ce soit côté prise murale ou côté appareil.
20. Pour éviter tout dommage ou incident, par exemple si quelqu'un a trébuché sur le câble, vérifiez tous les branchements une fois que vous avez branché l'appareil.
21. Lorsque vous branchez l'appareil, vérifiez que la prise murale reste facilement accessible. Always pull out the power plug when the device is not in use or when you clean the device. Disconnect the power cord by pulling the plug not the cable. Ne touchez pas le câble secteur ni l'adaptateur à mains nues.
22. Avoid switching the device on and off at short intervals, because it may shorten the durability of the device.
23. IMPORTANT: Replace fuse only by fuse of same type and rating! If fuse blows repeatedly please contact authorized service center!
24. Si vous désirez désolidariser complètement l'appareil de la tension secteur, il faut débrancher la prise murale.

## MESURES PRÉVENTIVES :

ENGLISH

DEUTSCH

FRANCAIS

ESPAÑOL

POLSKI

ITALIANO

25. If your device is equipped with a Volex power connector, the matching Volex device plug must be unlocked in order to disconnect it. Du même coup, toute sollicitation sur le cordon secteur est susceptible de déplacer l'appareil, ce qui peut provoquer des blessures et/ou des dégâts matériels. Il vaut donc mieux, par conséquent, soigner les passages de câbles.

26. If there is a risk of lightning strike or during extended periods of disuse, unplug the power plug.

27. During transport, make certain that the equipment being transported cannot fall down and possibly cause personal injuries and/or property damage.

28. Si votre appareil ne fonctionne plus correctement, s'il a été exposé à du liquide ou si un objet est tombé à l'intérieur, ou en cas de dommage, quel qu'il soit, éteignez-le immédiatement et débranchez sa prise murale. Cet appareil ne doit être réparé que par des experts autorisés.

29. Pour nettoyer l'appareil, utilisez exclusivement un chiffon sec

30. Respectez toutes les lois en vigueur dans votre pays pour jeter l'emballage. Veuillez séparer le plastique et le papier/carton.

31. Mettez les films plastique hors de portée des enfants.



### ATTENTION :

Pour éviter tout risque d'électrocution, ne démontez pas le capot (ou le panneau arrière). L'appareil ne contient aucune pièce réparable par l'utilisateur. Veuillez confier la maintenance de l'appareil à un personnel qualifié.



Le pictogramme d'éclair, ou flèche dans un triangle équilatéral, est prévu pour alerter l'utilisateur de la présence d'une "tension dangereuse" non protégée à l'intérieur du coffret de l'appareil, d'une valeur suffisamment élevée pour constituer un risque pour l'organisme humain.



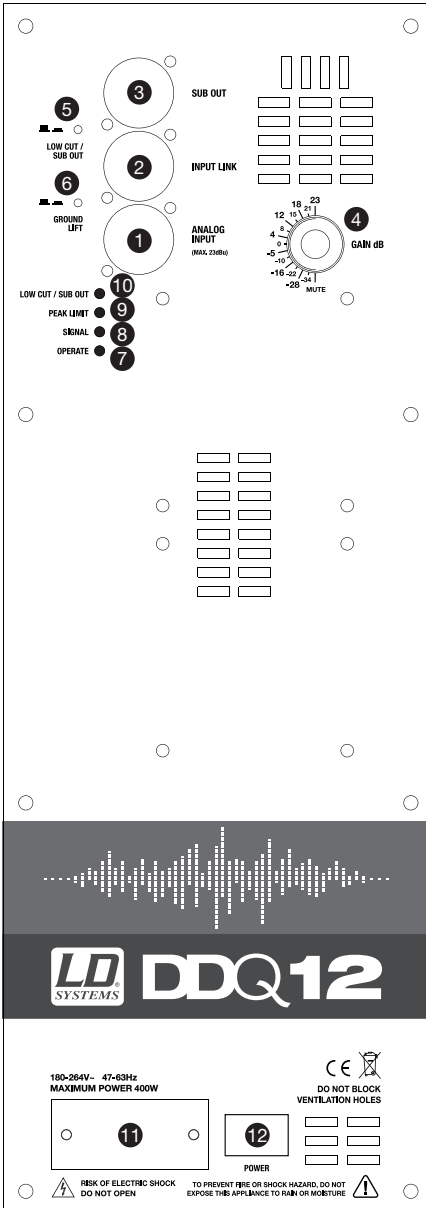
Le point d'exclamation à l'intérieur d'un triangle équilatéral sert à attirer l'attention de l'utilisateur sur la présence d'instructions importantes, relatives à l'utilisation ou à la maintenance, dans la brochure livrée avec l'appareil.

### ATTENTION ! NIVEAUX SONORES ÉLEVÉS !

Cet appareil sera utilisé dans le cadre d'applications professionnelles. Par conséquent, son utilisation commerciale est soumise aux lois et aux réglementations en vigueur dans votre secteur d'activités. En tant que fabricant, Adam Hall est tenu de vous informer formellement de l'existence de certains risques sanitaires.

Dommages auditifs, exposition prolongée à des niveaux sonores excessifs : Le produit est capable de générer des niveaux de pression sonore (SPL) suffisants pour causer des dommages auditifs irréversibles aux artistes, aux équipes de production et au public. Attention à éviter toute exposition prolongée à des niveaux de pression sonore supérieurs à 90 dB SPL.

# PANNEAU ARRIÈRE / ÉLÉMENTS DE CONTRÔLE (MODÈLE LDDQ12) :



## 1 ENTRÉE ANALOGIQUE

Entrée au niveau ligne symétrique sur connecteur XLR (niveau maximal : +23 dB)

## 2 SORTIE LINK

Renvoi du signal audio symétrique au niveau ligne, sur connecteur XLR

## 3 SORTIE SUB

Sortie symétrique au niveau ligne, sur connecteur XLR, pour caisson de graves actif

## 4 GAIN DB

Potentiomètre de réglage de sensibilité d'entrée, contrôlant le volume des modules amplificateurs. Le dépassement du niveau maximal d'entrée (+23 dBu) est signalé par le clignotement simultané des LED 7 à 10. Dans ce cas, il faut réduire le niveau de la source de signal, afin d'éviter toute déformation du son.

## 5 SORTIE LOW CUT / SUB

Activer le sélecteur active à la fois le filtre passe-haut pour les DDQ10/12 (fréquence de coupure 100 Hz, pente 18 dB/octave, type Butterworth) et le filtre passe-bas pour la sortie SUB OUT (fréquence de coupure 100 Hz, pente 18 dB/octave, type Butterworth). Si ce sélecteur n'est pas activé, le signal de sortie du caisson de basses ne subit aucun filtrage.

## 6 SÉLECTEUR GROUND LIFT

Permet de réduire les ronflettes en cas de connexion d'appareils possédant des potentiels de masse différents.

## 7 LED OPERATE

S'allume dès que l'enceinte amplifiée est reliée au secteur et mise sous tension.

## 8 LED SIGNAL

S'allume dès détection de la présence d'un signal audio sur l'entrée ligne (niveau > -30 dBu).

**LD SYSTEMS DDQ12**

180-264V~ 47-63Hz  
MAXIMUM POWER 400W

DO NOT BLOCK  
VENTILATION HOLES



⚠ RISK OF ELECTRIC SHOCK  
DO NOT OPEN

⚠ TO PREVENT FIRE OR SHOCK HAZARD, DO NOT  
EXPOSE THIS APPLIANCE TO RAIN OR MOISTURE



## PANNEAU ARRIÈRE / ÉLÉMENTS DE CONTRÔLE (MODÈLE LDDDQ12) :

### 9 LED PEAK LIMIT

S'allume dès que l'enceinte acoustique arrive à ses limites de fonctionnement. Pas de problème si cette LED ne clignote qu'occasionnellement : dans ce cas le limiteur audio interne compense les dépassements de niveau. En revanche, si elle reste allumée pendant de longues périodes, il convient de réduire le niveau du signal d'entrée.

### 10 LED LOW CUT / SUB OUT

Cette LED s'allume pour indiquer l'activation du sélecteur correspondant.

### 11 EMBASE SECTEUR

(tension comprise entre 180 et 264 Volts, fréquence comprise entre 47 et 63 Hz)  
Accueille l'extrémité du cordon secteur IEC fourni.

### 12 INTERRUPTEUR

Permet d'allumer/éteindre l'appareil.

ENGLISH

DEUTSCH

FRANCAIS

ESPAÑOL

POLSKI

ITALIANO

# RÉPONSE EN FRÉQUENCE:

ENGLISH

DEUTSCH

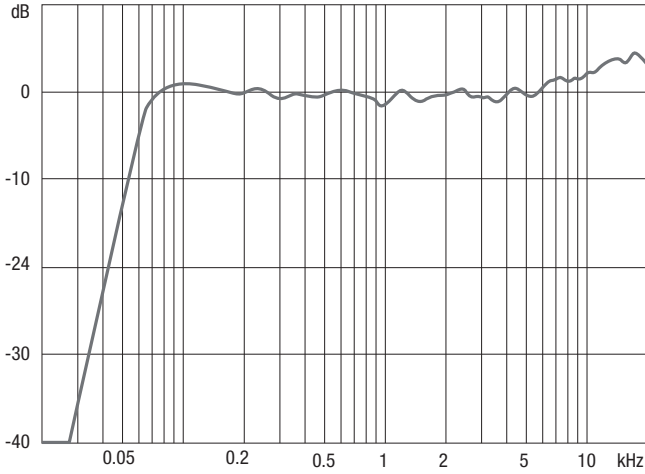
FRANCAIS

ESPAÑOL

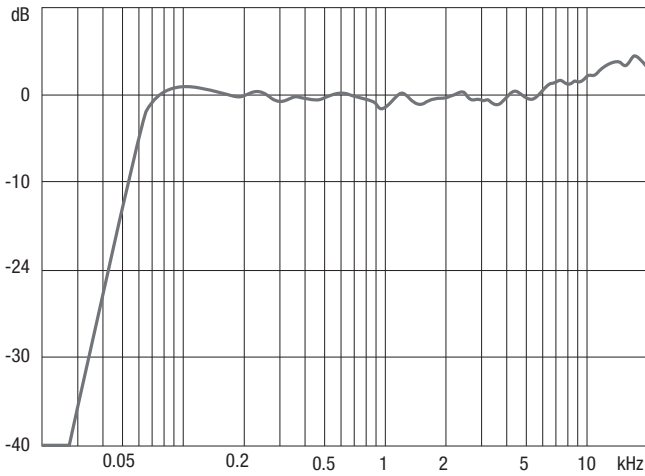
POLSKI

ITALIANO

**LDDDQ10**



**LDDDQ12**





# DIRETTIVITÀ :

ENGLISH

DEUTSCH

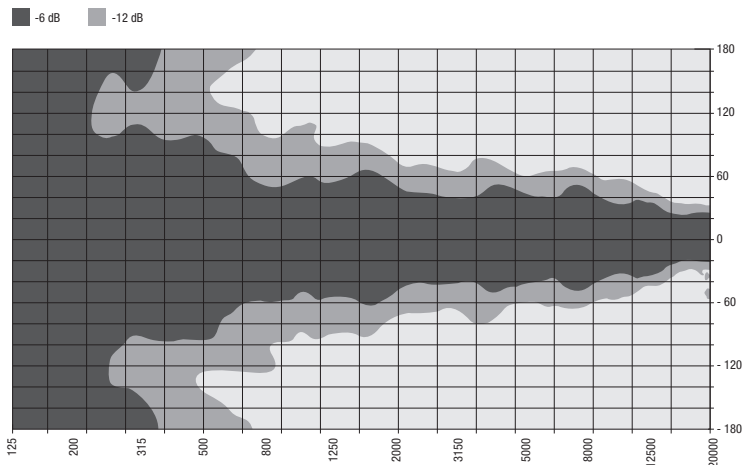
FRANCAIS

ESPAÑOL

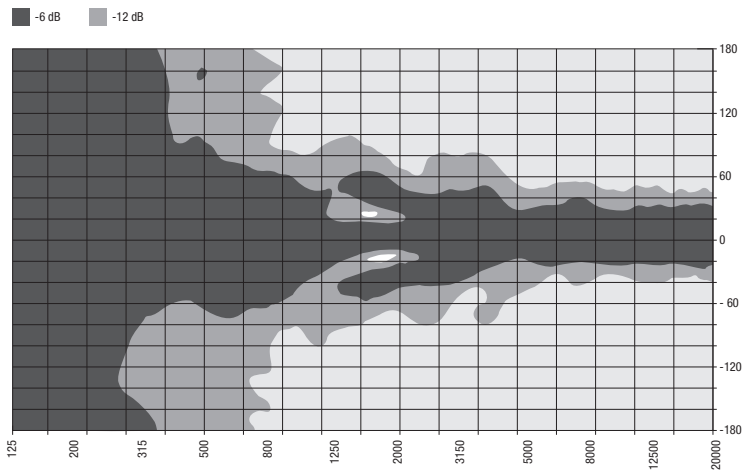
POLSKI

ITALIANO

Horizontal Isobars of: LD DDQ10



Vertical Isobars of: LD DDQ10



# DIRETTIVITÀ :

ENGLISH

DEUTSCH

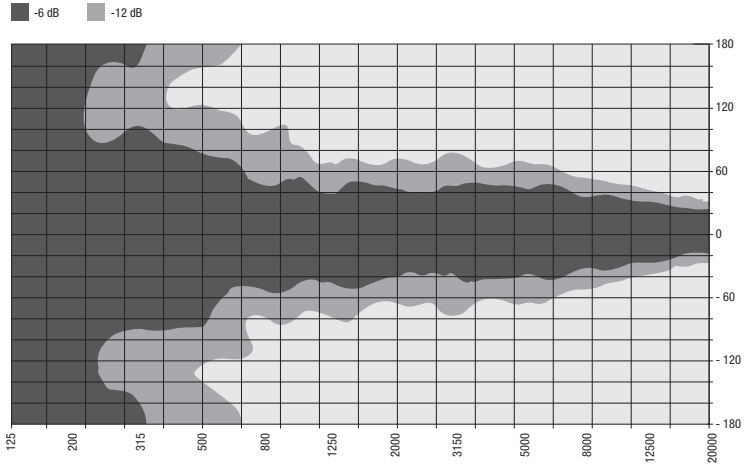
FRANCAIS

ESPAÑOL

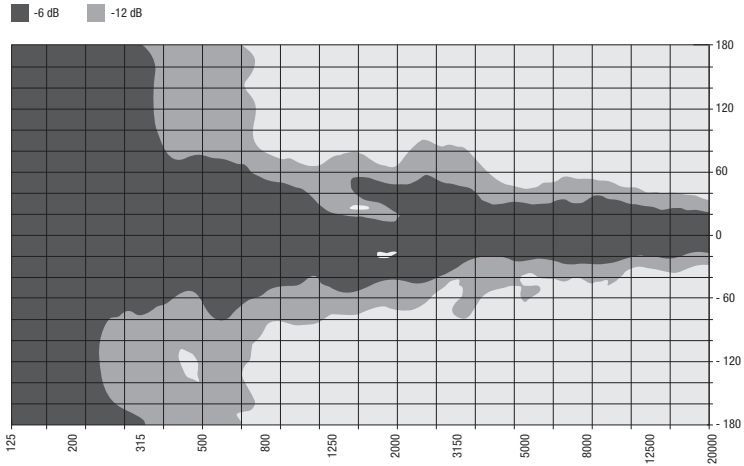
POLSKI

ITALIANO

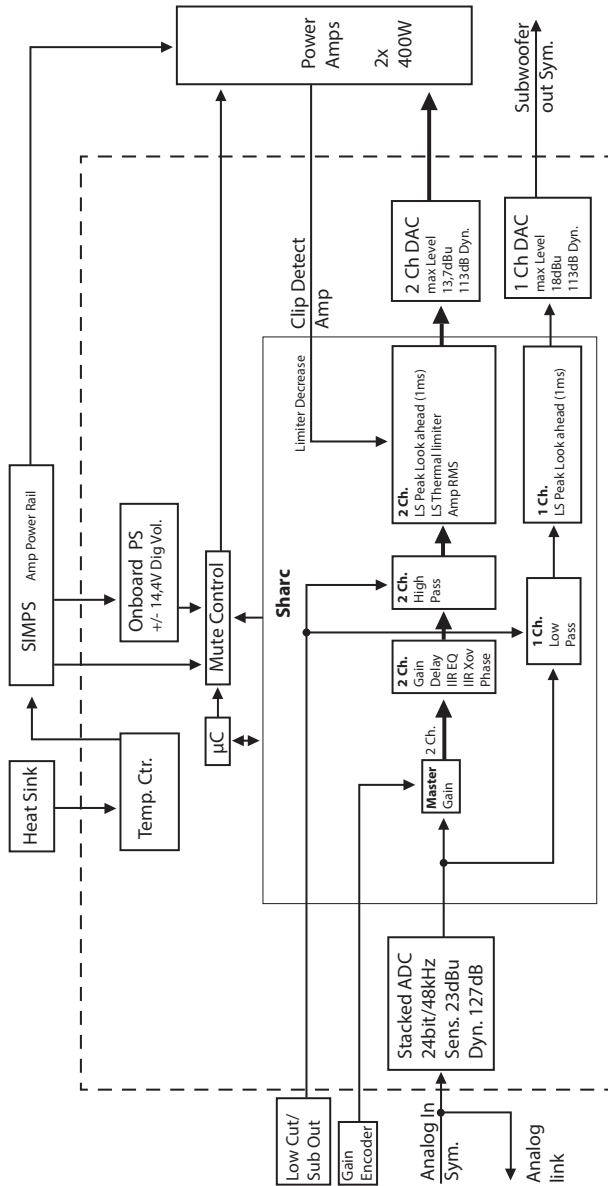
Horizontal Isobars of: LD DDQ12



Vertical Isobars of: LD DDQ12



# SYNOPTIQUE DSP :



ENGLISH

DEUTSCH

FRANCAIS

ESPAÑOL

POLSKI

ITALIANO

## CONFIGURATION PAVILLON :

ENGLISH

DEUTSCH

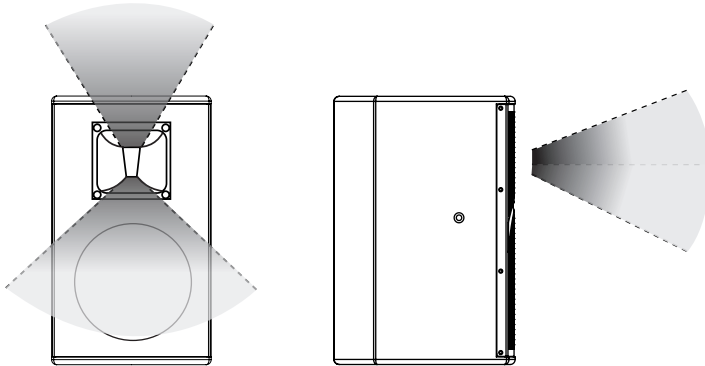
FRANCAIS

ESPAÑOL

POLSKI

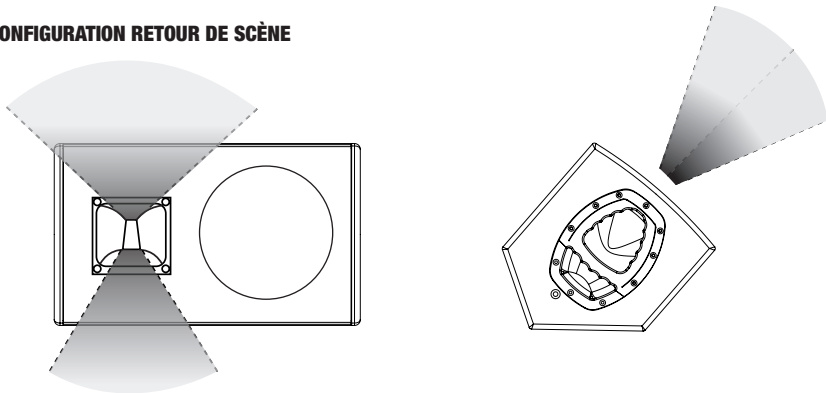
ITALIANO

### CONFIGURATION FAÇADE



Pour une utilisation en sonorisation de façade, le côté le plus étroit de l'ouverture du pavillon d'aigus doit être dirigée vers le bas.

### CONFIGURATION RETOUR DE SCÈNE



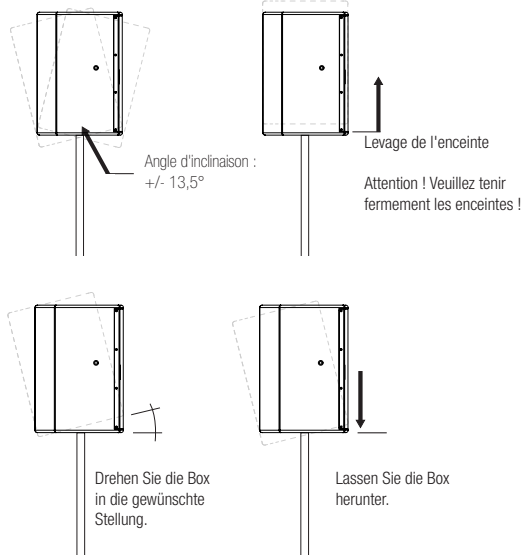
Pour utilisation en tant que retour de scène, vous pouvez poser les LDDDQ10 et LDDDQ12 sur le côté. (disposition horizontale) À cet effet, le pavillon d'aigus peut pivoter à 90°, ce qui permet d'obtenir une dispersion plus large dans les aigus. Avant de procéder, il faut éteindre l'enceinte active et la débrancher du secteur. Enlevez ensuite la grille frontale, puis desserrez les vis de fixation du pavillon et mettez-les de côté. Vous pouvez alors faire pivoter le pavillon de 90° ; refixez-le ensuite (ne jamais le faire pivoter de plus de 90°). Si vous désirez ensuite replacer le pavillon d'aigus pour une utilisation verticale, il faut le faire pivoter dans l'autre sens. Si vous faites pivotez plusieurs fois de suite le pavillon dans le même sens, vous risquez d'endommager les câbles ou les connecteurs du tweeter.

## INSTALLATION & MONTAGE :

### MISE EN PLACE DE LA DOUILLE D'ENCEINTE ENCASTRABLE SM707

La douille d'enceinte encastrable intégrée et brevetée SM707 permet une grande souplesse d'utilisation. Elle autorise en effet une inclinaison de +/- 13,5°, par pas de 4,5°.

Soulevez l'enceinte avec précaution (sur environ 0,5 cm), afin de déverrouiller le mécanisme de blocage ; orientez alors l'enceinte selon l'angle désiré, puis laissez-la redescendre.



### ACCROCHE:

Ces enceintes permettent une utilisation en accroche, grâce aux accessoires correspondants.

Les coffrets des enceintes LD Systems de la Série DDQ sont équipés d'inserts filetés M8, grâce auxquels on peut les suspendre à des chaînes, via des mousquetons, ou à des élingues.

N'utilisez que des accessoires de levage et d'accroche certifiés, non endommagés (boulons à œillets, écrous papillon, mousquetons, chaînes, élingues, etc.). Attention : respectez les réglementations s'appliquant à l'utilisation de matériel en suspension au-dessus de personnes (variables d'un pays à un autre).

Outre les points d'accroche, vous pouvez également monter les enceintes LD Systems de la série DDQ sur les supports orientables LDDDQ10SB et LDDDQ12SB pour suspension. Les instructions de montage se trouvent dans les deux pages suivantes de ce Manuel Utilisateur. La fixation des supports orientables sur les barres transversales s'effectue, par exemple, via les crochets collier type menottes auto-verrouillables Adam Hall SCP838.

### ENTRETIEN:

La meilleure méthode pour nettoyer la surface du coffret de l'enceinte consiste à utiliser une brosse sèche, moyennement dure (comme pour les papiers peints). Pour essuyer le panneau de contrôle, utilisez exclusivement un chiffon sec.

ENGLISH

DEUTSCH

FRANCAIS

ESPAÑOL

POLSKI

ITALIANO

# SUPPORT RÉGLABLE LDDDQ10SB:

ENGLISH

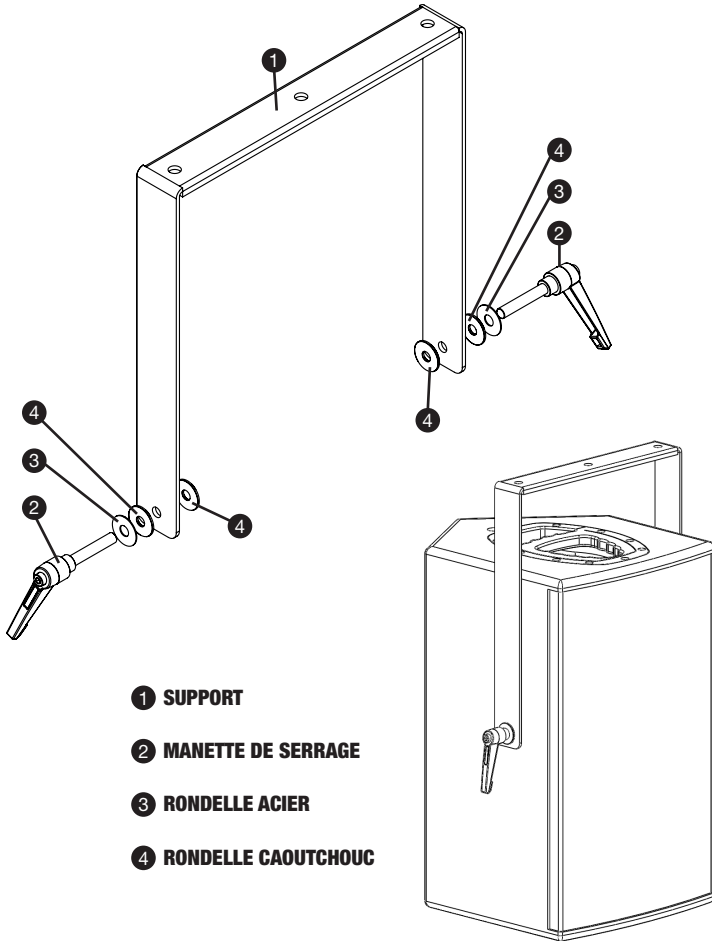
DEUTSCH

FRANCAIS

ESPAÑOL

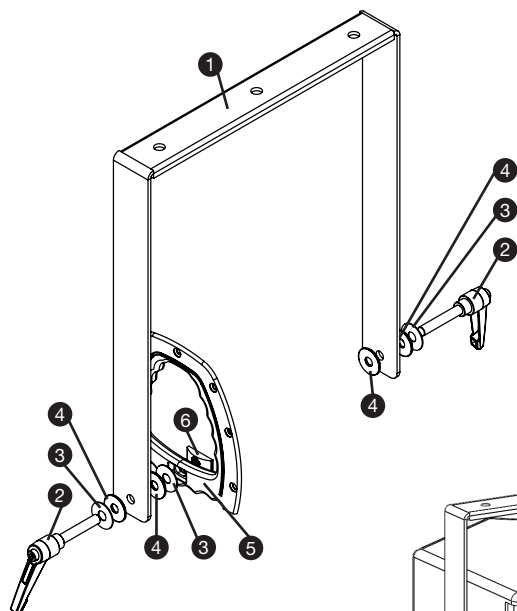
POLSKI

ITALIANO

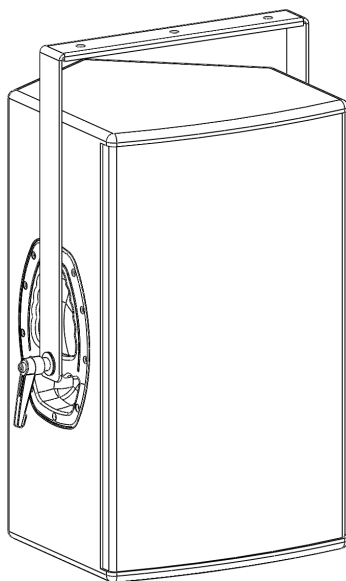


- ① SUPPORT
- ② MANETTE DE SERRAGE
- ③ RONDELLE ACIER
- ④ RONDELLE CAOUTCHOUC

## SUPPORT RÉGLABLE LDDDQ12SB:



- ❶ SUPPORT
- ❷ MANETTE DE SERRAGE
- ❸ RONDELLE ACIER
- ❹ RONDELLE CAOUTCHOUC
- ❺ POIGNÉE
- ❻ DISPOSITIF D'ARRÊT



ENGLISH

DEUTSCH

FRANÇAIS

ESPAÑOL

POLSKI

ITALIANO

## ACCESSOIRES :

### LDDDQ10B / LDDDQ12B

Housse de protection pour LDDDQ10B / LDDDQ12B



### LDDDQ10B / LDDDQ12B

Support mural pour LDDDQ10B / LDDDQ12B



### SMBS5

Plaque pour montage mural



### LDDDQ10SB / LDDDQ12SB

Accroche orientable horizontale pour LDDDQ10B / LDDDQ12B



### SPS023S / SPS023

Pieds d'enceinte





## CARACTÉRISTIQUES :

Type de produit :		Enceinte de sonorisation, pilotage par DSP	Enceinte de sonorisation, pilotage par DSP
Type :		Actif	Actif
Diamètre boomer/médium :	"	10	12
Diamètre boomer/médium :	mm	254	305
Aimant boomer/médium :		Néodyme	Néodyme
Modèle boomer/médium :		Faital Pro (10PR300, 4 Ohms)	Faital Pro (12PR300, 4 Ohms)
Diamètre bobine mobile boomer/médium :	"	2,5	2,5
Diamètre bobine mobile boomer/médium :	mm	63,5	63,5
Pavillon :		Asymétrique	Asymétrique
Diamètre tweeter :	"	1	1
Diamètre tweeter :	mm	25,4	25,4
Aimant tweeter :		Céramique	Céramique
Marque tweeter :		BMS 4524	BMS 4524
Diamètre bobine mobile tweeter :	"	1	1
Diamètre bobine mobile tweeter :	mm	25,4	25,4
Angle de dispersion (H x V) :	°	80 x 60 asymétrique	80 x 50 asymétrique
Convertisseur A/N-N/A :		24 bits / 48 kHz	24 bits / 48 kHz
DSP :		SHARC	SHARC
Module amplificateur :		2 x Hypex UCD400 (Classe D)	2 x Hypex UCD400 (Classe D)
Puissance admissible boomer (eff.) :	W	400	400
Puissance admissible tweeter (eff.) :	W	400	400
Réponse en fréquence :	Hz	59 - 20.000	54 - 20.000
Fréquence de raccordement :	Hz	1500	1500
Niveau de pression sonore maximal SPL (en continu) :	dB SPL	119,5 (de 100 Hz à 10 kHz, puissance continue)	121 (de 100 Hz à 10 kHz, puissance continue)

ENGLISH

DEUTSCH

FRANCAIS

ESPAÑOL

POLSKI

ITALIANO

## CARACTÉRISTIQUES :

ENGLISH

DEUTSCH

FRANCAIS

ESPAÑOL

POLSKI

ITALIANO

Niveau de pression sonore maximal SPL (crête) :	dB	132*	134*
Circuit de protection :		Par DSP, limiteur prédictif (look-ahead), limiteur puissance efficace, limiteur puissance alimentation secteur, surcharge, surintensité	Par DSP, limiteur prédictif (look-ahead), limiteur puissance efficace, limiteur puissance alimentation secteur, surcharge, surintensité
Impédance d'entrée :	kohms	10	10
Sensibilité d'entrée :	dBu	niveau maximal +23	niveau maximal +23
Contrôles et commandes :		Potentiomètre Gain dB, sélecteurs Low-Cut / Sub Out et Ground Lift, interrupteur secteur	Potentiomètre Gain dB, sélecteurs Low-Cut / Sub Out et Ground Lift, interrupteur secteur
Indicateurs LED :		Operate, Signal, Peak Limit, Low-Cut / Sub Out	Operate, Signal, Peak Limit, Low-Cut / Sub Out
Entrées ligne :		1	1
Connecteurs entrée ligne :		XLR	XLR
Sorties ligne :		Link, Sub Out	Link, Sub Out
Connecteurs sortie ligne :		XLR	XLR
Tension d'alimentation :		180 à 264 Volts, 47 - 63 Hz	180 à 264 Volts, 47 - 63 Hz
Matériau coffret :		Multiplis de bouleau, épaisseur 15 mm	Multiplis de bouleau, épaisseur 15 mm
Finition coffret :		Peinture PA	Peinture PA
Type de coffret :		Bass reflex	Bass reflex
Angle pour utilisation en retour de scène :	°	50	50
Largeur :	mm	315	360
Hauteur :	mm	530	600
Profondeur :	mm	370	378
Poids :	kg	15,5	17
Divers :		Poignées LD Systems Evolutive, embase pour trépied diamètre 36 mm, inclinable verticalement (avec SM707), compatible accroche orientable horizontale, filtre passe-haut commutable (de type Butterworth, fréquence de coupure 100 Hz, pente 18 dB/octave)	Poignées LD Systems Evolutive, embase pour trépied diamètre 36 mm, inclinable verticalement (avec SM707), compatible accroche orientable horizontale, filtre passe-haut commutable (de type Butterworth, fréquence de coupure 100 Hz, pente 18 dB/octave)
		* Mesure à court terme, niveau SPL maxi crête à 1 m, sur bruit rose	* Mesure à court terme, niveau SPL maxi crête à 1 m, sur bruit rose

## DECLARATIONS DU FABRICANT :

ENGLISH

DEUTSCH

FRANCAIS

ESPAÑOL

POLSKI

ITALIANO

### GARANTIE LIMITÉE:

Cette garantie limitée s'applique aux produits de la marque Adam Hall, LD Systems, Defender, Palmer, Cameo et Eminence.

Les droits inhérents à la garantie légale vis-à-vis du revendeur ne sont pas affectés par cette garantie. En fait elle justifie d'une garantie supplémentaire indépendante auprès de la société Adam Hall.

La société Adam Hall garantit que le produit que vous avez acheté Adam Hall ou à l'un de ses revendeurs officiels, est exempt de défaut matériel et d'usinage pour une durée de 2 ans (ou 3 ans pour les produits Palmer) à partir de la date d'achat, lorsqu'il est utilisé dans des conditions normales.

La période de garantie limitée débute le jour de l'achat du produit. Pour bénéficier de cette garantie vous devez produire une preuve d'achat sur laquelle figure la date d'achat du produit (ex : ticket de caisse daté, bon de livraison daté...). Si un produit d'une des marques citées ci-dessus venait à nécessiter une réparation durant la période de garantie limitée, vous aurez alors le droit de bénéficier des services de la garantie selon les termes et conditions mentionnés par ce document.

Cette garantie limitée ne s'applique qu'à l'acheteur initial de ce produit Adam Hall et ne peut être en aucun cas transférée à un tiers devenu propriétaire du produit. Durant la période de garantie limitée, Adam Hall s'engage à réparer ou remplacer les pièces défectueuses du produit. Toutes les pièces ou éléments démontés lors d'une réparation par Adam Hall deviennent la propriété d'Adam Hall.

Dans le cas improbable d'un défaut récurrent, Adam Hall peut, à sa discrétion, décider de vous fournir un produit de remplacement de son choix, dont les capacités techniques sont au moins équivalentes à celles de votre produit initial.

Adam Hall ne garantit pas que le fonctionnement de ce produit sera exempt d'erreur ou ininterrompu. Adam Hall ne peut pas être rendu responsable des dégâts résultant de votre manquement à suivre les instructions d'utilisation fournies avec votre produit.

Cette garantie limitée ne s'applique pas,

- aux pièces d'usure (ex: piles)
- aux produits dont le numéro de série a été effacé ou aux produits endommagés ou rendus défectueux par accident
- dans le cas d'une utilisation non conforme aux conditions normales d'utilisation, dans le cas d'abus ou toute autre cause externe
- dans le cas d'un usage du produit en dehors des paramètres d'utilisation stipulés dans la documentation fournie avec le produit
- dans le cas de l'usage de pièces de remplacement n'étant pas fabriquées ou vendues par Adam Hall
- dans le cas d'une modification du produit ou d'une réparation par quiconque autre qu'Adam Hall

Ces termes et conditions constituent l'accord de garantie complet et exclusif entre vous et Adam Hall concernant le produit de la marque Adam Hall que vous vous êtes procuré.

## DECLARATIONS DU FABRICANT :

### LIMITATION OF LIABILITY

Si votre produit Adam Hall devait ne pas fonctionner correctement, votre seul et unique dédommagement sera la réparation du produit ou son remplacement. La responsabilité maximale imputable à Adam Hall dans le cadre de cette garantie limitée se limite au montant le plus bas. Ce montant découle du prix d'achat du produit ou bien du coût de la réparation ou des pièces de remplacement qui sont tombés en panne dans des conditions d'utilisation normales.

Adam Hall n'est pas responsable des dommages causés par le produit ou par un dysfonctionnement du produit, y compris les pertes de profits, les pertes d'épargne, et les conséquences inhérentes à ces dommages. La responsabilité d'Adam Hall ne peut pas être engagée dans le cas d'une réclamation par un tiers ou dans le cas d'une réclamation émanant de l'acheteur initial pour le compte d'un tiers.

Cette limitation de responsabilité est valable indépendamment du fait que les dommages commis fassent l'objet de poursuites judiciaires, qu'ils fassent l'objet de réclamation (y compris pour négligence), de réclamations contractuelles ou tout autre réclamation. Cette limitation de responsabilité ne peut être amendée ou dérogée par quiconque. Elle est effective même si vous aviez avisé Adam Hall ou l'un de ses représentants officiels de la possibilité d'un tel dommage. Toutefois cette limitation de responsabilité est sans effet dans le cas de réclamations pour dommages corporels.

Cette garantie limitée vous confère des droits légaux spécifiques. Selon votre pays, ou l'État dans lequel vous vous trouvez, il est possible que vous disposiez d'autres droits. Veuillez consulter les lois applicables dans votre pays ou votre État pour déterminer l'ensemble de vos droits.

### FAIRE FONCTIONNER LA GARANTIE

Pour faire fonctionner la garantie sur ce produit, veuillez contacter Adam Hall ou le revendeur agréé auquel vous avez acheté le produit.

### DECLARATION DE CONFORMITE CE

Ces appareils répondent aux exigences essentielles et aux autres dispositions pertinentes des directives 2004/108/EC (EMC) et 2006/95/EC (LVD). Pour plus d'informations, consultez [www.adamhall.com](http://www.adamhall.com).

### ELIMINATION CORRECTE DES DÉCHETS (DÉCHETS ÉLECTROMÉNAGERS)

(Applicable dans l'Union Européenne et dans les autres pays européens disposant d'un système de tri des déchets)



Ce signe figurant sur le produit, ou dans la brochure jointe au produit, indique qu'il ne doit pas être jeté dans le même bac à ordures que les déchets ménagers classiques lorsqu'il arrive en fin de vie. Pour écarter les risques de pollution de l'environnement ou les risques d'intoxication humaine dues à un mauvais traitement des déchets, veuillez séparer ce produit des autres types de déchets. Il sera ainsi inséré dans la boucle du recyclage et ces composants pourront être traités puis éventuellement réutilisés.

Nous recommandons aux particuliers de contacter leur revendeur local ou les autorités locales pour s'informer de la meilleure façon de traiter les déchets électroménagers.

Les professionnels doivent contacter leur fournisseur et examiner avec lui les termes et conditions de leur contrat d'achat. Ce produit ne doit pas être mélangé aux déchets industriels.

## DECLARATIONS DU FABRICANT :

ENGLISH

DEUTSCH

FRANCAIS

ESPAÑOL

POLSKI

ITALIANO

### DECLARATION WEEE

Votre produit LD Systems a été développé et fabriqué avec des matériaux et des composants de haute qualité, qui peuvent être recyclés et/ou réutilisés. Ce symbole indique que les appareils électriques et électroniques, à la fin de leur durée de vie opérationnelle, doivent être gérés séparément des déchets ordinaires.

Veuillez apporter ce produit au point de collecte ou centre de recyclage local prévu pour de tels appareils. Vous contribuerez ainsi à la protection de l'environnement dans lequel nous vivons tous.

### BATTERIES ET ACCUMULATEURS

Les piles ou batteries rechargeable livrées avec l'appareil sont recyclables. Veuillez les jeter dans un bac à déchets spécial, ou déposez-les chez votre revendeur spécialisé. Pour une meilleure protection de l'environnement, ne jetez les piles que lorsqu'elles sont épuisées.

### ÉCOLOGIE ET ÉCONOMIES D'ÉNERGIE :

Économiser l'électricité contribue à la protection de l'environnement. Pensez à éteindre les appareils électriques dès que vous ne vous en servez pas. Pour éviter le gaspillage d'énergie en mode Standby (veille), débranchez le cordon secteur de la prise murale lorsqu'un appareil n'est pas utilisé.

Adam Hall GmbH, tous droits réservés. Les caractéristiques techniques et les fonctions disponibles sur le produit sont sujettes à modifications. La photocopie, la traduction et toute forme de copie, partielle ou intégrale, de ce manuel utilisateur sont interdites.



ENGLISH

DEUTSCH

FRANCAIS

ESPAÑOL

POLSKI

ITALIANO

## Gracias por elegir LD Systems!

Este producto se ha diseñado para ofrecer una fiabilidad y durabilidad óptima. Los productos de LD Systems se caracterizan por su gran calidad, avalada por el prestigio de la marca y una dilatada experiencia como fabricante.

Le rogamos que lea atentamente estas instrucciones para familiarizarse rápidamente con este producto LD Systems y aprovechar al máximo todas las funciones.

Si desea obtener información sobre LD Systems, visite nuestro sitio web [WWW.LD-SYSTEMS.COM](http://WWW.LD-SYSTEMS.COM)

## Introducción

Las excelentes prestaciones de la serie DDQ de LD Systems son el resultado de un trabajo de diseño preciso y unas características perfectas, que se han ganado los mejores elogios.

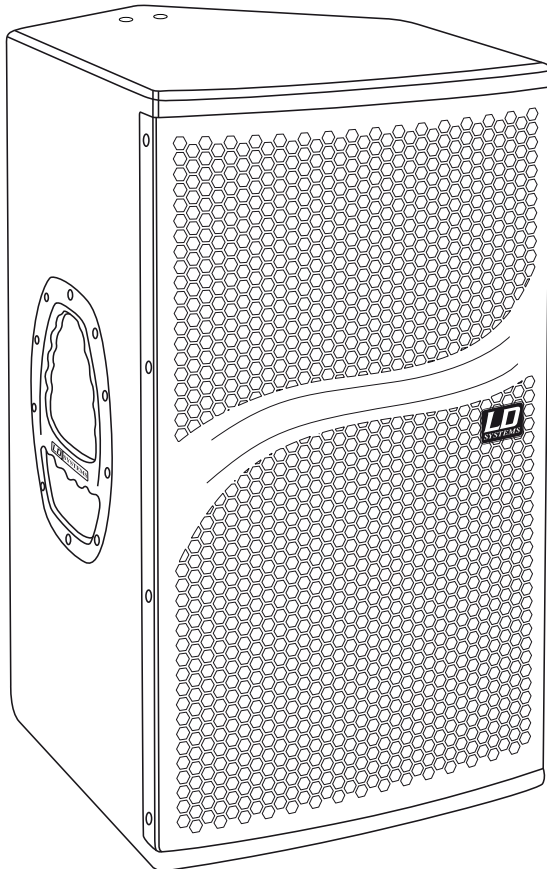
Los sistemas DDQ están provistos de un altavoz para medios/bajos de Faisal Pro y de un motor de agudos de BMS. Se controlan por separado mediante dos módulos de amplificación Hypex UCD400 de 400 W.

La señal se controla mediante un procesador Sharc DSP, programado especialmente para los sistemas activos DDQ, cuyo convertidor ofrece un amplio rango dinámico de 127 dB. Este procesador gestiona todas las funciones de protección, entre las que destaca especialmente el limitador de picos con lectura previa (look ahead). Gracias a su look ahead de 1 milisegundo, ofrece una reproducción sin distorsión, incluso a volúmenes muy altos.

El recinto bass reflex de los altavoces activos DDQ es de madera contrachapada. Gracias a sus innovadoras asas "Evolutive" y a su peso relativamente bajo, los altavoces activos DDQ de 10" y 12" son cómodos de transportar. Son perfectos para todas las aplicaciones de PA: para aplicaciones móviles, en instalaciones fijas, como equipo portátil, para sistemas FOH o aplicaciones de retardo distribuido y, además, gracias a su ángulo integrado de 50°, también se pueden emplear como monitor de escenario. Todos los sistemas DDQ se fabrican en Alemania.

# LD **SERIE DDQ**

**ALTAVOZ ACTIVO DE 2 VÍAS CON DSP**  
LDDDQ10 / LDDDQ12



ENGLISH

DEUTSCH

FRANCAIS

ESPAÑOL

POLSKI

ITALIANO

## MEDIDAS DE SEGURIDAD:

1. Lea detenidamente este manual.
  2. Guarde el manual para poder consultarlo en el futuro.
  3. Siga las instrucciones del manual.
  4. Tenga en cuenta las advertencias de seguridad. No quite las instrucciones de seguridad ni cualquier otra información indicada en el equipo.
  5. Utilice el equipo únicamente según la finalidad prevista.
  6. Emplee un soporte y/o sistema de fijación estables y adecuados cuando instale el equipo de forma permanente. Asegúrese de que los soportes para pared están firmemente fijados. Asegúrese de que el equipo está instalado de forma segura y no se puede caer.
  7. Al instalar el equipo, respete las normas de seguridad aplicables en su país.
  8. Evite colocar el equipo cerca de radiadores, acumuladores de calor o cualquier otra fuente de calor. Asegúrese de que el equipo dispone de la suficiente ventilación y de que no se sobrecalentará.
  9. No coloque velas encendidas, ni otras fuentes de llama, sobre el equipo.
  10. No tape las rejillas de ventilación.
  11. No utilice el equipo cerca del agua. No exponga este equipo a materiales, líquidos o gases inflamables.
  12. Asegúrese de que el equipo no quede expuesto a goteras o salpicaduras de agua. No coloque recipientes llenos de líquido, como floreros o copas, sobre el equipo.
  13. Asegúrese de que no se caiga ningún objeto sobre el equipo.
  14. Emplee el equipo únicamente con los accesorios recomendados por el fabricante.
  15. **ADVERTENCIA:** Si el equipo tiene un conector de tierra, deberá enchufarse a una toma eléctrica con conexión de protección a tierra. No desactivar nunca esta conexión de protección a tierra del cable eléctrico.
  16. Si el equipo ha estado expuesto a un cambio brusco de temperatura (por ejemplo, después del transporte), no lo encienda inmediatamente. La condensación o la humedad podrían dañar el equipo. Deje el equipo apagado hasta que haya alcanzado la temperatura ambiente.
  17. No abra el equipo ni intente modificarlo.
  18. Antes de conectar el equipo a la red eléctrica, asegúrese de que la tensión y frecuencia son las mismas que los valores indicados en el equipo (ver etiqueta de especificaciones). Si el equipo dispone de un selector de tensión, antes de enchufarlo a la red eléctrica, asegúrese de que el valor seleccionado coincide con la tensión de suministro.
- Si el enchufe no encaja en la toma eléctrica, consulte a un electricista.
19. Asegúrese de que el cable eléctrico no está pinzado. Evite que el cable resulte pellizcado, sobre todo en los extremos de conexión al equipo y en la toma eléctrica.
  20. Para evitar accidentes y daños personales, compruebe que en toda la longitud del cableado no hay peligro de que provoque una caída, por ejemplo.
  21. Al conectar el equipo, asegúrese de que haya una toma eléctrica accesible.
- Desenchufe el equipo de la toma eléctrica cuando no esté en uso o antes de limpiarlo. Para desenchufarlo tire del enchufe, no del cable eléctrico. No tocar el cable eléctrico ni el adaptador de corriente con las manos húmedas.
22. Evite encender y apagar el equipo en cortos intervalos de tiempo, ya que se reduce así la vida útil del equipo.
  23. **IMPORTANTE:** Al sustituir los fusibles, utilice únicamente fusibles del mismo tipo y características. Si el fusible se fundiera continuamente, póngase en contacto con un servicio técnico autorizado.
  24. Para desconectar completamente el equipo de la tensión eléctrica, desenchúfelo de la toma eléctrica.
  25. Si el equipo dispone de un enchufe eléctrico Volex, deberá desbloquearse el Volex del equipo para



## MEDIDAS DE SEGURIDAD:

ENGLISH

DEUTSCH

FRANCAIS

ESPAÑOL

POLSKI

ITALIANO

desenchufarlo. Esto implica que un tirón en el cable eléctrico puede desplazar el equipo y provocar daños personales o materiales. Por tanto, asegúrese de instalar los cables con sumo cuidado.

26. Si es probable que caiga un rayo por una tormenta eléctrica o si no va a emplear el equipo durante mucho tiempo, desenchufe el cable eléctrico.

27. Al transportar el equipo, para evitar daños personales o materiales, asegúrese de que no se pueda caer accidentalmente.

28. Si el equipo no funciona correctamente, o si se ha vertido líquido sobre él, o si un objeto ha caído en su interior o si ha sufrido algún desperfecto, apague inmediatamente el equipo y desenchufe el cable eléctrico. Únicamente un técnico especialista debe reparar el equipo.

29. Emplee un paño seco para limpiar el equipo.

30. Siga las normas sobre reciclaje existentes en su país. Separe el plástico del papel y cartón.

31. No deje las bolsas de plástico al alcance de los niños.



### ADVERTENCIA:

Para evitar el riesgo de descarga eléctrica, no retire la tapa (o el panel posterior). Este equipo no contiene piezas que puedan ser reparadas por el usuario. Para cualquier tarea de mantenimiento o reparación, acuda a un técnico cualificado.



El símbolo de rayo dentro de un triángulo equilátero advierte al usuario de la presencia de tensión peligrosa sin aislamiento dentro de la carcasa del producto que pueden ser de magnitud suficiente como para suponer un riesgo para las personas.



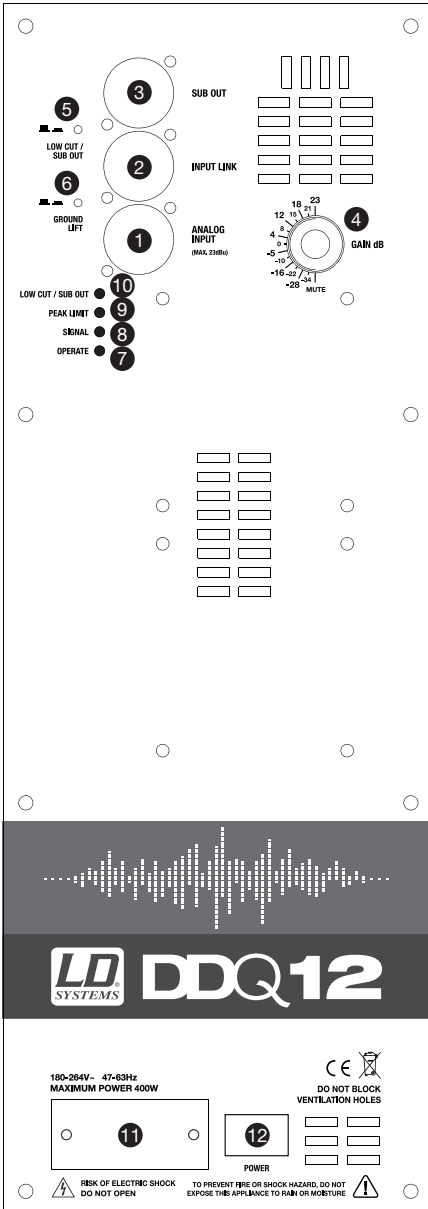
El símbolo de exclamación dentro de un triángulo equilátero advierte al usuario de la existencia de importantes instrucciones de funcionamiento y mantenimiento (reparaciones) en la documentación adjunta con el equipo.

### ADVERTENCIA: ¡ALTO VOLUMEN!

Este producto se destina a un uso profesional. Por consiguiente, si se aplica a un uso comercial, estará sujeto a las normas y reglamentos de la Asociación para la prevención de accidentes de su sector profesional. Como fabricante, Adam Hall tiene la obligación de informar formalmente a los usuarios de la existencia de posibles riesgos para la salud.

Daños auditivos por exposición prolongada a un nivel SPL alto: el producto puede generar fácilmente un nivel de presión sonora (SPL) lo suficientemente elevado como para causar daños auditivos permanentes a los artistas, el personal de producción y el público. Deben tomarse precauciones para evitar la exposición prolongada a un SPL de más de 90 dB.

# PANEL POSTERIOR Y CONTROLES (LDDQ12 EN LA FIGURA):



## 1 ANALOG INPUT

Entrada de línea balanceada por XLR (máx. 23 dBu).

## 2 INPUT LINK

Salida de línea balanceada por XLR.

## 3 SUB OUT

Salida de línea balanceada por XLR para subwoofer.

## 4 GAIN DB

Control de la sensibilidad de entrada, relativa al nivel del módulo de amplificación. Cuando se supera el nivel de entrada máximo (23 dBu), los LEDs 7 a 10 parpadearán. En este caso, reduzca el nivel de la señal conectada para evitar pérdidas en la calidad del sonido.

## 5 LOW CUT / SUB OUT

Este conmutador activa tanto el filtro paso altos del DDQ10/12 (100 Hz, 18 dB/octava, tipo Butterworth) como el filtro paso bajos (100 Hz, 18 dB/octava, tipo Butterworth) de la salida SUB OUT. Si el conmutador no está pulsado, la señal SUB OUT no se verá afectada por ningún filtro.

## 6 GROUND LIFT

Evita los bucles de masa cuando los equipos están conectados a diferentes potenciales de tierra.

## 7 LED OPERATE

Se ilumina cuando el altavoz está encendido y enchufado correctamente a la red eléctrica.

## 8 LED SIGNAL

Se ilumina cuando en la entrada de línea se tiene una señal de audio  $>-30$  dBu.

180-264V ~ 47-63Hz  
MAXIMUM POWER 400W

DO NOT BLOCK  
VENTILATION HOLES



POWER

⚠ RISK OF ELECTRIC SHOCK  
DO NOT OPEN

⚠ TO PREVENT FIRE OR SHOCK HAZARD, DO NOT  
EXPOSE THIS APPLIANCE TO RAIN OR MOISTURE



## PANEL POSTERIOR Y CONTROLES (LDDDQ12 EN LA FIGURA):

### 9 LED PEAK LIMIT

Se ilumina cuando el altavoz se lleva al límite. No es crítico si el LED parpadea brevemente, ya que el limitador interno regulará la saturación. Si el LED se ilumina de forma continua, reduzca el nivel de entrada.

### 10 LED LOW CUT / SUB OUT

Se ilumina cuando se pulsa el botón correspondiente.

### 11 TOMA ELÉCTRICA

(180 a 264 VAC, 47 a 63 Hz)

Para enchufar el cable suministrado con conector IEC.

### 12 INTERRUPTOR DE ENCENDIDO

Enciende o apaga el equipo.

ENGLISH

DEUTSCH

FRANCAIS

ESPAÑOL

POLSKI

ITALIANO

# RESPUESTA EN FRECUENCIA:

ENGLISH

DEUTSCH

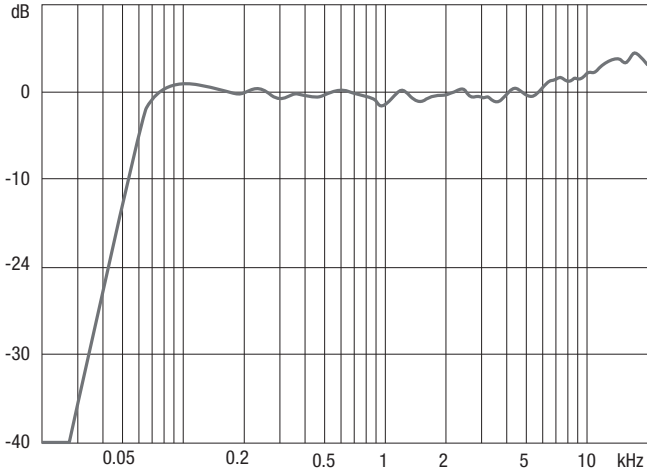
FRANCAIS

ESPAÑOL

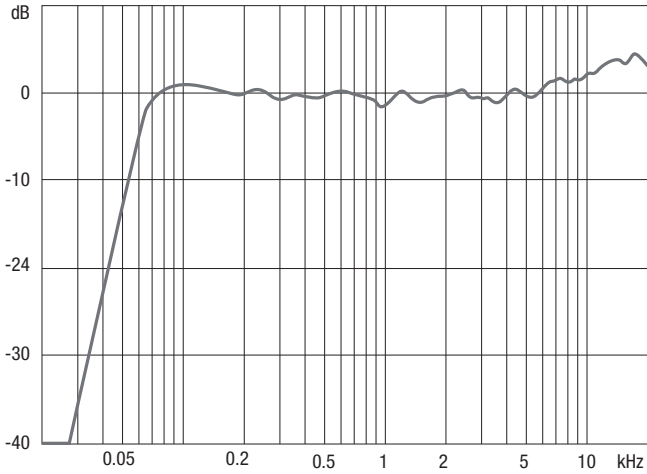
POLSKI

ITALIANO

**LDDDQ10**



**LDDDQ12**



# COBERTURA:

ENGLISH

DEUTSCH

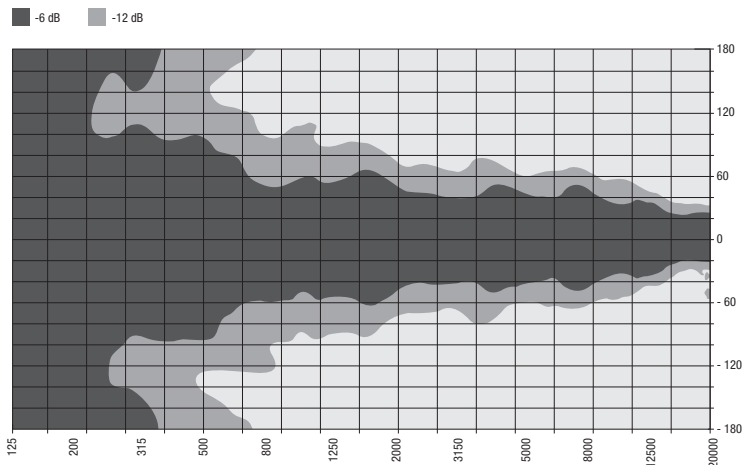
FRANCAIS

ESPAÑOL

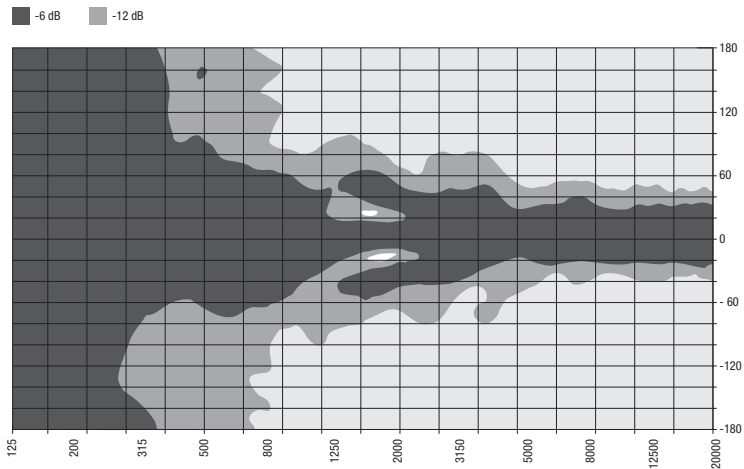
POLSKI

ITALIANO

Horizontal Isobars of: LD DDQ10



Vertical Isobars of: LD DDQ10



# COBERTURA:

ENGLISH

DEUTSCH

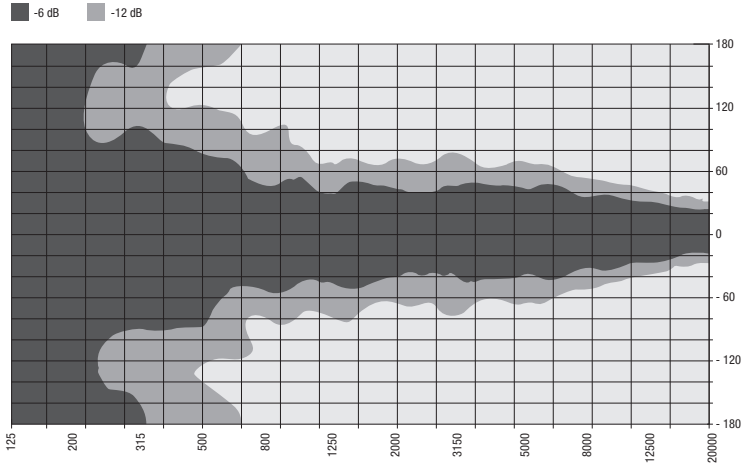
FRANCAIS

ESPAÑOL

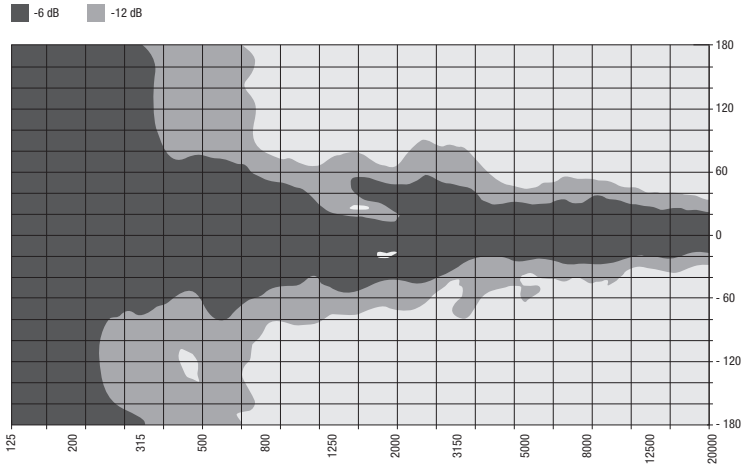
POLSKI

ITALIANO

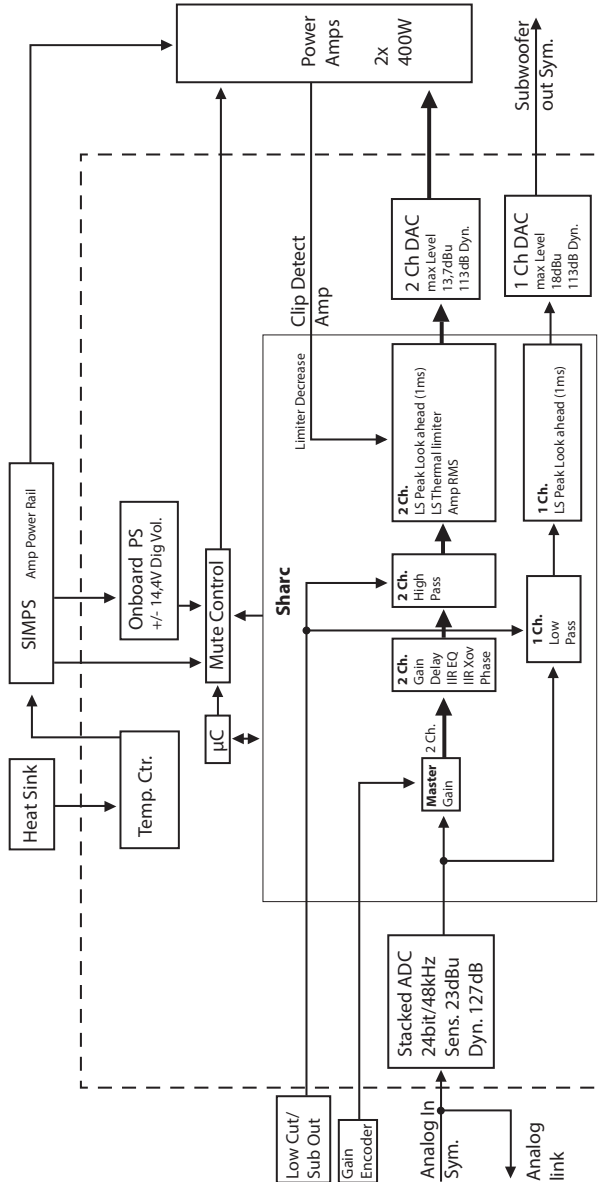
Horizontal Isobars of: LD DDQ12



Vertical Isobars of: LD DDQ12



# DIAGRAMA DE BLOQUES DEL DSP:



ENGLISH

DEUTSCH

FRANCAIS

ESPAÑOL

POLSKI

ITALIANO

## CONFIGURACIÓN DE LA BOCINA:

ENGLISH

DEUTSCH

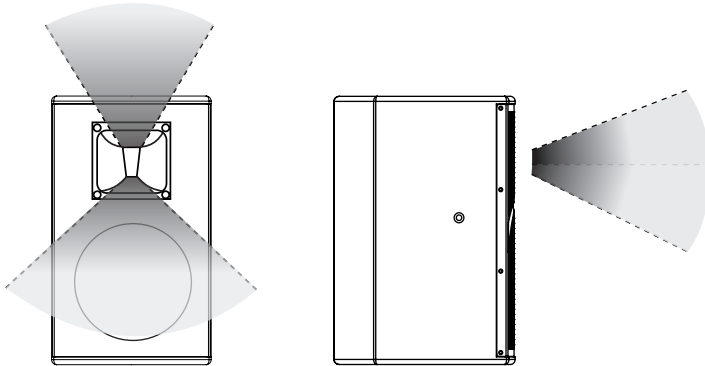
FRANÇAIS

ESPAÑOL

POLSKI

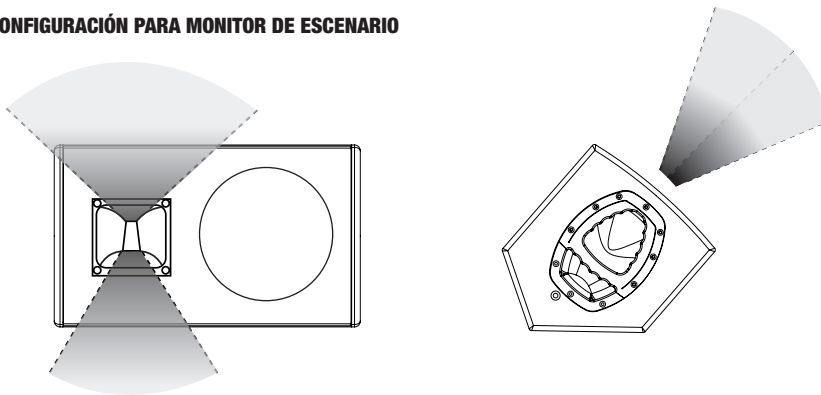
ITALIANO

### CONFIGURACIÓN PARA FRONT OF HOUSE



En la configuración para Front of House, la pequeña abertura de la bocina de agudos deberá orientarse hacia abajo.

### CONFIGURACIÓN PARA MONITOR DE ESCENARIO



En la configuración para monitor de escenario, el LDDDQ10 y el LDDDQ12 se pueden colocar tumbados (en posición horizontal). Si es necesario, la bocina de agudos puede girarse 90°, para conseguir un mayor ángulo de dispersión de los agudos. Para realizar esta operación, debe previamente apagar el altavoz activo y desenchufarlo de la toma eléctrica. A continuación, retire la rejilla frontal y retire los tornillos del marco de fijación de la bocina de agudos. Gire la bocina de agudos 90° y luego apriete de nuevo los tornillos (tenga cuidado de no girar el ángulo en más de 90°). Para volver a colocar la bocina de agudos en posición vertical, ejecute estos pasos en orden inverso. Si se gira la bocina de agudos varias veces en la misma dirección, es posible que se dañen el cable o los terminales de la bocina.



## INSTALACIÓN Y MONTAJE:

ENGLISH

DEUTSCH

FRANCAIS

ESPAÑOL

POLSKI

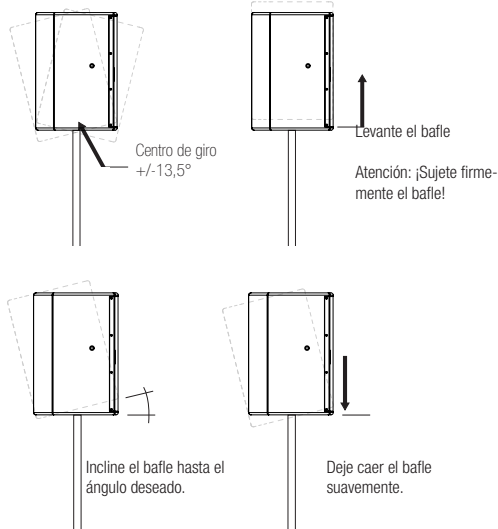
ITALIANO

### AJUSTE DEL VASO DEL SOPORTE DE BAFLE SM707

El vaso integrado y patentado para soporte de baffle, modelo SM707, ofrece varias posibilidades para ajustar el ángulo.

El SM707 permite inclinaciones de  $\pm 13,5^\circ$  en pasos de  $4,5^\circ$ .

Levante ligeramente el baffle para desbloquear el mecanismo de bloqueo (aproximadamente 0,5 cm), inclínelo hasta el ángulo deseado y deje caer de nuevo suavemente el baffle en el soporte.



### MONTAJE VOLADO:

Los altavoces están diseñados para su montaje volado con los accesorios adecuados.

Las cajas de la serie LD DDQ están provistas de roscas M8 en las que se pueden insertar las argollas M8 para poder colgarlas mediante mosquetones a cadenas o cables.

Se recomienda utilizar sólo accesorios de volado debidamente certificados y sin defectos (puntos de anclaje, argollas, mosquetones, cadenas, cables, etc.). También tenga en cuenta los requisitos de seguridad de las personas aplicables a las instalaciones voladas y establecidos en las normativas vigentes en su país.

Opcionalmente, para el montaje de estructuras voladas, se pueden utilizar los soportes en U (LDDDQ10SB y LDDDQ12SB) específicamente desarrollados para la serie LD DDQ. Consulte las instrucciones de instalación en las siguientes 2 páginas del manual. Para el montaje seguro del soporte en U a una estructura truss se puede utilizar el sargento con gancho SCP838 opcional de Adam Hall.

### MANTENIMIENTO:

La mejor forma de limpiar la superficie del baffle es con un cepillo seco de dureza media-alta (cepillo de brocha). Emplee únicamente un paño seco para limpiar el panel de control.

# SOPORTE EN "U" LDDDQ10SB:

ENGLISH

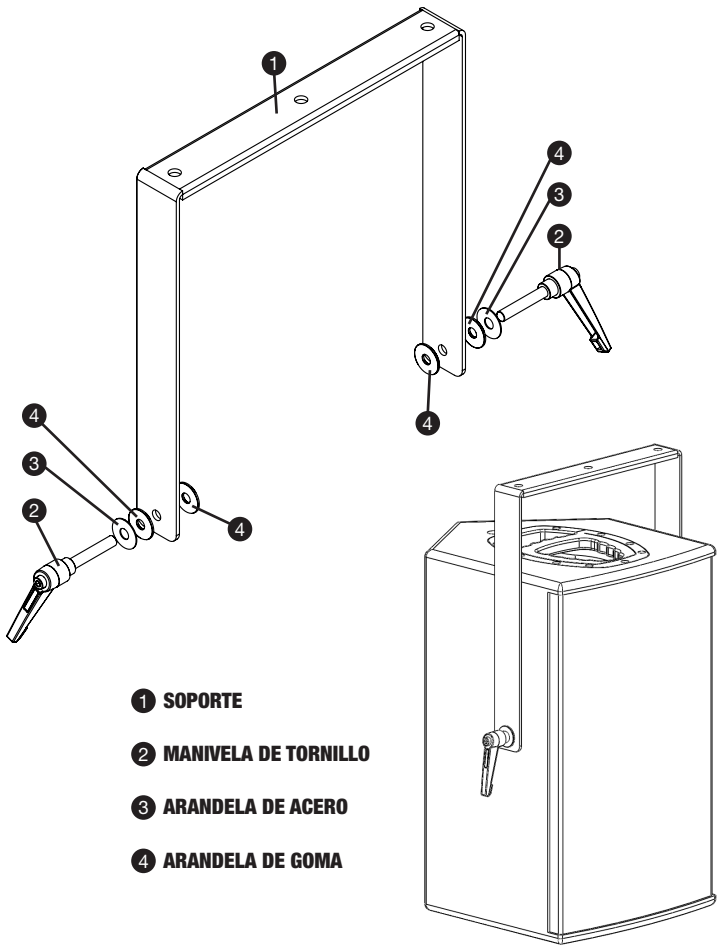
DEUTSCH

FRANCAIS

ESPAÑOL

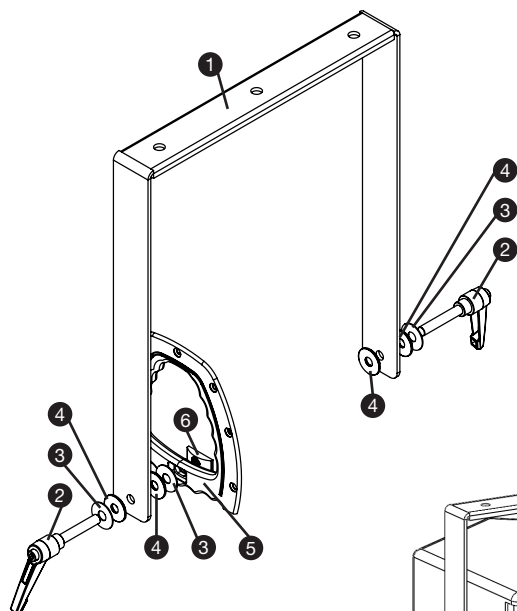
POLSKI

ITALIANO

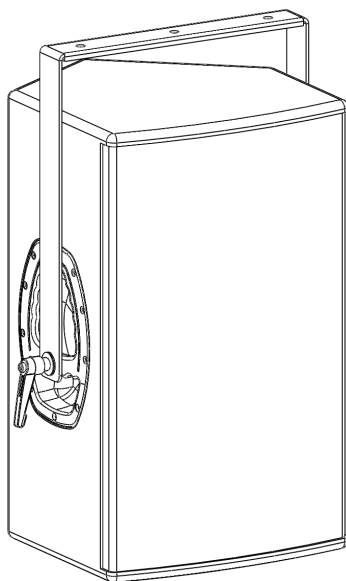


- 1 SOPORTE
- 2 MANIVELA DE TORNILLO
- 3 ARANDELA DE ACERO
- 4 ARANDELA DE GOMA

## SOPORTE EN "U" LDDDQ12SB:



- ❶ SOPORTE
- ❷ MANIVELA DE TORNILLO
- ❸ ARANDELA DE ACERO
- ❹ ARANDELA DE GOMA
- ❺ ASA
- ❻ SEMITUERCA



ENGLISH

DEUTSCH

FRANCAIS

ESPAÑOL

POLSKI

ITALIANO

## ACCESORIOS:

### LDDDQ10B / LDDDQ12B

Funda de transporte para LDDDQ10 / LDDDQ12



### LDDDQ10WB / LDDDQ12WB

Soporte de pared para LDDDQ10 / LDDDQ12



### SPS023S / SPS023

Soportes para Bafle



### SMBS5

Soporte para montaje en pared



### LDDDQ10SB / LDDDQ12SB

Soporte en U para LDDDQ10 / LDDDQ12



## ESPECIFICACIONES:

Tipo de producto:		Altavoz de PA, controlado por DSP	Altavoz de PA, controlado por DSP
Tipo:		activo	activo
Tamaño del altavoz de medios/bajos:	"	10	12
Tamaño del altavoz de medios/bajos:	mm	254	305
Imán del altavoz de medios/bajos:		neodimio	neodimio
Marca del altavoz de medios/bajos:		Faital Pro (10PR300, 4 ohmios)	Faital Pro (12PR300, 4 ohmios)
Bobina del altavoz de medios/bajos:	"	2,5	2,5
Bobina del altavoz de medios/bajos:	mm	63,5	63,5
Difusor:		asimétrico	asimétrico
Tamaño del altavoz de agudos:	"	1	1
Tamaño del altavoz de agudos:	mm	25,4	25,4
Imán del altavoz de agudos:		cerámico	cerámico
Marca del altavoz de agudos:		BMS 4524	BMS 4524
Bobina del altavoz de agudos:	"	1	1
Bobina del altavoz de agudos:	mm	25,4	25,4
Ángulo de dispersión (HxV):	°	80 x 60 asimétrico	80 x 50 asimétrico
Convertor AD/DA:		24 bits, 48 kHz	24 bits, 48 kHz
DSP:		Sharc	Sharc
Amplificador:		2 Hypex UCD400 de clase D	2 Hypex UCD400 de clase D
Potencia del altavoz de graves (RMS):	W	400	400
Potencia del altavoz de agudos (RMS):	W	400	400
Respuesta en frecuencia:	Hz	59 a 20.000	54 a 20.000
Frecuencia de corte:	Hz	1.500	1.500

ENGLISH

DEUTSCH

FRANCAIS

ESPAÑOL

POLSKI

ITALIANO

## ESPECIFICACIONES:

SPL máx. (continuo):	dB	119,5 de 100 a 10.000 Hz programa continuo	121 de 100 a 10.000 Hz programa continuo
SPL máx. (pico):	dB	132*	134*
Circuitos de protección:		limitador "look ahead", limitador RMS para el altavoz, limitador RMS para la alimentación, sobretensión, sobreintensidad (controlados por DSP)	limitador "look ahead", limitador RMS para el altavoz, limitador RMS para la alimentación, sobretensión, sobreintensidad (controlados por DSP)
Impedancia de entrada:	Kohmios	10	10
Sensibilidad de entrada:	dBu	máx. 23	máx. 23
Controles:		Gain dB, conmutador Low Cut/ Sub Out, conmutador Ground-Lift, interruptor de encendido	Gain dB, conmutador Low Cut/ Sub Out, conmutador Ground-Lift, interruptor de encendido
Indicadores:		Operate, Signal, Peak Limit, Low-Cut/ Sub Out	Operate, Signal, Peak Limit, Low-Cut/Sub Out
Entradas de línea:		1	1
Conectores de entrada de línea:		XLR	XLR
Salidas de línea:		Input Link, Sub Out	Input Link, Sub Out
Conectores de salida de línea:		XLR	XLR
Alimentación eléctrica:		180 a 264 VAC, 47 a 63 Hz	180 a 264 VAC, 47 a 63 Hz
Material de la carcasa:		contrachapado de abedul de 15 mm	contrachapado de abedul de 15 mm
Acabado de la carcasa:		lacado de protección	lacado de protección
Diseño:		bass reflex	bass reflex
Ángulo como monitor de escenario:	°	50	50
Ancho:	mm	315	360
Altura:	mm	530	600
Fondo:	mm	370	378
Peso:	kg	15,5	17
Otras características:		Asas Evolutive de LD SYSTEMS, vaso de soporte de 36 mm con ajuste vertical (SM707), preparado para soporte en U, conmutador de filtro paso alto (100 Hz, Butterworth, 18 dB)	Asas Evolutive de LD SYSTEMS, vaso de soporte de 36 mm con ajuste vertical (SM707), preparado para soporte en U, conmutador de filtro paso alto (100 Hz, Butterworth, 18 dB)
		*Máx. SPL de pico a 1 m con ruido rosa	*Máx. SPL de pico a 1 m con ruido rosa

## DECLARACIÓN DEL FABRICANTE:

### GARANTÍA LIMITADA

Esta garantía limitada se aplica a los productos de la marca Adam Hall, LD Systems, Defender, Palmer, Cameo y Eminence.

No afecta a los derechos de garantía legal que asume el vendedor. De hecho, le concede al usuario derechos adicionales ante Adam Hall, independientes de la garantía legal.

Adam Hall garantiza que el producto que ha adquirido de Adam Hall o de cualquier distribuidor autorizado de Adam Hall estará exento de defectos de material y mano de obra, en condiciones normales de uso, durante un período de 2 o 3 años a partir de la fecha de compra.

La garantía limitada entra en vigor el día de la fecha de compra. Para tener derecho a esta garantía será necesario presentar un justificante de compra válido en el que figure la fecha de compra del producto, por ejemplo, la factura o el albarán de entrega. Si el producto que ha adquirido necesitara una reparación durante la vigencia de la garantía limitada, tendrá derecho a obtener los servicios de garantía conforme a los términos y condiciones establecidos en este documento.

Esta garantía limitada se aplica únicamente al comprador original de este producto de Adam Hall y no se puede transferir a terceras personas a las que el comprador haya cedido la propiedad del producto. Durante el período de garantía limitada, Adam Hall se compromete a reparar o sustituir las piezas defectuosas del producto. Todas las piezas o componentes retirados durante la reparación pasarán a ser propiedad de Adam Hall.

En el caso poco probable de que se produzca un fallo recurrente en el producto adquirido, Adam Hall, a su entera discreción, podrá optar por sustituir dicho producto por otro de similares características.

Adam Hall no garantiza el funcionamiento ininterrumpido y sin fallos de este producto. Adam Hall no se hace responsable de los posibles daños ocasionados por no seguir las instrucciones de uso suministradas con el producto Adam Hall.

Esta garantía limitada no se aplica:

- en caso de desgaste normal de los consumibles (baterías, etc.)
- a los productos cuyo número de serie ha sido borrado, o que han quedado dañados y defectuosos debido a un accidente
- en caso de defectos ocasionados por una incorrecta utilización o manipulación, o cualquier otra causa ajena
- en caso de utilización del producto no conforme con los parámetros establecidos en la documentación facilitada con el producto
- en caso de utilización de piezas de repuesto no fabricadas o vendidas por Adam Hall
- si el producto ha sido modificado o reparado por personal no autorizado por Adam Hall

Estos términos y condiciones constituyen el acuerdo de garantía íntegro y exclusivo entre usted y Adam Hall en relación con el producto Adam Hall que acaba de adquirir.

## DECLARACIÓN DEL FABRICANTE:

### LIMITACIÓN DE RESPONSABILIDAD

Si su producto Adam Hall no funciona de acuerdo con las garantías mencionadas arriba, tendrá derecho exclusivamente a la reparación o sustitución del mismo. La responsabilidad máxima de Adam Hall en virtud de los términos de esta garantía está limitada al menor importe que resulte del precio de compra del producto, del coste de la reparación o la sustitución de las piezas que han dejado de funcionar en condiciones normales de uso.

Adam Hall no será responsable de cualquier daño causado por el producto o por el mal funcionamiento del producto, incluidas la pérdida de ganancias, la pérdida de ahorros o cualquier consecuencia derivada de dichas pérdidas. Adam Hall no se hará responsable de ninguna reclamación presentada por un tercero o por el comprador inicial en nombre de un tercero.

Esta limitación de responsabilidad se aplicará con independencia de que se solicite una indemnización por daños y perjuicios, o se presenten reclamaciones por negligencia, contractuales o de cualquier otra índole, y no podrá ser derogada o modificada. Esta limitación de responsabilidad será efectiva incluso en el caso de que el comprador hubiese avisado previamente a Adam Hall o a alguno de sus representantes de la posibilidad de reclamar daños y perjuicios. No obstante, esta limitación de responsabilidad no tendrá efecto en caso de reclamación por daños personales.

Esta garantía limitada le otorga derechos legales específicos. Puede que posea derechos adicionales conforme a la legislación del país o Estado en el que se encuentre. Le recomendamos que consulte la legislación vigente en su país o Estado para conocer el alcance de sus derechos.

### APLICACIÓN DE LA GARANTÍA

Para solicitar asistencia técnica en relación con el producto en garantía, póngase en contacto con Adam Hall o con el distribuidor autorizado donde adquirió el producto.

### DECLARACIÓN CE DE CONFORMIDAD

Estos dispositivos cumplen con los requisitos esenciales y otras disposiciones pertinentes de las Directivas 2004/108/EC (EMC) y 2006/95/EC (LVD). Para más información, consulte [www.adamhall.com](http://www.adamhall.com).

### ELIMINACIÓN CORRECTA DE ESTE PRODUCTO (DESECHOS ELÉCTRICOS)

(Aplicable en la Unión Europea y en los países europeos que dispongan de un sistema de recogida selectiva)



El símbolo que aparece sobre el producto o en la documentación adjunta indica que, al final de su vida útil, no deberá desecharse con los demás residuos domésticos. Para evitar posibles efectos negativos en el medio ambiente y en la salud humana debidos al vertido incontrolado de desechos, no mezcle este producto con los demás residuos. La recogida selectiva ayuda a su posterior reciclaje y fomenta la reutilización sostenible de los componentes de este equipo.

Si usted es un particular, deberá ponerse en contacto con el distribuidor donde adquirió este producto, o con el ayuntamiento, para informarse sobre el reciclaje adecuado de este equipo.

Si usted es una empresa, deberá ponerse en contacto con su proveedor e informarse sobre los términos y condiciones de su contrato de compra-venta. Este producto no debe mezclarse con otros residuos industriales.



## DECLARACIÓN DEL FABRICANTE:

### DECLARACIÓN SOBRE WEEE

Este producto LD Systems se ha desarrollado y fabricado con materiales y componentes de alta calidad que se pueden reciclar o reutilizar. Este símbolo indica que los equipos eléctricos y electrónicos deben separarse del resto de residuos comunes al final de su vida útil.

Para desechar este producto, llévelo al punto de recogida municipal o al centro de reciclaje específico para este tipo de equipos. De este modo, contribuirá a proteger el medioambiente.

### PILAS Y ACUMULADORES

Las pilas suministradas o las pilas recargables se pueden reciclar. Para desecharlas, deposítelas en un contenedor especial o entréguelas a su proveedor especializado. Para proteger el medioambiente, deseché sólo pilas gastadas.

### ECOLOGÍA Y AHORRO ENERGÉTICO

Ahorre energía eléctrica para proteger el medio ambiente. Para ello, apague todos los aparatos eléctricos cuando no estén en uso. Además, para evitar el consumo de energía en modo inactivo, desconecte todo aparato eléctrico de la toma de corriente cuando no esté en uso.

Adam Hall GmbH. Todos los derechos reservados. Los datos técnicos y las características funcionales del producto están sujetos a modificaciones. Se prohíbe la fotocopia, traducción y cualquier otra forma de reproducción parcial o total de este manual de usuario.

ENGLISH

DEUTSCH

FRANCAIS

ESPAÑOL

POLSKI

ITALIANO

## Dziękujemy za wybór LD Systems!

Zaprojektowaliśmy ten produkt tak, aby działał sprawnie przez wiele lat. LD-Systems gwarantuje wysoką jakość produktów swoją marką i wieloma latami doświadczenia jako producent.

Prosimy abyś zapoznał się dokładnie z niniejszą instrukcją, ponieważ chcemy abyś szybko mógł cieszyć się w pełni swoim nowym produktem LD Systems.

Więcej informacji na temat LD Systems znajdziesz na naszej stronie internetowej: [WWW.LD-SYSTEMS.COM](http://WWW.LD-SYSTEMS.COM)

## Wprowadzenie

Znakomita jakość systemu LD serii DDQ jest efektem precyzyjnej koncepcji i idealnego wyposażenia zasługującego na najlepszą ocenę.

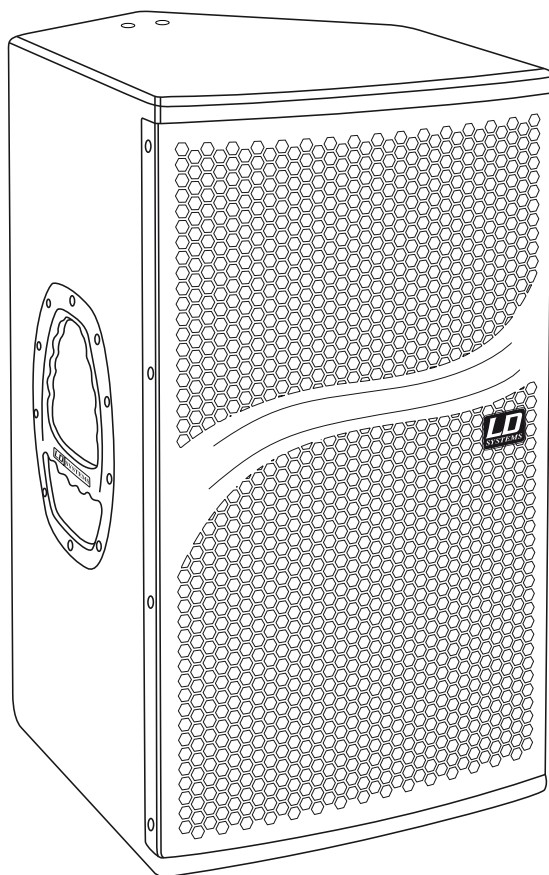
Systemy DDQ są wyposażone w głośniki nisko- i średnionowe firmy Fital Pro oraz głośniki wysokotonowe firmy BMS. Posiadają one oddzielne sterowanie za pomocą dwóch 400-watowych modułów końcówki mocy Hypex UCD400.

Sygnał przetwarzany jest za pomocą zaprogramowanego specjalnie dla aktywnych systemów DDQ procesora Sharc DSP, wyposażonego w przetwornik o imponującym zakresie dynamiki 127 dB. Procesor ten zapewnia kompleksowe zabezpieczenie, przy czym należy tu szczególnie podkreślić działanie inteligentnego peak limitera. Dzięki detekcji sygnału z wyprzedzeniem 1 ms gwarantuje pozabawione jakichkolwiek zniekształceń odtwarzanie dźwięku nawet przy maksymalnej głośności.

Konstrukcja bass reflex głośników aktywnych DDQ wykonana jest ze sklejki. Innowacyjne komfortowe uchwyty i relatywnie nieduża waga umożliwią wygodny transport głośników aktywnych DDQ 10" i 12". Głośniki przewidziane są do wszystkich zastosowań PA: jako sprzęt mobilny, do instalacji stałej, do systemów kompaktowych, systemów FOH lub układów opóźniających, a dzięki zintegrowanemu kątowi 50° mogą być także używane jako monitory sceniczne. Wszystkie systemy DDQ są produkowane w Niemczech!

# LD - SERIA DDQ

**Dwudrożny głośnik aktywny sterowany procesorem  
sygnałowym DSP LDDDQ10/LDDDQ12**



## ŚRODKI OSTROŻNOŚCI:

1. Uważnie przeczytaj poniższe informacje.
  2. Przechowuj wszystkie informacje i instrukcje w bezpiecznym miejscu.
  3. Postępuj zgodnie z instrukcją obsługi.
  4. Przestrzegaj wszystkich ostrzeżeń. Nie usuwaj instrukcji bezpieczeństwa ani żadnych innych informacji umieszczonych na urządzeniu.
  5. Używaj urządzenia tylko zgodnie z jego przeznaczeniem.
  6. Gdy urządzenie montowane jest na stałe, używaj wyłącznie stabilnych stojaków i/lub uchwytów ściennych, odpowiednich dla danego urządzenia. Sprawdź, czy uchwyty ścienne są właściwie zamocowane. Upewnij się, że urządzenie jest bezpiecznie zamocowane i nie występuje ryzyko jego upadku.
  7. Podczas montowania przestrzegaj odpowiednich norm bezpieczeństwa obowiązujących w twoim kraju.
  8. Nie montuj urządzenia w pobliżu kaloryferów, akumulatorów ciepła, pieców lub innych źródeł ciepła. Upewnij się, że urządzenie jest zamontowane w sposób, który umożliwia mu wystarczające chłodzenie i przy którym nie istnieje możliwość jego przegrzania.
  9. Nie umieszczaj otwartych źródeł zapłonu (np. płonących świec) na urządzeniu.
  10. Nie przykrywaj otworów wentylacyjnych.
  11. Nie korzystaj z urządzenia w bezpośrednim sąsiedztwie wody. Nie wystawiaj tego urządzenia na działanie materiałów, płynów lub gazów palnych.
  12. Upewnij się, że rozbryzgi lub krople wody nie dostają się do wnętrza urządzenia. Nie umieszczaj przedmiotów wypełnionych płynami, takich jak wazy lub naczynia do picia, na urządzeniu.
  13. Upewnij się, że żadne przedmioty nie mogą wpaść do wnętrza urządzenia.
  14. Używaj urządzenia wyłącznie z akcesoriami przeznaczonymi do tego celu przez producenta.
  15. UWAGA: Jeśli urządzenie to posiada złączkę zasilania sieciowego, wyposażoną w uzziemienie ochronne, musi ono być podłączone do gniazda zasilania sieciowego z obwodem uziemiającym. Nigdy nie omijaj obwodu uziemiającego w dostarczonym przewodzie zasilającym.
  16. Nie włączaj urządzenia natychmiast po narażeniu go na duże wahania temperatur (np. po transportowaniu go). Wilgoć i skraplanie mogą uszkodzić urządzenie. Nie włączaj urządzenia do momentu, gdy osiągnie ono temperaturę pokojową.
  17. Nie otwieraj urządzenia i nie wprowadzaj do niego żadnych zmian.
  18. Przed podłączeniem urządzenia do zasilania sieciowego, upewnij się, że napięcie i częstotliwość zasilania są takie same, jak robocze wartości urządzenia (patrz: etykieta odnośnie typu). Jeśli urządzenie posiada przełącznik wybierakowy napięcia zasilającego upewnij się, że wartości ustawione na urządzeniu odpowiadają wartościom zasilania sieciowego, przed jego podłączeniem.
- Jeśli wtyczka dołączonego przewodu nie pasuje do twojego gniazdka zasilania sieciowego, skontaktuj się z elektrykiem.
19. Unikaj stawania na przewodzie zasilającym. Zapobiegaj ścisnaniu przewodu zasilającego, zwłaszcza w okolicach gniazda zasilania w urządzeniu i ściennego gniazda zasilania.
  20. Aby zapobiec uszkodzeniu urządzenia i wypadkom spowodowanym, między innymi, potknięciem, sprawdzaj wszystkie połączenia urządzenia po jego podłączeniu.
  21. Przy podłączaniu urządzenia upewnij się, że gniazdo zasilania jest łatwo dostępne. Gdy nie używasz urządzenia lub gdy je czyszysz zawsze odłączaj wtyczkę zasilania. Przewód zasilający odłączaj przez pociągnięcie wtyczki, a nie kabla. Nie dotykać przewodu zasilającego i zasilacza mokrymi rękami!
  22. Unikaj włączania i wyłączania urządzenia w krótkich odstępach czasu, ponieważ może to skrócić okres jego użytkowania.

## ŚRODKI OSTROŻNOŚCI:

ENGLISH

DEUTSCH

FRANCAIS

ESPAÑOL

POLSKI

ITALIANO

23. WAŻNE: Bezpiecznik wymieniaj wyłącznie na bezpiecznik tego samego rodzaju i o tej samej wartości znamionowej. Jeśli bezpiecznik wielokrotnie przepala się, należy skontaktować się z autoryzowanym serwisem.
24. Aby całkowicie odłączyć urządzenie od zasilania, należy wyciągnąć wtyk z gniazda zasilania.
25. Jeśli twoje urządzenie jest wyposażone w złącze zasilania Volex, odpowiadająca mu wtyczka urządzenia Volex powinna być odblokowana, aby ją odłączyć. Oznacza to także, że pociągnięcie za przewód zasilający może spowodować przesunięcie urządzenia, a w konsekwencji uszkodzenia ciała i mienia. Dołóż wszelkich starań w celu odpowiedniego poprowadzenia przewodów zasilających.
26. Odłącz wtyczkę, jeśli istnieje ryzyko uderzenia piorunu lub podczas długich okresów nieużywania.
27. Podczas transportu upewnij się, że i nie istnieje możliwość przewrócenia się transportowanego sprzętu i uszkodzenia ciała i mienia.
28. Jeśli urządzenie nie działa prawidłowo, zostało narażone na działanie płynów, przedmiot znalazł się we wnętrzu obudowy lub nastąpiło innego rodzaju uszkodzenie urządzenia, niezwłocznie wyłącz urządzenie i odłącz od źródła zasilania. Urządzenie może być naprawiane wyłącznie przez autoryzowanych specjalistów.
29. Czyść urządzenie wyłącznie za pomocą suchej szmatki.
30. Przestrzegaj wszystkich krajowych przepisów związanych z utylizacją odpadów. Podczas utylizacji oddziel plastik od papieru/tekstury.
31. Plastikowe torby należy przechowywać w miejscu niedostępnym dla dzieci.



### UWAGA:

Aby zmniejszyć zagrożenie porażeniem elektrycznym, nie zdejmuj pokrywy (lub tylnej części obudowy). Wewnątrz nie znajdują się części, które użytkownik mógłby samodzielnie naprawić. Pozostaw obsługę serwisową wykwalifikowanym fachowcom.



Symbol błyskawicy ze strzałką wpisany w trójkąt ostrzega użytkownika przed obecnością nieizolowanego "niebezpiecznego napięcia" wytworzonego w obrębie obudowy wyrobu, które może stanowić zagrożenie dla człowieka.

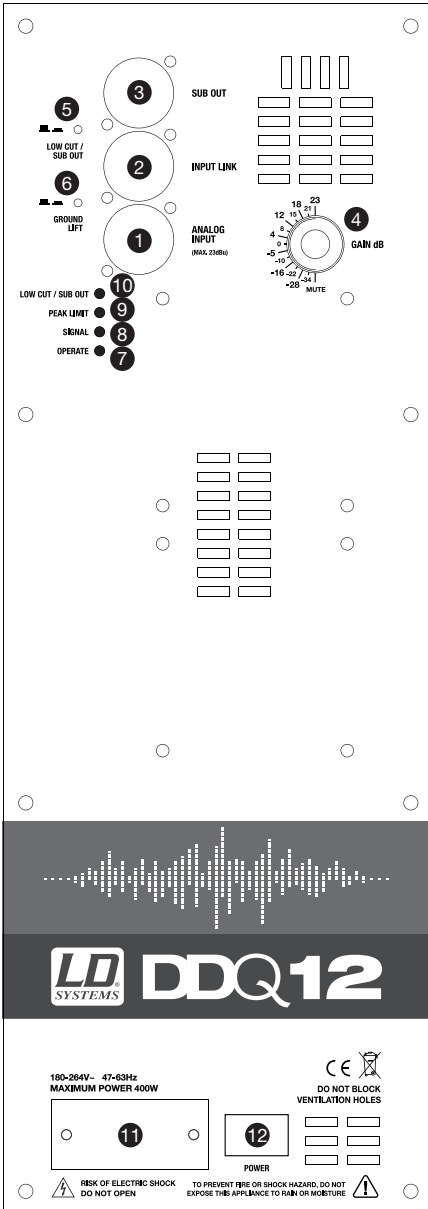


Znak wykrzyknika wewnątrz trójkąta równobocznego zwraca uwagę użytkownika na umieszczone w dokumentach dostarczonych wraz z produktem instrukcje zawierające ważne wskazówki odnośnie obsługi lub konserwacji (serwisu) urządzenia.

### OSTRZEŻENIE! WYSOKI POZIOM GŁOŚNOŚCI!

Produkt ten jest przeznaczony do zastosowań profesjonalnych. W związku z tym komercyjne użytkowanie tego sprzętu podlega zasadom i przepisom bezpieczeństwa, właściwym dla danego sektora działalności, w tym regulacjom określonym przez towarzystwa ubezpieczeniowe. Przepisy nakładają na firmę Adam Hall, jako na wytwórcę, obowiązek poinformowania użytkownika o istnieniu potencjalnych zagrożeń dla zdrowia. Produkt mogą z łatwością wygenerować wystarczający poziom ciśnienia akustycznego (SPL), by trwale uszkodzić słuch artystów, członków ekipy produkcyjnej oraz publiczności. Należy podjąć stosowne środki bezpieczeństwa, aby uniknąć długotrwałego działania ciśnienia akustycznego, przekraczającego poziom 90 dB.

# TYLNA STRONA/ELEMENTY OBSŁUGI (NA ILUSTRACJI LDDQ12):



## 1 ANALOG INPUT

Symetryczne wejście liniowe XLR (maks. 23 dBu).

## 2 INPUT LINK

Symetryczne wyjście liniowe XLR.

## 3 SUB OUT

Symetryczne wyjście liniowe XLR dla subwoofera.

## 4 GAIN DB

Regulator czułości wejściowej, wzgl. głośność modułu wzmacniacza. Przekroczenie maksymalnego poziomu wejściowego (23 dBu) sygnalizowane jest poprzez miganie wszystkich diod LED 7-10. W takiej sytuacji należy zmniejszyć poziom źródła sygnału, aby wyeliminować zniekształcenia dźwięku.

## 5 LOW CUT/SUB OUT

Włączony przełącznik uruchamia zarówno filtr górnoprzepustowy dla urządzenia DDQ10/12 (100 Hz, 18 dB/okt. Butterworth), jak i filtr dolnoprzepustowy (100 Hz, 18 dB/okt. Butterworth) dla wyjścia SUB OUT. Jeżeli przełącznik jest wyłączony, na sygnał wyjściowy nie działa żaden filtr.

## 6 GROUND LIFT

Może wyeliminować zakłócenia radioelektryczne przy podłączaniu urządzeń o różnych potencjałach uziemienia.

## 7 OPERATE LED

Zapala się, gdy system głośników zostanie włączony i prawidłowo podłączony do sieci elektrycznej.

## 8 SIGNAL LED

Zapala się, gdy pojawi się sygnał audio na wejściu liniowym (> -30 dBu).

## TYLNA STRONA/ELEMENTY OBSŁUGI (NA ILUSTRACJI LDDDQ12):

### 9 PEAK LIMIT LED

Zapala się, gdy głośnik pracuje w zakresie granicznym. Krótkie zaświecenie się diody nie jest krytyczne, ponieważ wewnętrzny audio limiter reguluje przesterowania. Stałe świecenie należy wyeliminować poprzez obniżenie poziomu wejściowego.

### 10 LOW CUT/SUB OUT LED

Zapala się, gdy wciśnięty jest związany z nią włącznik.

### 11 GNIAZDO ZASILANIA SIECIOWEGO

(180–264 V AC, 47–63 Hz)

Podłączanie przy użyciu kabla sieciowego IEC dostarczanego wraz z głośnikiem.

### 12 WŁĄCZNIK SIECIOWY

Służy do włączania i wyłączania urządzenia.

ENGLISH

DEUTSCH

FRANCAIS

ESPAÑOL

POLSKI

ITALIANO

# CHARAKTERYSTYKA CZĘSTOTLIWOŚCIOWA:

ENGLISH

DEUTSCH

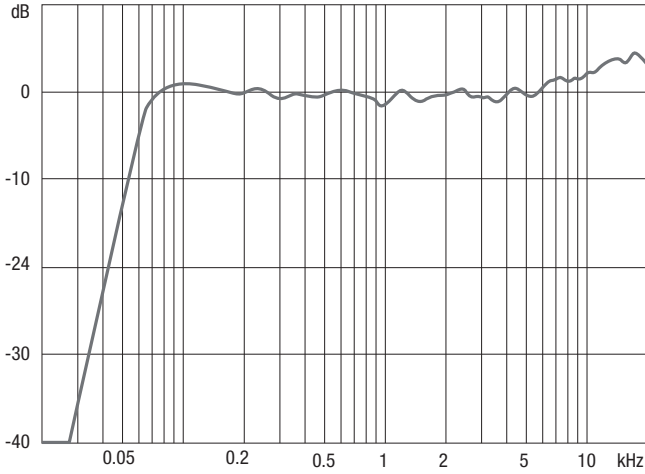
FRANCAIS

ESPAÑOL

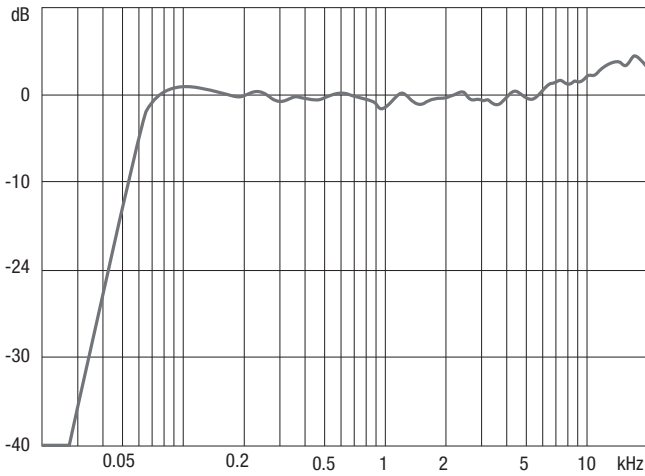
POLSKI

ITALIANO

**LDDDQ10**



**LDDDQ12**





# CHARAKTERYSTYKA PROMIENIOWA-

ENGLISH

DEUTSCH

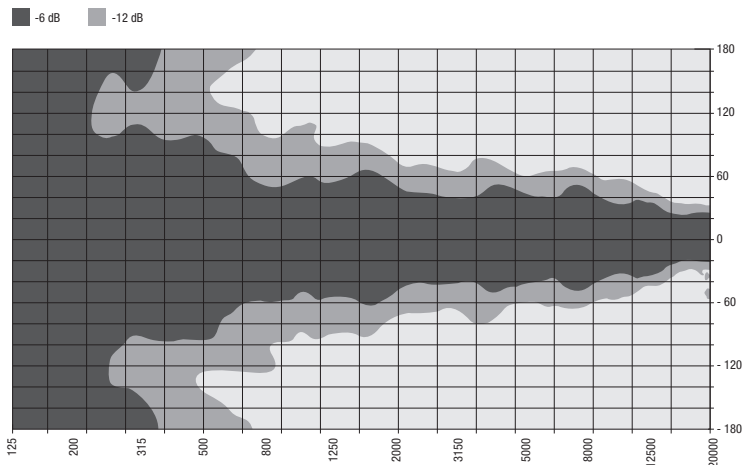
FRANCAIS

ESPAÑOL

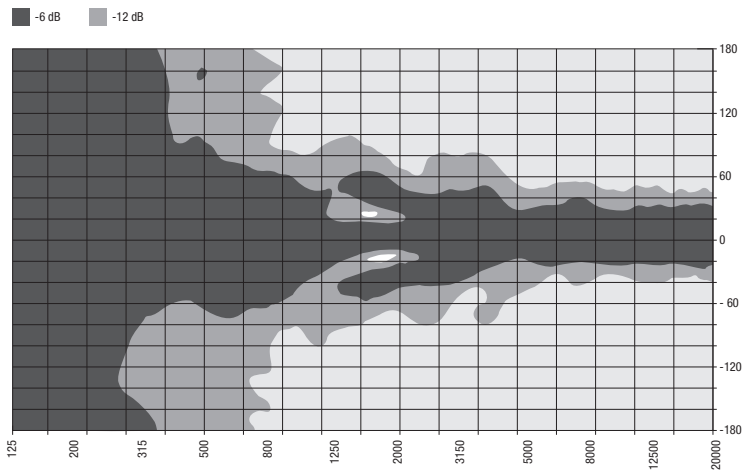
POLSKI

ITALIANO

Horizontal Isobars of: LD DDQ10



Vertical Isobars of: LD DDQ10



# CHARAKTERYSTYKA PROMIENIOWANIA:

ENGLISH

DEUTSCH

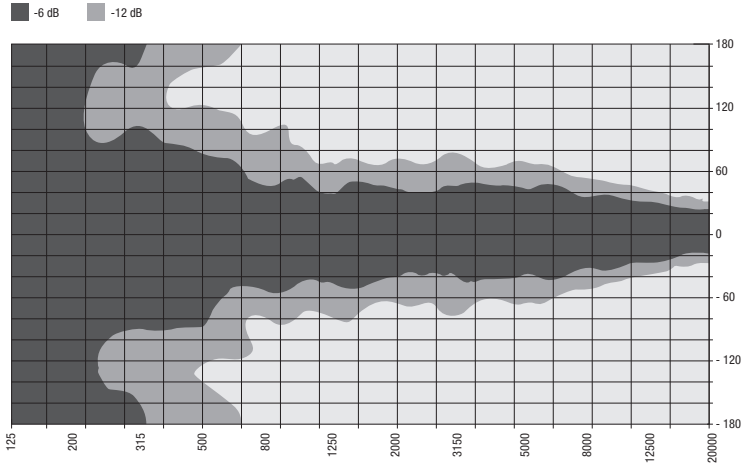
FRANCAIS

ESPAÑOL

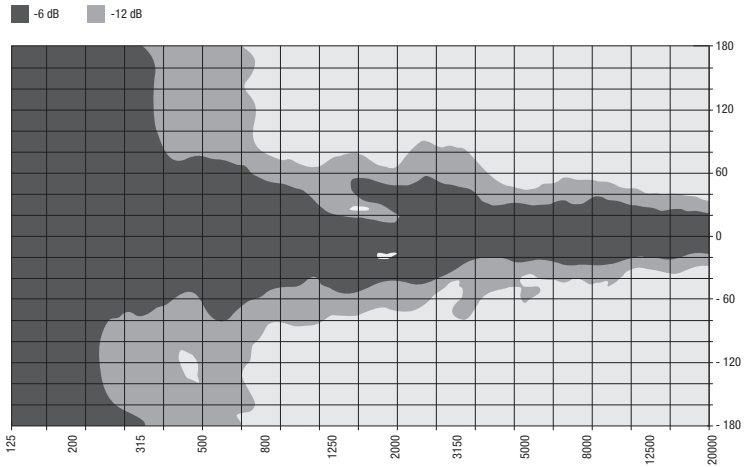
POLSKI

ITALIANO

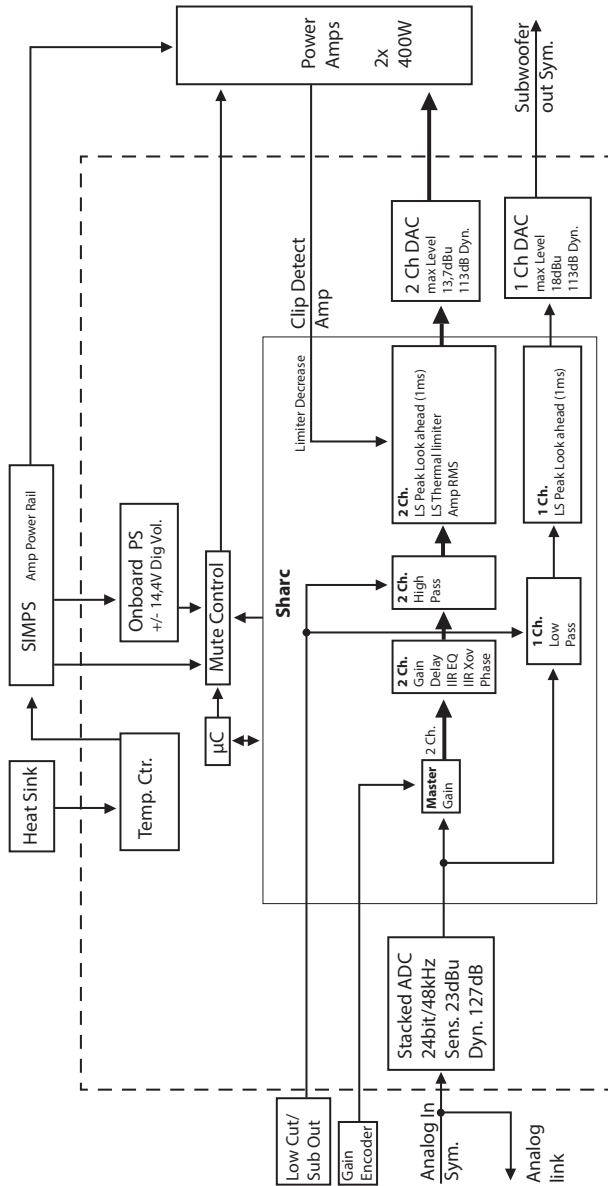
Horizontal Isobars of: LD DDQ12



Vertical Isobars of: LD DDQ12



# SCHEMAT BLOKOWY DSP:



ENGLISH

DEUTSCH

FRANCAIS

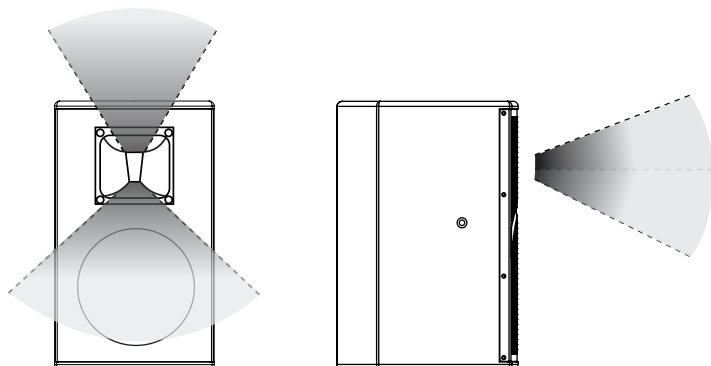
ESPAÑOL

POLSKI

ITALIANO

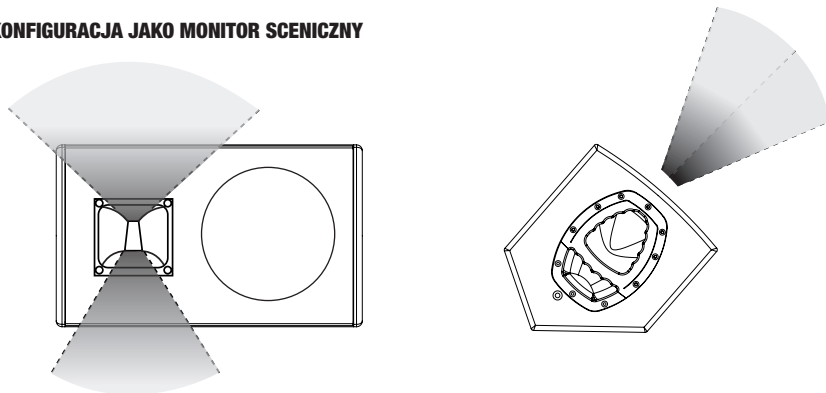
## KONFIGURACJA GŁOŚNIKA HORN:

### KONFIGURACJA FRONT OF HOUSE



W celu zastosowania FOH węższa część otworu głośnika horn HF powinna być skierowana w dół.

### KONFIGURACJA JAKO MONITOR SCENICZNY



W celu zastosowania głośników LDDDQ10 i LDDDQ12 w charakterze monitora scenicznego można je ustawić w pozycji leżącej na boku (ustawienie poziome). W razie potrzeby głośnik horn HF można obrócić o 90°, aby uzyskać większy kąt promieniowania dźwięku. W tym celu należy wcześniej wyłączyć głośnik i odłączyć od sieci zasilającej. Następnie należy zdjąć przednią kratkę oraz wykręcić i wyjąć śruby przy kołnierzu mocującym głośnik horn. Po wykonaniu tej czynności głośnik horn można obrócić o 90° i ponownie przymocować (nie wolno obracać go o więcej niż 90°). Jeśli głośnik horn HF ma być ponownie używany w pozycji pionowej, należy koniecznie obrócić go w przeciwnym kierunku. Jeśli głośnik horn HF będzie wielokrotnie obracany w tym samym kierunku, może to doprowadzić do uszkodzenia przewodu zasilającego system głośników wysokotonowych lub ich zacisków.

## INSTALACJA | MONTAŻ:

ENGLISH

DEUTSCH

FRANCAIS

ESPAÑOL

POLSKI

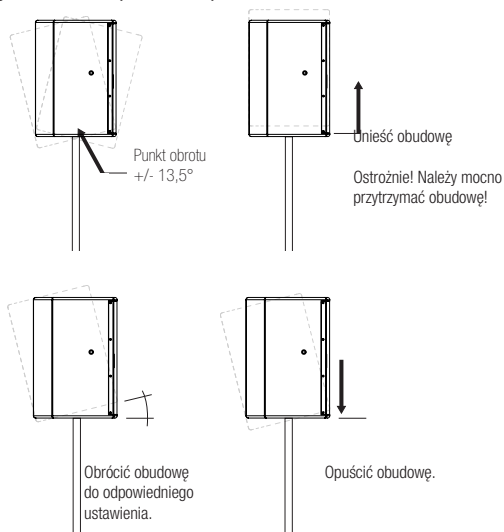
ITALIANO

### USTAWIENIA KOŁNIERZA STATYWU OBUDOWY SM707

Zintegrowany, opatentowany kołnierz statywu obudowy SM707 oferuje niezwykle elastyczne możliwości regulacji.

Umożliwia on kąt nachylenia między + a - 13,5 stopnia w skokach co 4,5°.

Ostrożnie unieść obudowę nieco w górę (ok. 0,5 cm), aby zwolnić mechanizm blokujący, a następnie obrócić obudowę do odpowiedniego ustawienia i ponownie opuścić.



### STOSOWANIE W POWIETRZU:

Głośniki są wyposażone w osprzęt do eksploatacji w powietrzu.

Obudowy serii LD DDQ posiadają gwint M8 dla haków oczkowych M8, za pomocą których można zawiesić głośniki na łańcuchach lub linach stalowych przy użyciu karabinków.

Należy stosować wyłącznie odpowiednio certyfikowany, nieuszkodzony osprzęt do zawieszania (uchwyty oczkowe, haki oczkowe, karabinki, łańcuchy, liny stalowe itp.) Należy także przestrzegać odpowiednich wymogów dotyczących unoszenia sprzętu w powietrzu ponad ludźmi, określonych w odpowiednich obowiązujących przepisach (przepisy krajowe)!

Zamiast uchwytów oczkowych można użyć stworzonych specjalnie dla serii LD DDQ uchwytów wahadłowych LDDDQ10SB i LDDDQ12SB do stosowania w powietrzu. Instrukcje montażu znajdują się na następnych 2 stronach niniejszej instrukcji obsługi. Bezpieczne mocowanie uchwytów wahadłowych do systemów belek umożliwiają na przykład opcjonalny samozaciskowy hak Adam Hall SCP838.

### KONSERWACJA:

Obudowę głośnika zaleca się czyścić przy użyciu suchej, średnio twardej szcztotki (do tapet). Panel sterowania należy czyścić wyłącznie suchą szmatką.

UCHWYT WAHADŁOWY LDDDQ10SB:

ENGLISH

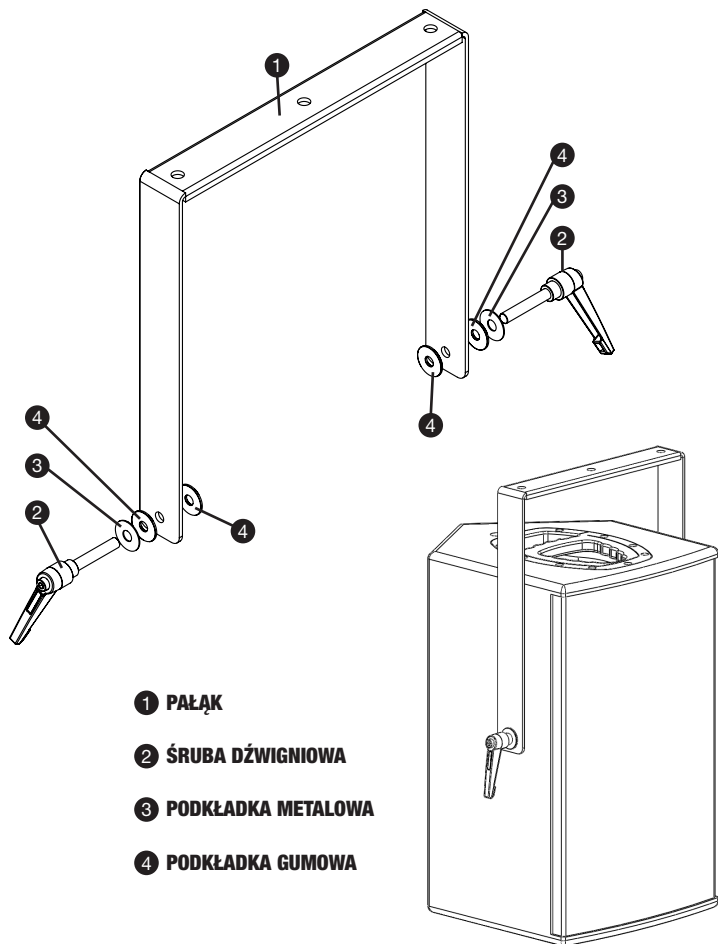
DEUTSCH

FRANCAIS

ESPAÑOL

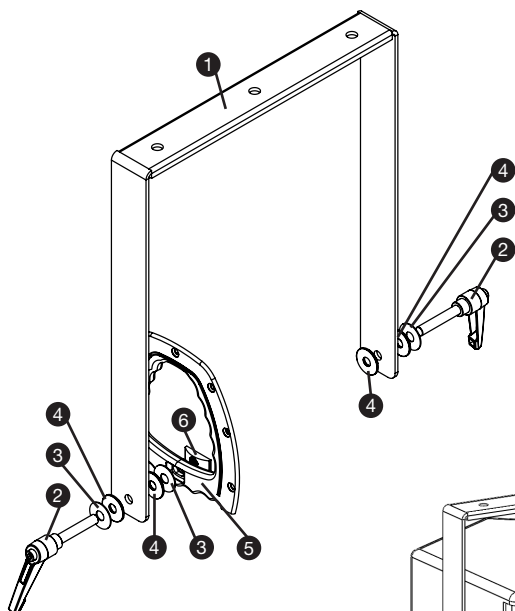
POLSKI

ITALIANO

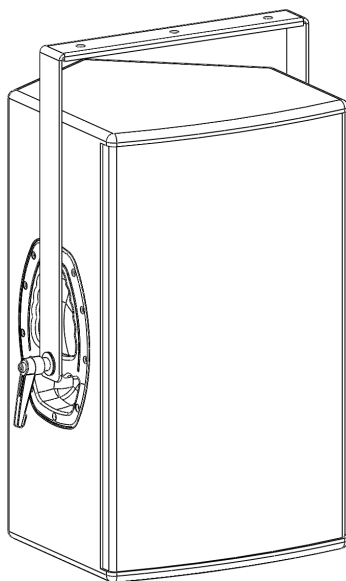


- 1 PAŁĄK
- 2 ŚRUBA DŹWIGNIOWA
- 3 PODKŁADKA METALOWA
- 4 PODKŁADKA GUMOWA

## UCHWYT WAHADŁOWY LDDDQ12SB:



- ❶ PAŁĄK
- ❷ ŚRUBA DŹWIGNIOWA
- ❸ PODKŁADKA METALOWA
- ❹ PODKŁADKA GUMOWA
- ❺ RAMA UCHWYTU
- ❻ NAKRĘTKA PÓŁOKRĄGŁA



ENGLISH

DEUTSCH

FRANCAIS

ESPAÑOL

POLSKI

ITALIANO

## AKCESORIA:

### LDDDQ10B/LDDDQ12B

Osłona ochronna do LDDDQ10/LDDDQ12



### LDDDQ10WB/LDDDQ12WB

Uchwyt do montażu na ścianie do LDDDQ10/LDDDQ12



### SPS023S/SPS023

Statyw



### SMBS5

Płyta do montażu na ścianie



### LDDDQ10SB/LDDDQ12SB

Uchwyt wahadłowy do LDDDQ10/LDDDQ12





## SPECYFIKACJE:

Rodzaj produktu		Głośnik PA sterowany procesorem DSP	Głośnik PA sterowany procesorem DSP
Typ:		aktywny	aktywny
Wymiary głośnika nisko-/średniotonowego:	"	10	12
Wymiary głośnika nisko-/średniotonowego:	mm	254	305
Magnes głośnika nisko-/średniotonowego:		neodymowy	neodymowy
Marka głośnika nisko-/średniotonowego:		Faital Pro (10PR300, 4 omy)	Faital Pro (12PR300, 4 omy)
Cewka drgająca głośnika nisko-/średniotonowego:	"	2,5	2,5
Cewka drgająca głośnika nisko-/średniotonowego:	mm	63,5	63,5
Głośnik horn:		asymetryczny	asymetryczny
Wymiary głośnika wysokotonowego:	"	1	1
Wymiary głośnika wysokotonowego:	mm	25,4	25,4
Magnes głośnika wysokotonowego:		ceramiczny	ceramiczny
Marka głośnika wysokotonowego:		BMS 4524	BMS 4524
Cewka drgająca głośnika wysokotonowego:	"	1	1
Cewka drgająca głośnika wysokotonowego:	mm	25,4	25,4
Kąt promieniowania dźwięku (poziomo x pionowo):	°	80 x 60 asymetrycznie	80 x 50 asymetrycznie
Przetwornik AD/DA		24 bit/48 kHz	24 bit/48 kHz
DSP:		Sharc	Sharc
Wzmacniacz:		2 x Class D Hypex UCD400	2 x Class D Hypex UCD400
Moc głośnika niskotonowego (RMS):	W	400	400
Moc głośnika wysokotonowego (RMS):	W	400	400
Charakterystyka częstotliwości:	Hz	59–20.000	54–20.000

ENGLISH

DEUTSCH

FRANCAIS

ESPAÑOL

POLSKI

ITALIANO

## SPECYFIKACJE:

ENGLISH

DEUTSCH

FRANÇAIS

ESPAÑOL

POLSKI

ITALIANO

Częstotliwość przejęcia:	Hz	1.500	1.500
Maks. SPL (ciągły):	dB	119,5 @ 100–10.000 Hz program ciągły	121 @ 100–10.000 Hz program ciągły
Maks. SPL (szczytowy):	dB	132*	134*
Wyłączniki ochronne:		Oparty na DSP limiter „look ahead”, limiter głośnika RMS, limiter zasilacza RMS, przepięcie, prąd przeciążeniowy	Oparty na DSP limiter „look ahead”, limiter głośnika RMS, limiter zasilacza RMS, przepięcie, prąd przeciążeniowy
Impedancja wejściowa:	ki-loom	10	10
Czułość wejściowa:	dBu	maks. 23	maks. 23
Elementy obsługi:		Gain dB, Low-Cut/Sub Out, Ground Lift, włącznik sieciowy	Gain dB, Low-Cut/Sub Out, Ground Lift, włącznik sieciowy
Wyświetlacze:		Operate, Signal, Peak Limit, Low-Cut/Sub Out	Operate, Signal, Peak Limit, Low-Cut/Sub Out
Wejścia liniowe:		1	1
Złącze wejścia liniowego:		XLR	XLR
Wyjścia liniowe:		Input Link, Sub Out	Input Link, Sub Out
Złącza wyjścia liniowego:		XLR	XLR
Napięcie robocze:		180–264 V AC, 47–63 Hz	180–264 V AC, 47–63 Hz
Materiał obudowy:		sklejka brzożowa 15 mm	sklejka brzożowa 15 mm
Powierzchnia obudowy:		powłoka poliamidowa	powłoka poliamidowa
Typ konstrukcji obudowy:		Bassreflex	Bassreflex
Kąt monitora:	°	50	50
Szerokość:	mm	315	360
Wysokość:	mm	530	600
Głębokość:	mm	370	378
Waga:	kg	15,5	17
Pozostałe cechy:		Komfortowe uchwyty LD SYSTEMS, kołnierz stojaka 36 mm, nachylenie pionowe (SM707), możliwość mocowania w uchwycie wahadłowym, filtr górnoprzepustowy z włącznikiem (100 Hz, Butterworth, 18 dB)	Komfortowe uchwyty LD SYSTEMS, kołnierz stojaka 36 mm, nachylenie pionowe (SM707), możliwość mocowania w uchwycie wahadłowym, filtr górnoprzepustowy z włącznikiem (100 Hz, Butterworth, 18 dB)
		*Krótkotrwały maks. SPL szczytowy 1 m z szumem różowym	*Krótkotrwały maks. SPL szczytowy 1 m z szumem różowym

## OŚWIADCZENIE PRODUCENTA:

ENGLISH

DEUTSCH

FRANCAIS

ESPAÑOL

POLSKI

ITALIANO

### OGRANICZONA GWARANCJA

Ta Ograniczona Gwarancja dotyczy produktów marek Adam Hall, LD Systems, Defender, Palmer, Cameo oraz Eminence.

Niniejsza gwarancja nie wpływa na prawa gwarancyjne wynikające z przepisów lokalnych. Jest to dodatkowa, niezależna gwarancja ze strony firmy Adam Hall.

Adam Hall gwarantuje, że zakupiony produkt Adam Hall zakupiony od firmy Adam Hall lub autoryzowanego przedstawiciela Adam Hall, pozostanie wolny od wad w materiałach i wykonaniu, przy normalnym użytkowaniu przez okres 2 lub 3 lat od daty zakupu.

Okres gwarancyjny rozpoczyna się z dniem zakupu. Aby móc skorzystać z serwisu gwarancyjnego, kupujący zobowiązany jest do przedstawienia dowodu zakupu opatrzonego datą. Dokumenty takie jak paragon, faktura lub list przewozowy mogą być dowodem daty zakupu. Jeśli produkt wymienionych powyżej marek wymaga naprawy w czasie trwania okresu gwarancyjnego, nabywcy przysługują gwarancyjne usługi serwisowe zgodne z warunkami przedstawionymi w tym dokumencie.

Niniejsza gwarancja obejmuje wyłącznie oryginalnego nabywcę produktu marki Adam Hall i nie można jej przenieść na inną osobę, która przejmie własność produktu od oryginalnego nabywcy. Podczas okresu gwarancyjnego, Adam Hall zobowiązuje się do naprawy lub wymiany wadliwych komponentów produktu. Wszystkie części i elementy wymontowane z urządzenia podczas działań serwisowych stają się własnością Adam Hall.

W mało prawdopodobnym przypadku powtarzania się wady produktu Adam Hall, Adam Hall może zdecydować o dostarczeniu urządzenia zamiennego wybranego przez Adam Hall, które charakteryzuje się co najmniej takimi samymi parametrami jak reklamowany produkt.

Adam Hall nie gwarantuje, że eksploatacja produktu będzie przebiegać bezbłędnie lub nieprzerwanie. Adam Hall nie ponosi odpowiedzialności za uszkodzenia wynikające z niezastosowania się użytkownika do instrukcji dołączonej do produktu Adam Hall.

Ta Ograniczona Gwarancja nie dotyczy,

- części podlegających normalnemu zużyciu (np. akumulator)
- produktów, których numer seryjny został usunięty, uszkodzony lub pozbawiony czytelności wyniku wypadku
- przypadków nieprawidłowego użycia, celowego uszkodzenia lub powodów zewnętrznych
- przekroczenia dopuszczalnych parametrów pracy określonych w dokumentacji dostarczonej z produktem
- użycia części zamiennych nie pochodzących od Adam Hall
- przez modyfikację lub serwis nieprzeprowadzony przez Adam Hall

Te warunki określają kompletną i wyłączną umowę gwarancyjną między Nabywcą i firmą Adam Hall odnośnie zakupionego produktu markowego Adam Hall.

## OŚWIADCZENIE PRODUCENTA:

### OGRANICZENIE ODPOWIEDZIALNOŚCI

Jeśli Twój produkt Adam Hall nie działa prawidłowo, wskazanym i wyłącznym rozwiązaniem jest naprawa lub wymiana. Maksymalna odpowiedzialność firmy Adam Hall w związku z niniejszą gwarancją ogranicza się maksymalnie do kwoty równej cenie zakupu produktu lub kosztom naprawy lub wymiany komponentów sprzętowych, które uległy uszkodzeniu lub nie działają prawidłowo podczas normalnego użytkowania. Adam Hall nie odpowiada za jakiegokolwiek szkody spowodowane przez produkt lub awarię produktu, włącznie z utratą zysków lub oszczędności, szczególnych, przypadkowych lub powiązanych szkód. Adam Hall nie ponosi odpowiedzialności za zobowiązania użytkownika wobec stron trzecich lub zobowiązania stron trzecich wobec użytkownika.

Ograniczenie odpowiedzialności ma zastosowanie w przypadku, gdy występują roszczenia odszkodowawcze lub składane są reklamacje na podstawie niniejszej gwarancji lub jako roszczenie z tytułu czynu niedozwolonego (włączając w to zaniedbanie oraz ścisłą odpowiedzialność za produkt), roszczenie z umowy lub jakiegokolwiek inne roszczenie. Żadna osoba nie może uchylić lub zmienić tych ograniczeń odpowiedzialności. Niniejsze ograniczenie odpowiedzialności pozostaje w mocy nawet jeśli nabywca poinformował firmę Adam Hall lub jej autoryzowanego przedstawiciela o możliwości wystąpienia takich szkód. Te ograniczenia odpowiedzialności nie dotyczą roszczeń wynikających z wystąpienia obrażeń u osób.

Niniejsza Gwarancja daje Ci pewne specyficzne prawa. Mogą przysługiwać Ci również inne prawa, które różnią się między sobą zależnie od państwa nadania. Radzimy zapoznanie się z prawem właściwym krajowi zamieszkania, w celu uzyskania kompletnej wiedzy na temat przysługujących praw.

### ŻĄDANIE OBSŁUGI GWARANCYJNEJ

Aby uzyskać obsługę gwarancyjną swojego produktu, skontaktuj się z firmą Adam Hall lub jej autoryzowanym przedstawicielem od którego kupiłeś produkt.

### DEKLARACJA ZGODNOŚCI WE

Urządzenia te odpowiadają podstawowym wymagom i innym wytycznym dyrektyw 2004/108/EC (EMC) i 2006/95/EC (LVD). Więcej informacji na stronie: [www.adamhall.com](http://www.adamhall.com).

### PRAWIDŁOWE SKŁADOWANIE TEGO PRODUKTU (ODPADY ELEKTRONICZNEI)



(Informacje mają zastosowanie w krajach członkowskich UE i innych krajach europejskich, w których obowiązuje segregacja odpadów)

Ten znak na produkcie lub dołączonej dokumentacji oznacza, że nie należy go wyrzucać wraz z domowymi odpadkami po wycofaniu z użycia. Aby zapobiec możliwym szkodom dla środowiska i ludzkiego zdrowia spowodowanym niekontrolowanym składowaniem odpadów, prosimy o oddzielenie tego produktu od innych odpadów i odpowiedzialne poddanie go recyklingowi w celu promowania ciągłego odzyskiwania zasobów materiałowych.

Użytkownicy domowi powinni skontaktować się ze sprzedawcą lub lokalnym urzędem, aby uzyskać informacje na temat przyjaznej środowisku zbiórki odpadów elektronicznych.

Użytkownicy biznesowi powinni skontaktować się ze swoim dostawcą i sprawdzić warunki kontraktu nabycia. Tego produktu nie należy mieszać z innymi odpadami komercyjnymi przy składowaniu.

## OŚWIADCZENIE PRODUCENTA:

### DEKLARACJA-WEEE



Twój produkt LD Systems został zaprojektowany i wykonany z wysokiej jakości materiałów i komponentów, które można poddać recyklingowi i/lub użyć ponownie. Ten symbol oznacza, że sprzęt elektryczny i elektroniczny należy składować osobno od normalnych odpadów po zakończeniu użytkowania.

Prosimy, przekaż ten produkt do lokalnego punktu zbiórki lub centrum recyklingowego przeznaczonego dla tego typu sprzętu. W ten sposób przyczynisz się do ochrony środowiska, w którym żyjemy.

### BATERIE I AKUMULATORY



Dołączone baterie lub akumulatory można poddać recyklingowi. Prosimy, składuj je jako specjalne odpady lub wróć do punktu nabycia. W celu ochrony środowiska wyrzucaj wyłącznie zużyte baterie.

### OCHRONA ŚRODOWISKA I OSZCZĘDNOŚĆ ENERGII:

Oszczędność energii elektrycznej pomaga chronić środowisko. Należy wyłączyć wszystkie urządzenia elektryczne, jeśli nie są w użyciu. Aby uniknąć zużycia prądu w trybie bezczynności, należy odłączyć wszystkie urządzenia elektryczne od sieci zasilającej, gdy nie są w użyciu.

ENGLISH

DEUTSCH

FRANCAIS

ESPAÑOL

POLSKI

ITALIANO

Adam Hall GmbH, wszystkie prawa zastrzeżone. Dane techniczne i funkcjonalne produktu mogą podlegać modyfikacjom. Kopiowanie, tłumaczenie i pozostałe formy reprodukcji fragmentów lub całości tej instrukcji obsługi są zabronione.

## Acquistando un prodotto LD Systems avete fatto la scelta giusta!

Quest'apparecchio è stato sviluppato e prodotto secondo elevati standard qualitativi che garantiscono un funzionamento regolare per molti anni. Per questo motivo LD Systems, con il suo nome e la pluriennale esperienza, rappresenta un'azienda produttrice di prodotti audio di qualità.

Leggete attentamente questo manuale d'uso per utilizzare al meglio il vostro nuovo amplificatore LD Systems.

Per ulteriori informazioni sui prodotti LD Systems consultate il nostro sito internet [WWW.LD-SYSTEMS.COM](http://WWW.LD-SYSTEMS.COM)

## Introduzione

Le eccellenti prestazioni della serie DDQ di LD Systems sono il risultato di un concetto di precisione combinato con un'apparecchiatura perfetta, che meritano le migliori valutazioni.

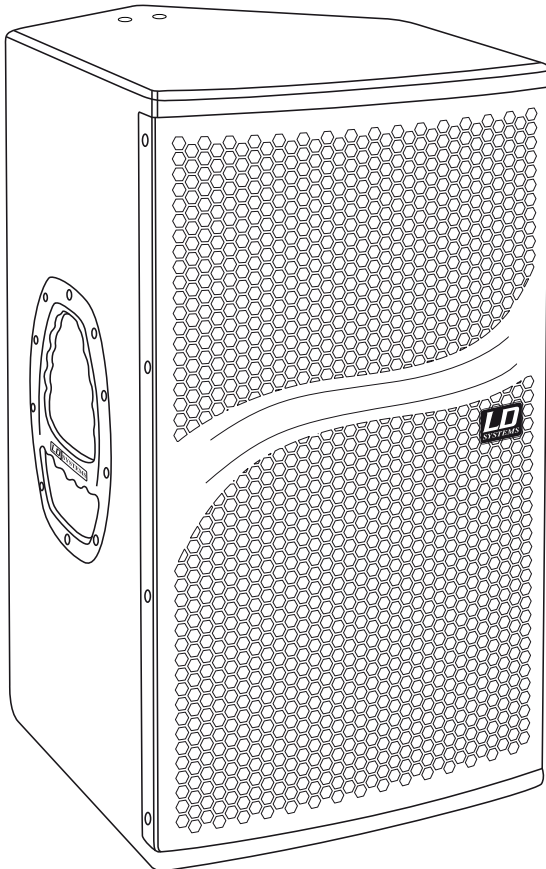
I sistemi DDQ sono dotati di woofer e altoparlanti dei toni medi di BMS di Faital Pro e di driver per tweeter di BMS, che vengono controllati separatamente da due moduli per finali di potenza da 400W Hypex UCD400.

Il segnale viene elaborato da un DSP Sharc programmato specificatamente per i sistemi attivi DDQ e dotato di convertitori con un notevole intervallo dinamico di 127 dB. Il DSP acquisisce tutte le funzioni protettive, tra cui merita una distinzione l'opportuno Peak Limiter. Grazie ad un intervallo di anticipo di 1 millisecondo, esso garantisce infatti una riproduzione assolutamente priva di distorsioni anche a volumi elevati.

La struttura Bass Reflex degli altoparlanti attivi DDQ è realizzata in multiplex. Grazie alle innovative maniglie evolutive e al suo peso ridotto, gli altoparlanti attivi DDQ da 10" e da 12" sono facili da trasportare. Sono concepiti per tutte le applicazioni PA, come l'impiego mobile, impianti fissi, impianti compatti, sistemi FOH o linee di ritardo. Inoltre, grazie alla staffa integrata orientabile a 50°, possono essere utilizzati anche come monitor da palco. Tutti i sistemi DDQ vengono prodotti in Germania.

# LD **SERIE DDQ**

**ALTOPARLANTE** ATTIVO A 2 VIE CONTROLLATO TRAMITE DSP  
LDDDQ10 / LDDDQ12



ENGLISH

DEUTSCH

FRANCAIS

ESPAÑOL

POLSKI

ITALIANO

## MISURE PREVENTIVE:

1. Leggere attentamente queste informazioni.
2. Conservare le informazioni e istruzioni in un luogo sicuro.
3. Seguire le istruzioni.
4. Osservare tutte le avvertenze. Non togliere le istruzioni di sicurezza o qualsiasi altra informazione che si trova sul dispositivo.
5. Usare il dispositivo solo per lo scopo per cui è previsto.
6. Utilizzare unicamente dei supporti e/o sistemi di fissaggio stabili e adeguati per l'installazione permanente del dispositivo. Assicurarsi che i supporti a parete siano saldi. Assicurarsi che il dispositivo sia installato in modo sicuro e non possa cadere.
7. Quando si installa il dispositivo, osservare le norme di sicurezza del proprio paese.
8. Non installare il dispositivo vicino a radiatori, accumulatori di calore, forni o qualsiasi altra fonte di calore. Assicurarsi che il dispositivo venga sempre installato in modo da garantire una ventilazione sufficiente affinché non si surriscaldi.
9. Non collocare possibili fonti di incendio, ad es. candele accese, sul dispositivo.
10. Non coprire le griglie di ventilazione.
11. Non far funzionare il dispositivo in prossimità di acqua. Non esporre il dispositivo a materiali, liquidi o gas infiammabili.
12. Assicurarsi che eventuali rovesciamenti o spruzzi d'acqua non possano entrare all'interno del dispositivo. Non collocare oggetti pieni di fluido, come ad esempio bicchieri o coppe sopra il dispositivo.
13. Assicurarsi che non possa cadere nessun oggetto all'interno del dispositivo.
14. Usare il dispositivo unicamente con gli accessori consigliati dal fabbricante.
15. **ATTENZIONE:** Se il dispositivo ha un connettore dotato di presa di terra, dovrà essere collegato a una presa di corrente con connessione alla presa di terra. Non disattivare mai la funzione della connessione di protezione a terra del cavo di alimentazione.
16. Non accendere immediatamente il dispositivo se è stato esposto a un cambiamento brusco della temperatura (ad esempio dopo il trasporto). L'umidità e la condensazione potrebbero danneggiare il dispositivo. Lasciare spento il dispositivo fino al raggiungimento della temperatura ambiente.
17. Non aprire il dispositivo e non cercare di modificarlo.
18. Prima di collegare il dispositivo alla corrente, assicurarsi che la tensione e la frequenza siano uguali ai valori indicati nel dispositivo (vedi targhetta delle specifiche). Se il dispositivo è dotato di un selettore di tensione, assicurarsi che i valori del dispositivo corrispondano con i valori della rete elettrica prima della connessione. Se la spina del cavo di alimentazione fornito non entra nella presa, contattare un elettricista.
19. Controllare che il cavo di alimentazione non sia schiacciato. Assicurarsi che il cavo di alimentazione non venga pizzicato, soprattutto alle estremità di connessione al dispositivo e alla presa di alimentazione.
20. Per evitare danni o infortuni, ad esempio per cadute, verificare tutte le connessioni una volta collegato il dispositivo.
21. Quando si collega il dispositivo, assicurarsi che ci sia una presa elettrica comodamente accessibile. Scollegare la spina dalla presa elettrica quando non si utilizza il dispositivo o durante la sua pulizia. Scollegare il cavo di alimentazione tirando la spina, non il cavo. Non toccare mai il cavo di alimentazione e l'alimentatore con le mani umide.
22. Evitare di accendere e spegnere il dispositivo a intervalli brevi, poiché potrebbe ridurre la vita utile dello stesso.
23. **IMPORTANTE:** Sostituire il fusibile solo con fusibili dello stesso tipo e potenza nominale! Se il fusibile dovesse



## MISURE PREVENTIVE:

ENGLISH

DEUTSCH

FRANCAIS

ESPAÑOL

POLSKI

ITALIANO

saltare ripetutamente, contattare un centro di assistenza autorizzato!

24. Per scollegare completamente il dispositivo dell'alimentazione, bisogna staccare il la spina.

25. Se il dispositivo è dotato di un connettore Volex, bisognerà sbloccare il Volex del dispositivo per poterlo scollegare. Ciò significa anche che se si tira il cavo di alimentazione si può spostare il dispositivo causando danni personali e/o materiali. Per questo bisogna assicurarsi di tirare i cavi con particolare attenzione.

26. Se esiste il rischio di caduta di fulmini o durante periodi di disuso prolungati, scollegare la spina.

27. Durante il trasporto, assicurarsi che il dispositivo non possa cadere e causare danni personali e/o materiali.

28. Se il dispositivo non funziona più correttamente, se è stato versato del liquido sullo stesso o è caduto un oggetto al suo interno, o è stato danneggiato in qualsiasi altro modo, spegnerlo immediatamente e scollegare il cavo di alimentazione. Questo dispositivo dovrà essere riparato solo da esperti autorizzati.

29. Utilizzare solo un panno asciutto per pulire il dispositivo.

30. Rispettare tutte le normative esistenti in termini di smaltimento dei rifiuti applicabili nel vostro paese. Separare la plastica e la carta/cartone.

31. I sacchetti di plastica devono essere tenuti lontani dalla portata dei bambini.



### ATTENZIONE:

per ridurre il rischio di scosse elettriche, non rimuovere il coperchio (o il retro). All'interno del dispositivo non sono presenti parti su cui l'utente può effettuare operazioni di manutenzione. Rivolgersi a personale qualificato per effettuare le operazioni di manutenzione.



Il simbolo del fulmine con una freccia in punta all'interno di un triangolo equilatero avverte l'utente della presenza di "tensione pericolosa" senza isolamento all'interno della carcassa del prodotto che potrebbe essere di magnitudine sufficiente per rappresentare un rischio per le persone.



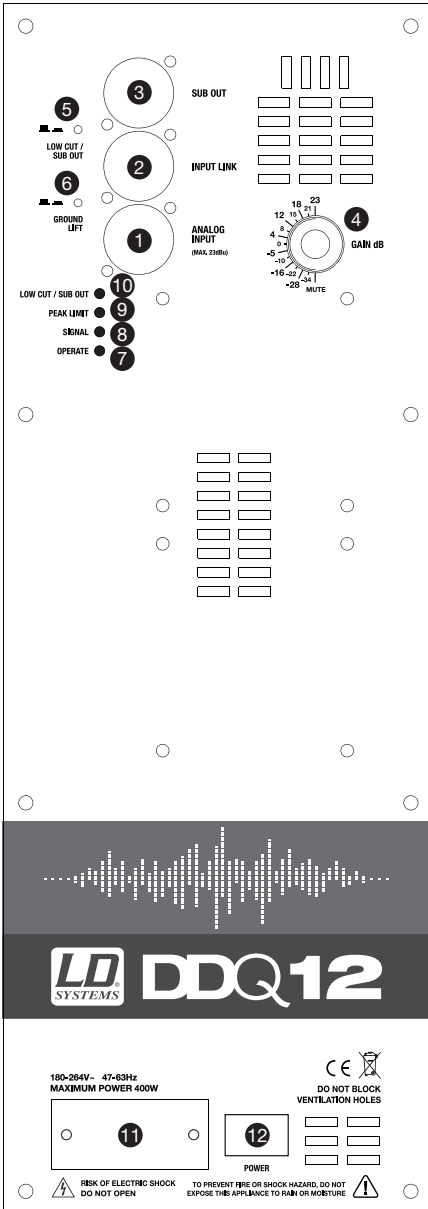
Il punto esclamativo all'interno di un triangolo equilatero avverte l'utente della presenza di importanti istruzioni operative e relative alla manutenzione nella documentazione che accompagna l'apparecchio.

### ATTENZIONE! VOLUME ALTO!

Questo prodotto è stato progettato per scopi professionali, pertanto l'uso commerciale dell'attrezzatura è soggetto alle norme e ai regolamenti dell'Istituto Nazionale per l'Assicurazione contro gli Infortuni sul Lavoro relativi al nostro settore industriale. Adam Hall, in qualità di produttore, è tenuto a fornire all'utente informazioni formali circa l'esistenza di possibili rischi sanitari.

Danno all'udito per esposizione prolungata a dei livelli di pressione sonora (SPL) eccessivi: il prodotto può raggiungere facilmente dei livelli di pressione sonora sufficienti a causare danni permanenti all'udito agli artisti, al personale della produzione e al pubblico. Bisogna adottare le precauzioni necessarie per evitare l'esposizione prolungata a una SPL superiore a 90 dB.

# LATO POSTERIORE / ELEMENTI DI COMANDO (IMMAGINE LDDDQ12):



## 1 ANALOG INPUT

Entrata di linea XLR simmetrica (max 23 dBu)

## 2 INPUT LINK

Uscita di linea XLR simmetrica

## 3 SUB OUT

Uscita di linea subwoofer XLR simmetrica

## 4 GAIN DB

Regolatore della sensibilità di entrata, ovvero il volume del modulo amplificatori. Il superamento del picco massimo in entrata (23dBu) viene segnalato dal lampeggiamento dei LED 7-10. In tal caso, ridurre il picco della sorgente di segnale per evitare un peggioramento della qualità del suono.

## 5 LOW CUT / SUB OUT

Questo commutatore attiva sia il filtro passa-alto del DDQ10/12 (100 Hz, 18 dB/ott., tipo Butterworth) sia il filtro passa-basso (100 Hz, 18 dB/ott., tipo Butterworth) dell'uscita SUB OUT. Se il commutatore non è premuto, il segnale SUB OUT non verrà influenzato da nessun filtro.

## 6 GROUND LIFT

Permette di evitare ritorni di terra non appena apparecchi con potenziale di terra diversi vengono collegati.

## 7 LED OPERATE

Si accende appena il sistema di altoparlanti viene attivato e collegato correttamente alla corrente di alimentazione.

## 8 LED SIGNAL

Si accende appena è presente un segnale audio sull'entrata di linea (> -30dBu).

## LATO POSTERIORE / ELEMENTI DI COMANDO (IMMAGINE LDDDQ12):

### 9 LED PEAK LIMIT

Si accende non appena l'altoparlante raggiunge la gamma limite. Un'accensione breve non è un segnale critico, poiché il limitatore audio interno esclude sovr modulazioni. L'accensione permanente dovrebbe essere evitata abbassando il picco di ingresso.

### 10 LED LOW CUT / SUB OUT

Si accende quando il relativo interruttore viene premuto.

### 11 ENTRATA DI ALIMENTAZIONE

(180 - 264 V AC, 47 - 63 Hz)

Collegamento tramite il cavo di alimentazione CEI incluso nella fornitura.

### 12 INTERRUTTORE DI ACCENSIONE

Per accendere e spegnere l'apparecchio.

ENGLISH

DEUTSCH

FRANCAIS

ESPAÑOL

POLSKI

ITALIANO

# RISPOSTAIN FREQUENZA:

ENGLISH

DEUTSCH

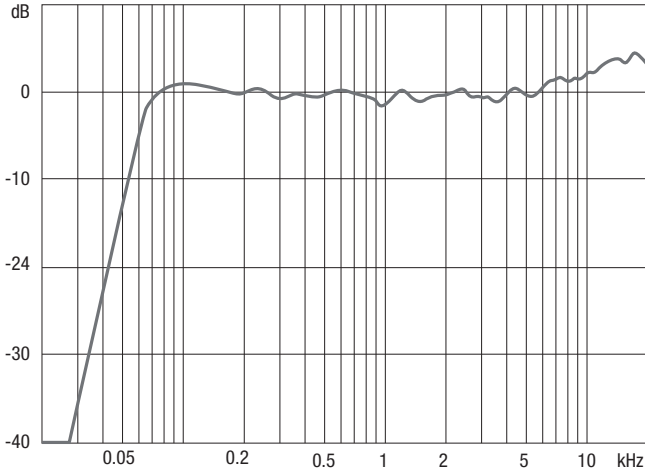
FRANCAIS

ESPAÑOL

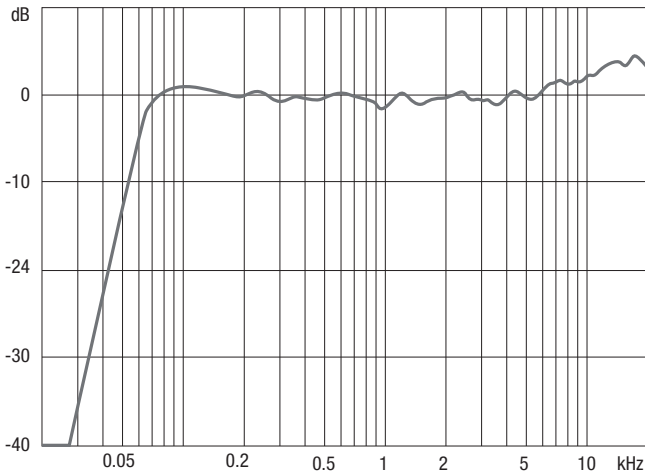
POLSKI

ITALIANO

**LDDDQ10**



**LDDDQ12**



# DISPERSIONE DEL SUONO:

ENGLISH

DEUTSCH

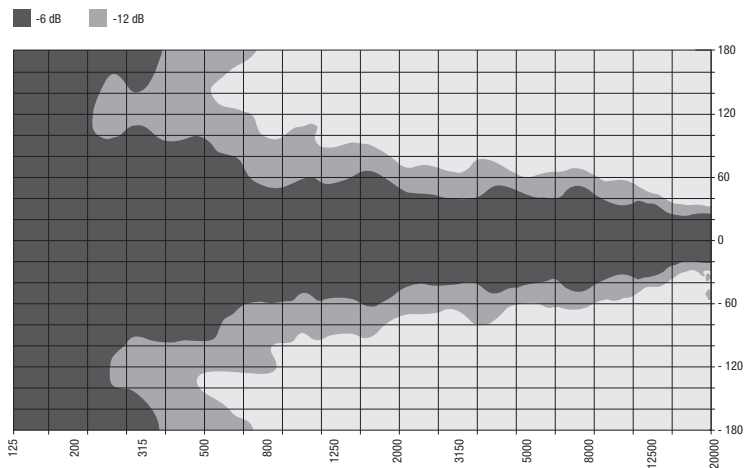
FRANCAIS

ESPAÑOL

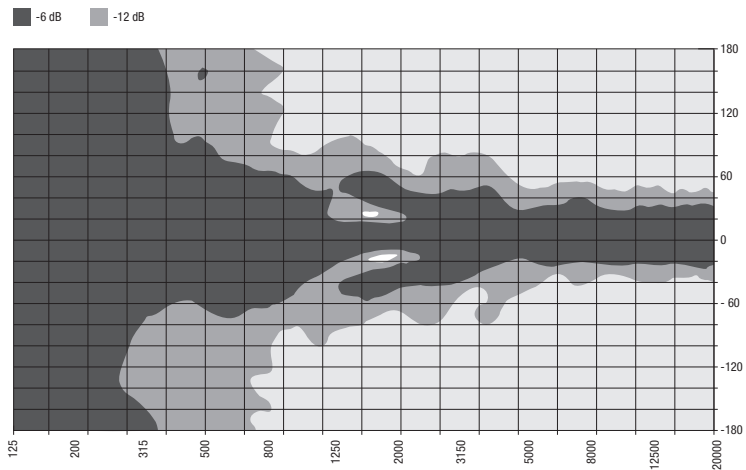
POLSKI

ITALIANO

Horizontal Isobars of: LD DDQ10



Vertical Isobars of: LD DDQ10



# DISPERSIONE DEL SUONO:

ENGLISH

DEUTSCH

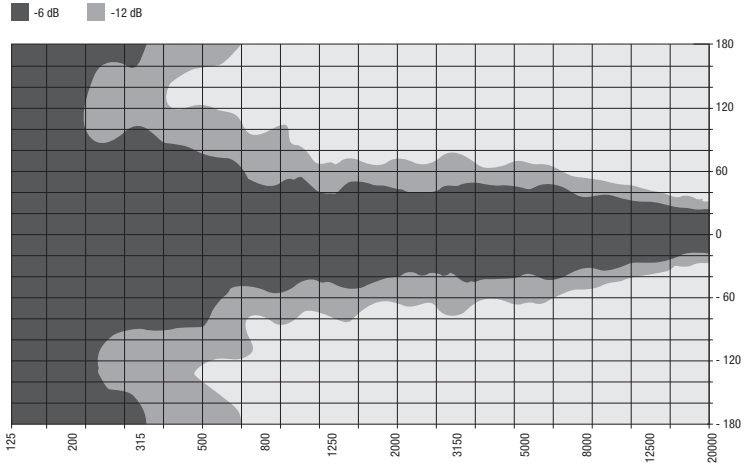
FRANCAIS

ESPAÑOL

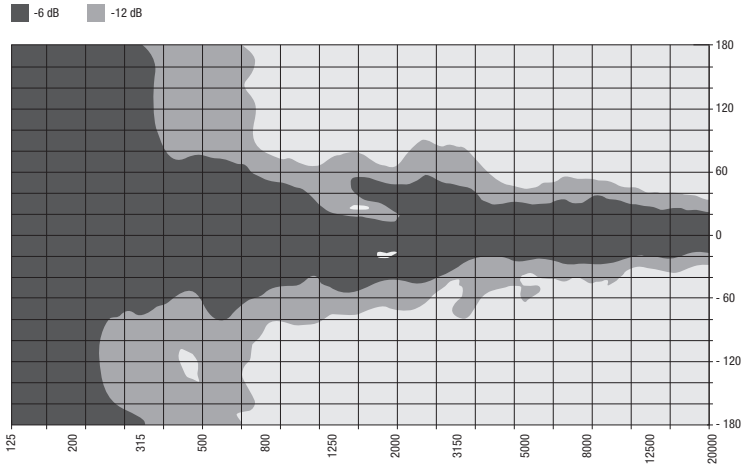
POLSKI

ITALIANO

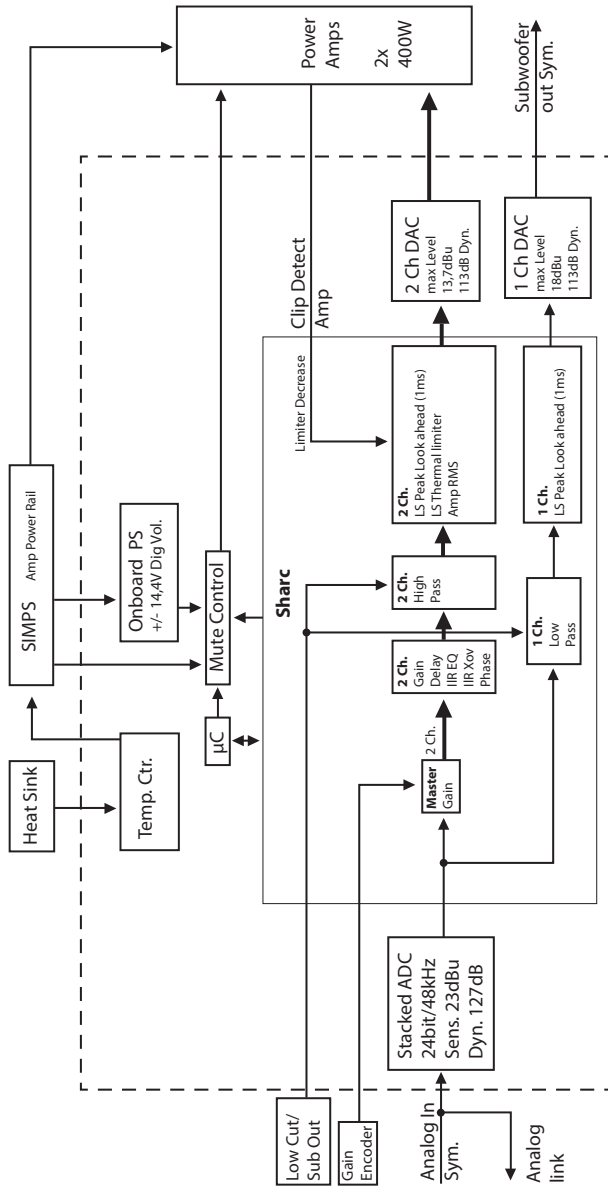
Horizontal Isobars of: LD DDQ12



Vertical Isobars of: LD DDQ12



# SCHEMA A BLOCCHI DSP:



ENGLISH

DEUTSCH

FRANCAIS

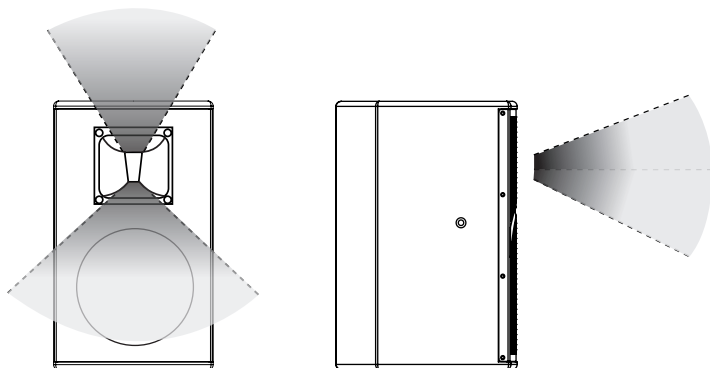
ESPAÑOL

POLSKI

ITALIANO

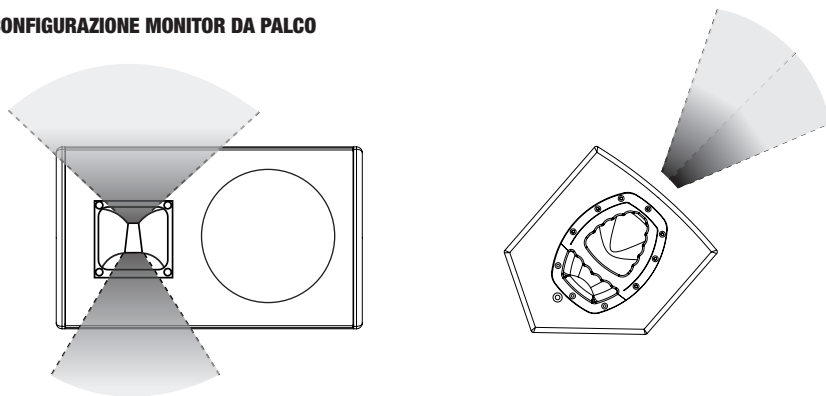
## CONFIGURAZIONE TROMBA:

### CONFIGURAZIONE FRONT OF HOUSE



Per l'impiego Front of House, il lato più stretto dell'apertura della tromba delle alte frequenze deve essere rivolto verso il basso.

### CONFIGURAZIONE MONITOR DA PALCO



Per il funzionamento come monitor da palco, è possibile collocare gli LDDDQ10 ed LDDDQ12 sul fianco (posizionamento orizzontale). Se necessario, è possibile ruotare la tromba dei tweeter di 90° per ottenere un angolo di dispersione più elevato nella gamma tweeter. A tale scopo, spegnere prima gli altoparlanti attivi e staccare la corrente. Quindi rimuovere la griglia frontale, svitare completamente le viti sulla flangia di fissaggio della tromba. A questo punto è possibile ruotare la tromba di 90° e riavvitarla (non ruotarla mai per più di 90°). Se la tromba dei tweeter deve essere riportata in posizione di partenza per un posizionamento verticale, occorre assolutamente procedere ruotandola nella direzione opposta. Se la tromba dei tweeter viene ruotata più volte nella stessa direzione, si può danneggiare la linea di alimentazione dell'impianto tweeter o del relativo terminale.



## INSTALLAZIONE E MONTAGGIO:

ENGLISH

DEUTSCH

FRANCAIS

ESPAÑOL

POLSKI

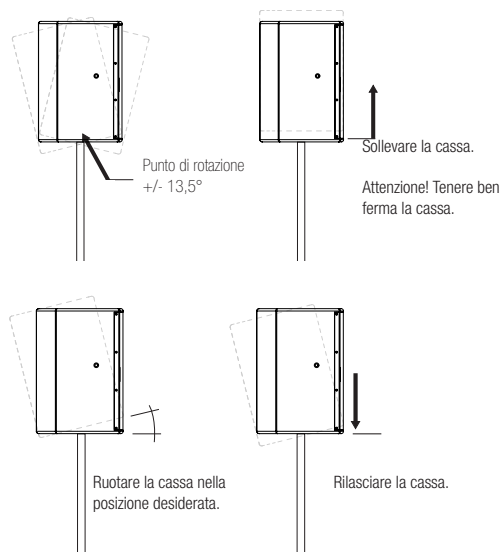
ITALIANO

### REGOLAZIONE SM707 FLANGIA DELLO STATIVO CASSA

La flangia dello stativo cassa SM707, integrata e brevettata, può essere regolata in modo estremamente flessibile.

La SM707 permette angoli di inclinazione tra + e - 13,5° ad intervalli di 4,5°.

Per sbloccare il meccanismo di blocco, sollevare leggermente la cassa (di circa 0,5 cm); quindi ruotare la cassa nella posizione desiderata e lasciare che si riabbassi.



### FUNZIONAMENTO IN SOLLEVAMENTO:

Gli altoparlanti sono predisposti per l'uso in sollevamento con i relativi dispositivi di sollevamento.

Le casse della serie LD DDQ dispongono infatti di filettature M8 per l'impiego di occhielli a vite M8, che permettono di agganciarle a catene tramite moschettoni oppure di appenderli con cavetti metallici. Impiegare esclusivamente dispositivi di sollevamento certificati e non danneggiati (occhielli di sollevamento, occhielli a vite, moschettoni, catene, cavetti metallici ecc.). Osservare anche i requisiti per l'impiego in sollevamento in presenza di persone nella zona sottostante previsti dalle norme vigenti locali.

In alternativa agli occhielli di sollevamento, è possibile utilizzare la staffa orientabile LDDQ10SB e LDDQ12SB, sviluppata specificatamente per la serie LD DDQ per l'uso in sollevamento. I manuali di montaggio si trovano nelle 2 pagine seguenti del presente manuale d'uso. Il fissaggio sicuro della staffa orientabile a sistemi di traverse avviene, ad esempio, tramite il gancio opzionale Adam Hall "Self-Lock" SCP838.

### MANUTENZIONE:

Il miglior metodo per pulire la superficie del diffusore è utilizzando una spazzola asciutta di durezza medio-alta (pennello tipo carta da parati). Utilizzare solo un panno asciutto per pulire il pannello di controllo.

STAFFA ORIENTABILE LDDDQ10SB:

ENGLISH

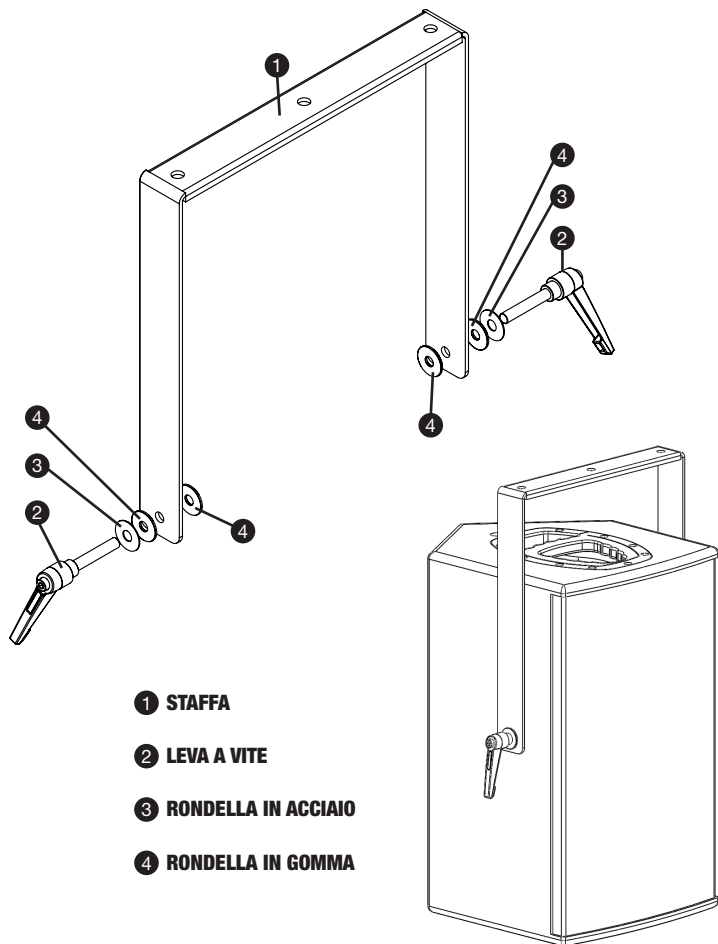
DEUTSCH

FRANCAIS

ESPAÑOL

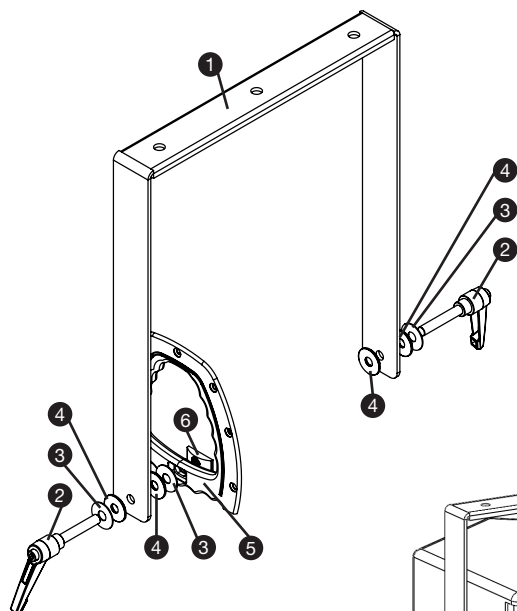
POLSKI

ITALIANO

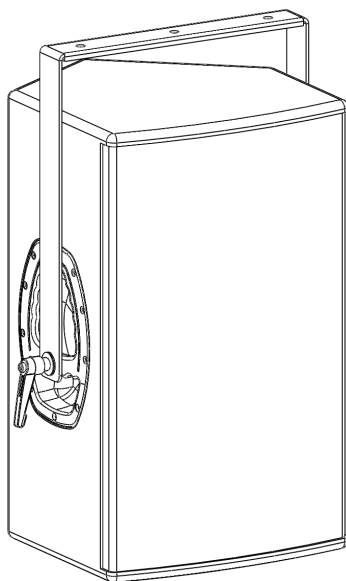


- ① STAFFA
- ② LEVA A VITE
- ③ RONDELLA IN ACCIAIO
- ④ RONDELLA IN GOMMA

## STAFFA ORIENTABILE LDDDQ12SB:



- ❶ STAFFA
- ❷ LEVA A VITE
- ❸ RONDELLA IN ACCIAIO
- ❹ RONDELLA IN GOMMA
- ❺ TELAIO MANIGLIA
- ❻ SEMIDADO



ENGLISH

DEUTSCH

FRANCAIS

ESPAÑOL

POLSKI

ITALIANO

## ACCESSORI:

ENGLISH

### LDDDQ10B / LDDDQ12B

Involucro protettivo per LDDDQ10 / LDDDQ12



DEUTSCH

### SMBS5

Piastra per montaggio a parete



FRANÇAIS

### LDDDQ10WB / LDDDQ12WB

Staffa per montaggio a parete per LDDDQ10 / LDDDQ12



ESPAÑOL

### LDDDQ10SB / LDDDQ12SB

Staffa orientabile per LDDDQ10 / LDDDQ12



POLSKI

### SPS023S / SPS023

Stativi per casse



ITALIANO

## SPECIFICHE:

ENGLISH

DEUTSCH

FRANCAIS

ESPAÑOL

POLSKI

ITALIANO

Tipo di prodotto:		Altoparlante PA, controllato con DSP	Altoparlante PA, controllato con DSP
Tipo:		Attivo	Attivo
Dimensioni woofer/altoparlanti toni medi:	"	10	12
Dimensioni woofer/altoparlanti toni medi:	mm	254	305
Magnete woofer/altoparlanti toni medi:		neodimio	neodimio
Marca woofer/altoparlanti toni medi:		Faital Pro (10PR300, 4 Ohm)	Faital Pro (12PR300, 4 Ohm)
Bobina woofer/altoparlanti toni medi:	"	2,5	2,5
Bobina woofer/altoparlanti toni medi:	mm	63,5	63,5
Tromba:		asimmetrica	asimmetrica
Dimensioni tweeter:	"	1	1
Dimensioni tweeter:	mm	25,4	25,4
Magnete tweeter:		Ceramica	Ceramica
Marca tweeter:		BMS 4524	BMS 4524
Bobina tweeter:	"	1	1
Bobina tweeter:	mm	25,4	25,4
Angolo di dispersione (h x V):	°	80 x 60 asimmetrico	80 x 50 asimmetrico
Convertitori AD/DA:		24 bit / 48 kHz	24 bit / 48 kHz
DSP:		Sharc	Sharc
Amplificatore:		2 x Hypex UCD400 Classe D	2 x Hypex UCD400 Classe D
Potenza woofer (RMS):	W	400	400
Potenza tweeter (RMS):	W	400	400
Risposta in frequenza:	Hz	59 - 20.000	54 - 20.000
Frequenza di taglio:	Hz	1.500	1.500
SPL max (continuo):	dB	119,5 @ 100 - 10.000Hz programma continuo	121 @ 100 - 10.000Hz programma continuo
SPL max (picco):	dB	132*	134*
Protezioni:		Limitatore "Look Ahead" basato su DSP, limitatore altoparlante RMS, limitatore alimentatore RMS, sovratensione, sovracorrente	Limitatore "Look Ahead" basato su DSP, limitatore altoparlante RMS, limitatore alimentatore RMS, sovratensione, sovracorrente
Impedenza di ingresso:	kOhm	10	10
Sensibilità di ingresso:	dBu	max. 23	max. 23

## SPECIFICHE:

Dispositivi di comando:		Gain dB, Low-Cut / Sub Out, Ground Lift, interruttore di accensione	Gain dB, Low-Cut / Sub Out, Ground Lift, interruttore di accensione
Indicatori:		Operate, Signal, Peak Limit, Low-Cut / Sub Out	Operate, Signal, Peak Limit, Low-Cut / Sub Out
Entrate di linea:		1	1
Collegamento entrata di linea:		XLR	XLR
Uscite di linea:		Input Link, Sub Out	Input Link, Sub Out
Collegamenti uscita di linea:		XLR	XLR
Tensione di esercizio:		180 - 264 V AC, 47 - 63 Hz	180 - 264 V AC, 47 - 63 Hz
Materiale cassa:		Compensato di betulla da 15 mm	Compensato di betulla da 15 mm
Superficie cassa:		verniciatura di protezione	verniciatura di protezione
Design cassa:		Bass reflex	Bass reflex
Angolazione monitor:	°	50	50
Larghezza:	mm	315	360
Altezza:	mm	530	600
Profondità:	mm	370	378
Peso:	kg	15,5	17
Altre caratteristiche:		Maniglie evolutive LD Systems, flangia dello stativo da 36 mm, orientabile in verticale (SM707), predisposto per staffa orientabile, filtro high-pass attivabile (100 Hz, Butterworth, 18 dB)	Maniglie evolutive LD Systems, flangia dello stativo da 36 mm, orientabile in verticale (SM707), predisposto per staffa orientabile, filtro high-pass attivabile (100 Hz, Butterworth, 18 dB)
		*Picco max. SPL a breve termine a 1m con rumore flicker	*Picco max. SPL a breve termine a 1m con rumore flicker

## DICHIARAZIONI DEL PRODUTTORE:

### GARANZIA DEL PRODUTTORE

Le seguenti condizioni di garanzia si applicano ai prodotti dei marchi Adam Hall, LD Systems, Defender, Palmer, Cameo e Eminence.

La presente dichiarazione di garanzia non influisce sui diritti di garanzia del produttore previsti dalla legge, ma estende ulteriormente tali diritti anche nei confronti della ditta Adam Hall.

Adam Hall garantisce per un periodo di due o tre anni dalla data di acquisto che questo prodotto Adam Hall acquistato direttamente dall'azienda o attraverso un rivenditore autorizzato, se utilizzato correttamente, è privo di difetti di materiale e manodopera.

Il periodo di garanzia ha inizio dalla data di acquisto del prodotto che, nel caso in cui si voglia usufruire della garanzia, va adeguatamente documentata tramite la presentazione dello scontrino o della bolla di consegna con la data di acquisto. Qualora, entro il periodo di garanzia, i prodotti di una delle marche sovraindicate necessitino di interventi di riparazione, l'utente ha diritto ad usufruire del servizio alle condizioni indicate nel presente documento.

Questa garanzia del produttore è valida esclusivamente per il primo proprietario del prodotto Adam Hall e non si può trasferire ad un eventuale proprietario successivo. Entro il periodo di garanzia, Adam Hall si fa carico della riparazione o della sostituzione dei componenti o degli apparecchi difettosi. Tutti i componenti o i prodotti sostituiti usufruendo della garanzia del produttore diventano di proprietà di Adam Hall.

Nel caso improbabile che il prodotto acquistato presenti ripetuti malfunzionamenti, la ditta Adam Hall è autorizzata a sostituire a propria discrezione il prodotto difettoso con un altro, a patto che il nuovo prodotto sia di uguale valore rispetto a quello vecchio per quanto riguarda le caratteristiche hardware.

Adam Hall non garantisce che il prodotto sia perfettamente funzionante e/o senza difetti. Inoltre, Adam Hall non risponde di danni derivanti dall'inosservanza delle indicazioni riportate nelle istruzioni d'uso fornite con il presente prodotto e in altra documentazione.

La garanzia del produttore non copre:

- parti soggette ad usura (es. accumulatori),
- apparecchi dai quali è stato rimosso il numero di serie o il cui numero di serie risulta illeggibile a causa di danneggiamenti causati dall'utente,
- danni derivanti da uso errato o improprio o altre cause esterne,
- danni ad apparecchi che non sono stati utilizzati secondo i parametri di funzionamento (parametri indicati nella documentazione contenuta nella confezione),
- danni derivanti dall'utilizzo di componenti non prodotti o distribuiti da Adam Hall,
- danni derivanti da interventi, modifiche o riparazioni non effettuate da Adam Hall.

Le presenti condizioni costituiscono l'accordo di garanzia completo ed esclusivo tra l'acquirente e la Adam Hall per il prodotto Adam Hall acquistato.

ENGLISH

DEUTSCH

FRANCAIS

ESPAÑOL

POLSKI

ITALIANO

## DICHIARAZIONI DEL PRODUTTORE:

### LIMITAZIONI DI RESPONSABILITÀ

Nel caso in cui, durante il periodo di garanzia, i prodotti hardware Adam Hall presentino difetti di materiale o di lavorazione (in base alla dichiarazione di garanzia precedente), il solo ed unico diritto del cliente previsto dalla presente garanzia è quello di riparazione o sostituzione dell'apparecchio. La massima responsabilità di Adam Hall è limitata, come espressamente indicato nella garanzia, al prezzo d'acquisto o ai costi per la riparazione o la sostituzione (e in questo caso per l'importo minore) dei componenti hardware difettosi in caso di uso corretto degli stessi.

Adam Hall non è responsabile per eventuali danni provocati dal prodotto o dal malfunzionamento dello stesso, compresi mancati guadagni, perdite e danni speciali indiretti o conseguenti. Inoltre Adam Hall è indenne da richieste avanzate da terzi o dal cliente in nome di terzi.

La presente limitazione di responsabilità vale indipendentemente dal fatto che i danni siano oggetto di procedimenti giudiziari o che siano oggetto di risarcimento danni ai sensi della presente garanzia o per atti illeciti (incluse negligenza e responsabilità oggettiva) o per pretese contrattuali o di altra natura, e non può essere né annullata né modificata. La presente limitazione di responsabilità è valida anche nel caso in cui l'utente abbia avvisato Adam Hall o un rappresentante autorizzato di possibili danni. Tale limitazione non è però valida in caso di richieste per risarcimento danni in relazione a danni a persone.

La garanzia del produttore permette di godere di determinati diritti. A seconda della giurisdizione competente (dello stato o della regione in cui si risiede) è possibile ottenere ulteriori diritti. Si consiglia quindi di consultare le leggi applicabili per determinare l'insieme dei diritti di cui si può godere.

### RICORSO ALLA GARANZIA

Per usufruire della garanzia rivolgersi direttamente a Adam Hall o al rivenditore autorizzato Adam Hall, dal quale è stato acquistato il prodotto.

### CE DICHIARAZIONE DI CONFORMITÀ

Questi dispositivi soddisfano i requisiti essenziali e le altre disposizioni pertinenti delle direttive 2004/108/EC (EMC) e 2006/95/EC (LVD). Per ulteriori informazioni, vedere [www.adamhall.com](http://www.adamhall.com).

### CORRETTO SMALTIMENTO DEL PRODOTTO ("RIFIUTI ELETTRONICI")



(Valido nei paesi dell'Unione europea e in altri paesi con sistema di smaltimento differenziato dei rifiuti)

Questo simbolo sul prodotto o sui documenti relativi ad esso sta ad indicare che l'apparecchio alla fine del suo ciclo di vita non deve essere smaltito insieme ai normali rifiuti domestici, in modo tale da evitare eventuali danni ambientali e alle persone causati da uno smaltimento incontrollato dei rifiuti. Si prega di smaltire questo prodotto separatamente da altri rifiuti e promuovere così lo sviluppo di cicli economici sostenibili con il riciclaggio.

I privati cittadini possono ricevere informazioni sulle possibilità di smaltimento sostenibile presso il venditore dal quale è stato acquistato il prodotto o presso le autorità regionali competenti. I professionisti devono invece contattare il loro fornitore di fiducia e controllare le eventuali condizioni contrattuali per lo smaltimento degli apparecchi. Questo prodotto non deve essere smaltito assieme ad altri rifiuti industriali.



## DICHIARAZIONI DEL PRODUTTORE:

ENGLISH

DEUTSCH

FRANCAIS

ESPAÑOL

POLSKI

ITALIANO

### DICHIARAZIONE RAEE

Il prodotto LD Systems acquistato è stato realizzato tramite l'utilizzo di materiali e componenti di qualità che possono essere riciclati o riutilizzati. Questo simbolo indica che gli apparecchi elettronici non vanno smaltiti assieme ai normali rifiuti domestici indifferenziati. Si prega di smaltire questo apparecchio a norma di legge presso un punto di raccolta per rifiuti elettronici contribuendo così alla salvaguardia dell'ambiente.

### BATTERIE E PILE

Le batterie incluse nella confezione possono essere riutilizzate. Non gettare quindi le batterie nei normali rifiuti domestici, ma in contenitori appositi per la loro raccolta. Aiutate a mantenere pulito l'ambiente.

### ECOLOGIA E RISPARMIO ENERGETICO:

Il risparmio dell'energia elettrica aiuta a proteggere l'ambiente. Spegnerne tutti i dispositivi elettrici quando non vengono utilizzati. Per evitare il consumo di energia, scollegare tutti i dispositivi elettrici dalla corrente quando non vengono utilizzati.

Adam Hall GmbH, tutti i diritti riservati. I dati tecnici e le caratteristiche del prodotto possono essere soggetti a modifiche. È vietata la copia, la traduzione e qualsiasi altra riproduzione delle presenti istruzioni d'uso o di parte di esse senza previa autorizzazione.



[WWW.LD-SYSTEMS.COM](http://WWW.LD-SYSTEMS.COM)

**Adam Hall GmbH** | Daimlerstrasse 9 | 61267 Neu-Anspach | Germany  
Tel. +49(0)6081/9419-0 | Fax +49(0)6081/9419-1000  
web : [www.adamhall.com](http://www.adamhall.com) | e-mail : [mail@adamhall.com](mailto:mail@adamhall.com)

