

Operating Instructions

RoadWarrior Portable Projection Screen by Draper

⚠ Caution

- ① Read instructions through completely before proceeding, and save for future reference.
- ② Nothing should be fastened to screen case or viewing surface.
- ③ Do not write on viewing surface.
- ④ This screen is for indoor use only.
- ⑤ Screen must rest on a flat surface. Do not use on slanted or uneven floors.
- ⑥ Do not use solvents or abrasives for cleaning.
- ⑦ Beware of pinching hands and fingers.

NOTE: Screen has been thoroughly inspected and tested at factory and found to be operating properly prior to shipment.

Setting Up the Screen

- ① Rotate legs (attached to bottom) until they are perpendicular to screen case (see Fig. 1).

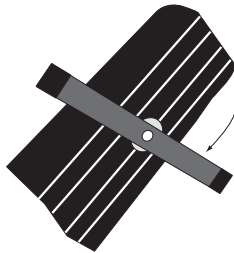


Figure 1

- ② Rotate carrying strap so it does not interfere with opening case. You can also remove the carrying strap by sliding down then off (see Fig. 2).

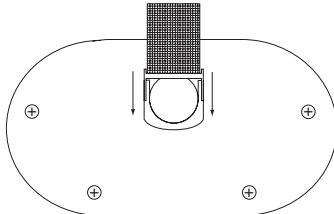


Figure 2 (side view)

- ③ Unsnap and open screen case.
- ④ Grasp handle marked "Lift Here" (see Fig. 3), and slowly raise screen to desired height. Keep screen dowel level while raising.

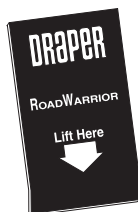
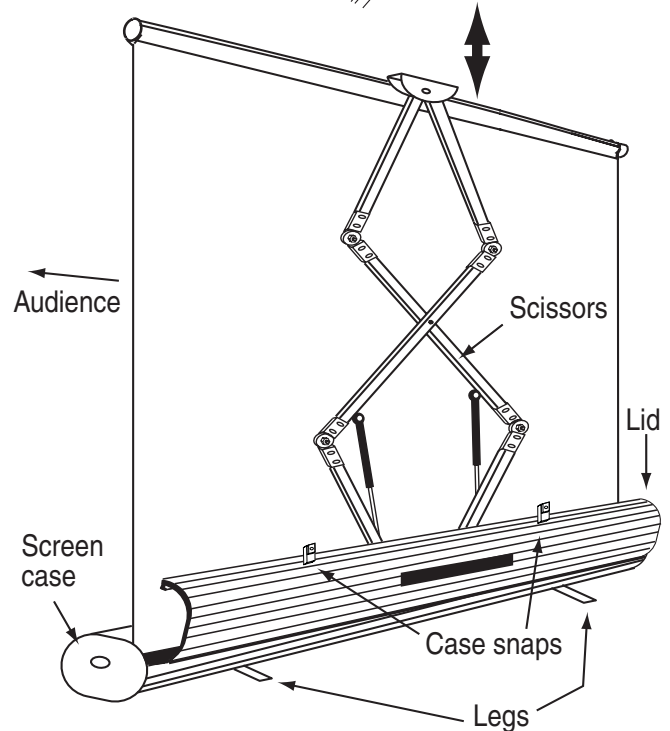
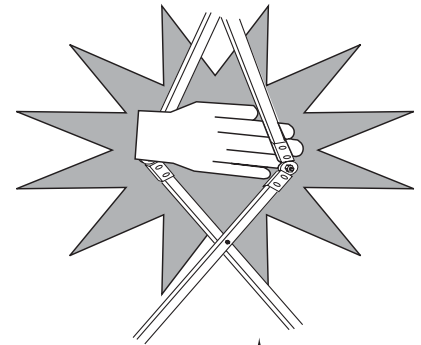


Figure 3

Collapsing the Screen

- ① Generally reverse procedures used for screen setup.

Caution: Avoid "pinch points" while lowering screen.



Troubleshooting

Screen will not fully extend:

Make sure the screen surface is not "catching" on anything. Make sure case lid is fully open.

Screen will not close:

Check roller and scissors to make sure nothing is interfering with their operation.

Screen tips forward or backward:

Make sure legs are perpendicular to screen case. If they are, screen may be located on too severe an incline.

Snaps will not open:

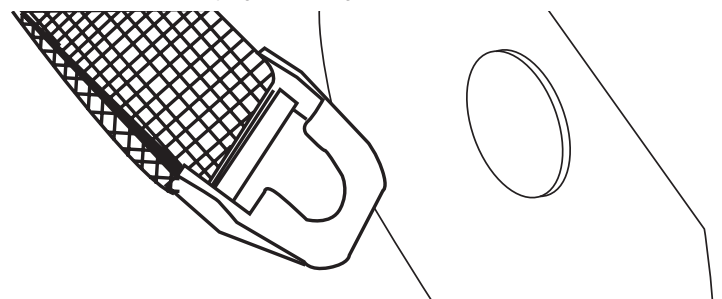
Press gently down on screen case just above each snap while opening.

Snaps will not close:

Press gently down on screen case just above each snap while closing.

Carrying strap will not rotate out of the way so case will open:

Loosen or remove carrying strap altogether (see below).



DRAPER®

411 S. Pearl St., Spiceland, IN 47385 USA ■ 765-987-7999
www.draperinc.com ■ fax 765-987-7142

Copyright © 2010 Draper Inc. Form RoadWarrior_Inst10-R Printed in U.S.A.