

HORUS



HORUS FULL COLOUR



HORUS RGBA



HORUS WHITE + AMBER

User's Manual rel 1.0 **GB**

D.T.S. Illuminazione s.r.l. - ITALY
<http://www.dts-lighting.it>



The Lighting Company

Made in Italy

Le informazioni contenute in questo documento sono state attentamente redatte e controllate. Tuttavia non è assunta alcuna responsabilità per eventuali inesattezze. Tutti i diritti sono riservati e questo documento non può essere copiato, fotocopiato, riprodotto per intero o in parte senza previo consenso scritto della D.T.S .

D.T.S si riserva il diritto di apportare senza preavviso cambiamenti e modifiche estetiche , funzionali o di design a ciascun proprio prodotto. D.T.S non assume alcuna responsabilità sull'uso o sull'applicazione dei prodotti o dei circuiti descritti.

The information contained in this publication has been carefully prepared and checked. However, no responsibility will be taken for any errors. All rights are reserved and this document cannot be copied, photocopied or reproduced, in part or completely, without prior written consent from D.T.S. D.T.S. reserves the right to make any aesthetic, functional or design modifications to any of its products without prior notice. D.T.S. assumes no responsibility for the use or application of the products or circuits described herein.

Les informations contenues dans le présent manuel ont été rédigées et contrôlées avec le plus grand soin. Nous déclinons toutefois toute responsabilité en cas d'éventuelles inexactitudes. Tous droits réservés. Ce document ne peut être copié, photocopié ou reproduit, dans sa totalité ou partiellement, sans le consentement préalable de D.T.S.

D.T.S. se réserve le droit d'apporter toutes modifications et améliorations esthétiques, fonctionnelles ou de design, sans préavis, à chacun de ses produits. D.T.S. décline toute responsabilité sur l'utilisation ou sur l'application des produits ou des circuits décrits.

Las informaciones contenidas en este documento han sido cuidadosamente redactadas y controladas. Con todo, no se asume ninguna responsabilidad por eventuales inexactitudes. Todos los derechos han sido reservados y este documento no puede ser copiado, fotocopiado o reproducido, total o parcialmente, sin previa autorización escrita de D.T.S.

D.T.S. se reserva el derecho a aportar sin previo aviso cambios y modificaciones de carácter estético, funcional o de diseño a cada producto suyo. D.T.S. no se asume responsabilidad de ningún tipo sobre la utilización o sobre la aplicación de los productos o de los circuitos descritos.

DESCRIPTION

HORUS is a compact LED downlight designed for inset ceiling installation.

HORUS features a light body with tilting movement and it's ideal for lighting and colouring objects and surfaces with a homogeneous projection in different application, such as clubs, restaurants, public and commercial spaces, houses of worship, etc.

HORUS is available with distinct types of LEDs: FULL COLOUR, RGB, RGBA, WHITE+AMBER, WHITE 3200°K, WHITE 4500°K, WHITE 6000°K.

LED technology

HORUS FULL COLOUR: 15 x 3W Full Colour LEDs;

HORUS RGBA 54: 54 x 1W P4 LEDs (12 x Red, 15 x Green, 15 x Blue, 12 x Amber)

HORUS RGBA 48: 48 x 1W P4 LEDs (12 x Red, 12 x Green, 12 x Blue, 12 x Amber)

HORUS RGB: 36 x 1W P4 LEDs (12 x Red, 12 x Green, 12 x Blue)

HORUS WHITE+AMBER 36: 36 x 1W P4 LEDs (24 x White, 12 x Amber)

HORUS WHITE+AMBER 54: 54 x 1W P4 LEDs (42 x White, 12 x Amber)

HORUS WHITE 3200°K (48 x 3200°K White LEDs)

HORUS WHITE 4500°K (48 x 4500°K White LEDs)

HORUS WHITE 6000°K (48 x 6000°K White LEDs)

Linear colour temperature: 2800°K - 6500°K

No infrared emission; no ultraviolet emission

LEDs average lifespan: 100.000 hours

Optical units

3 lenses sets available (Spot, Medium flood, Wide flood)

Control

Via any DMX lighting console (Z1 PLUS or Z8 Power supply / LED controller needed)

Movement

FIXED or ADJUSTABLE (Movement on horizontal axis + / - 15°)

Protection

IP20

Construction

HORUS is made on aluminium

Power supply

Dedicated Z1 PLUS / Z8 power supplies / LED controllers

Z-LIGHT range on-off power supplies

Power consumption

65W (HORUS FULL COLOUR, HORUS WHITE 48 LEDs)

80W (HORUS RGBA 54 LEDs, HORUS WHITE + AMBER 54 LEDs)

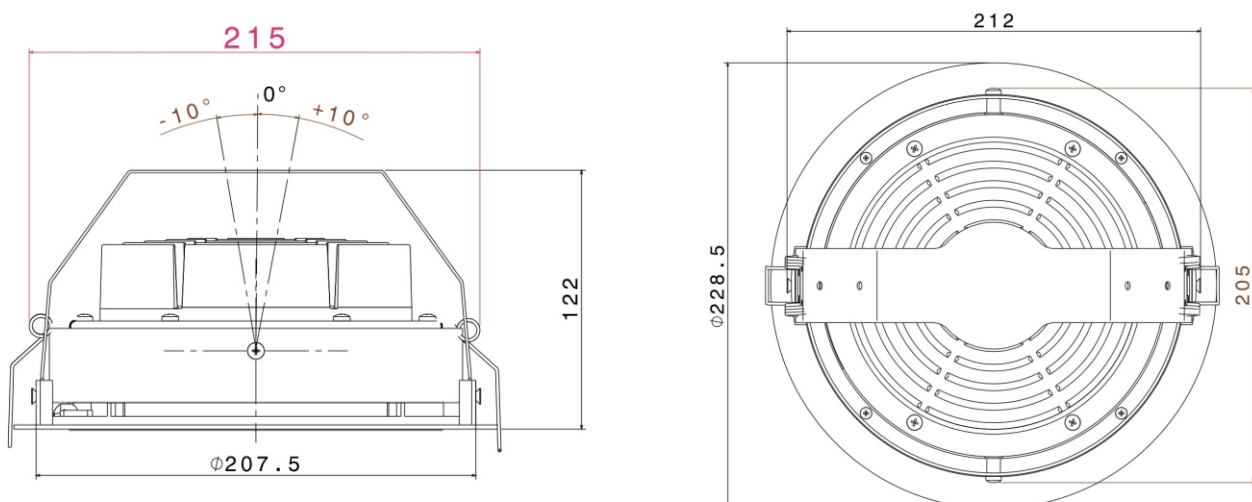
Connections

8 poles plug-in screw terminals + cable length 1 m (HORUS all models)

Weight

2,8 Kg

DIMENSIONS



ACCESSORIES

- Lenses set Spot (HORUS FULL COLOUR) (Code 03.LK.066)
- Lenses set Medium flood (HORUS FULL COLOUR) (Code 03.LK.067)
- Lenses set Wide flood (HORUS FULL COLOUR) (Code 03.LK.068)
- Lenses set Spot (HORUS RGBA / WHITE+AMBER) (Code 03.LK.024)
- Lenses set Medium flood (HORUS RGBA / WHITE+AMBER) (Code 03.LK.025)
- Lenses set Wide flood (HORUS RGBA / WHITE+AMBER) (Code 03.LK.026)
- Z1 PLUS IP20 Power supply / LED controller (Code 03.LA.009.P)
- Z8 IP20 Power supply / LED controller plug-in screw terminals outputs (Code 03.LA.080.V2)
- Z-LIGHT range on-off power supplies also available

IMPORTANT SAFETY INFORMATION

Fire prevention:

Never locate the fixture on any flammable surface.
Minimum distance from flammable materials: 10 cm

Safety:

The external surface of the unit may exceed 50°C, never handle the unit until at least 5 minutes have elapsed since the unit was turned off.

Never install the unit in an enclosed area lacking sufficient air flow.

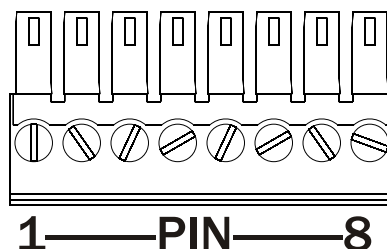
The ambient temperature should not exceed 40°C and should not be lower than -10°C.

WIRING DIAGRAMS

HORUS is provided with 8 poles plug-in screw terminals + cable length 1 m (HORUS all models)

- Pin 1 = RED +
- Pin 2 = RED -
- Pin 3 = GREEN +
- Pin 4 = GREEN -
- Pin 5 = BLUE +
- Pin 6 = BLUE -
- Pin 7 = AMBER +
- Pin 8 = AMBER -

8 poles plug-in screw terminals on board (HORUS all models)



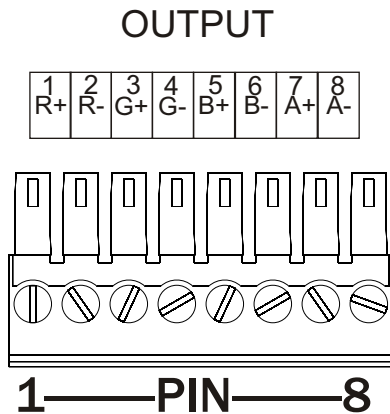
The maximum distance between Z1 PLUS IP20 Power supply / LED controller and the HORUS LED PROJECTOR (all models) should not exceed 100 meters.

The maximum distance between Z8 IP20 Power supply / LED controller and the HORUS WHITE+AMBER, HORUS RGBA should not exceed 100 meters.

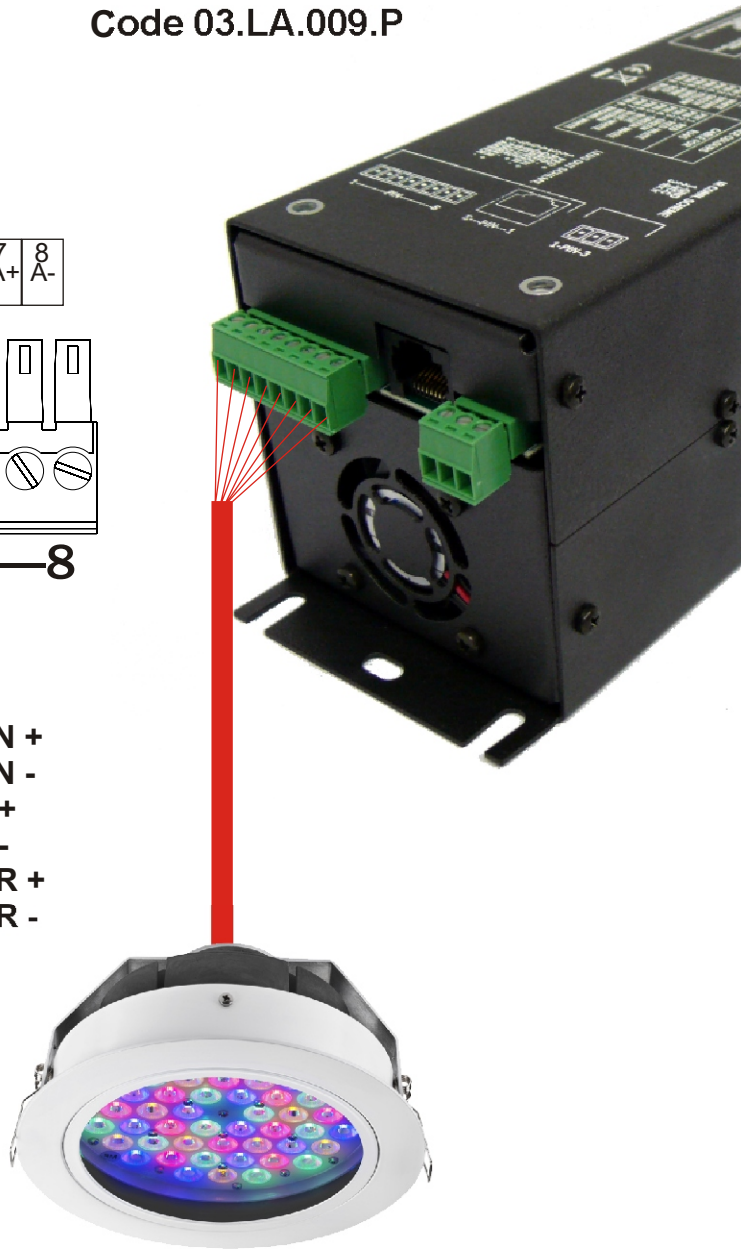
The maximum distance between Z8 IP20 Power supply / LED controller and the HORUS FULL COLOUR should not exceed 50 meters.

WIRING CONNECTIONS

Z1 PLUS IP20 LED Controller Code 03.LA.009.P



- Pin 1 = RED +
- Pin 2 = RED -
- Pin 3 = GREEN +
- Pin 4 = GREEN -
- Pin 5 = BLUE +
- Pin 6 = BLUE -
- Pin 7 = AMBER +
- Pin 8 = AMBER -



IMPORTANT:

The maximum number of HORUS LED PROJECTOR connectable to the Z1 PLUS IP20 Power supply / LED controller is 1 piece.

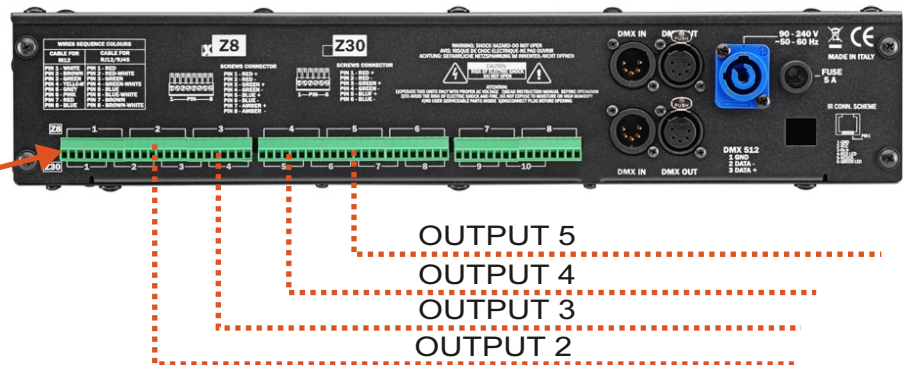
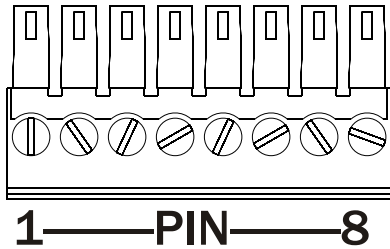
The maximum distance between Z1 PLUS IP20 Power supply / LED controller and the HORUS LED PROJECTOR (all models) should not exceed 100 meters.

Never plug in a HORUS LED PROJECTOR when the power supply is turned on.

WIRING CONNECTIONS

Z8 IP20 LED Controller (Plug-in screw terminals outputs) Code 03.LA.080.V2

8 poles plug-in screw terminals on board (HORUS all models)



OUTPUT

1	2	3	4	5	6	7	8
R+	R-	G+	G-	B+	B-	A+	A-



OUTPUT

1	2	3	4	5	6	7	8
R+	R-	G+	G-	B+	B-	A+	A-



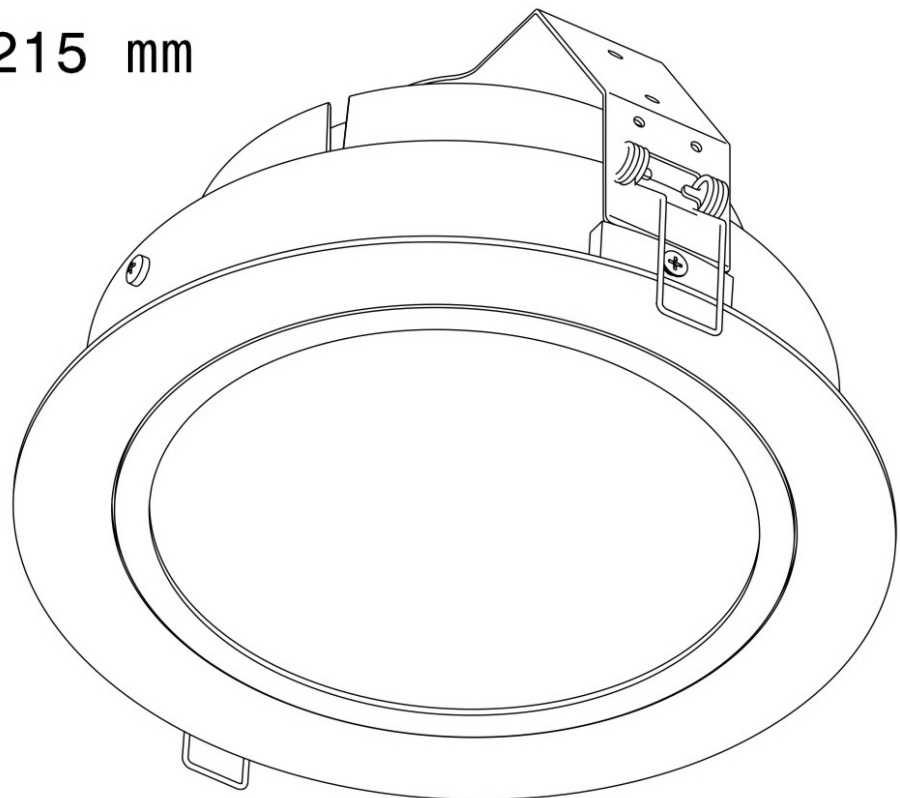
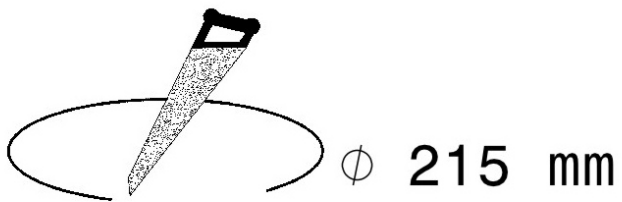
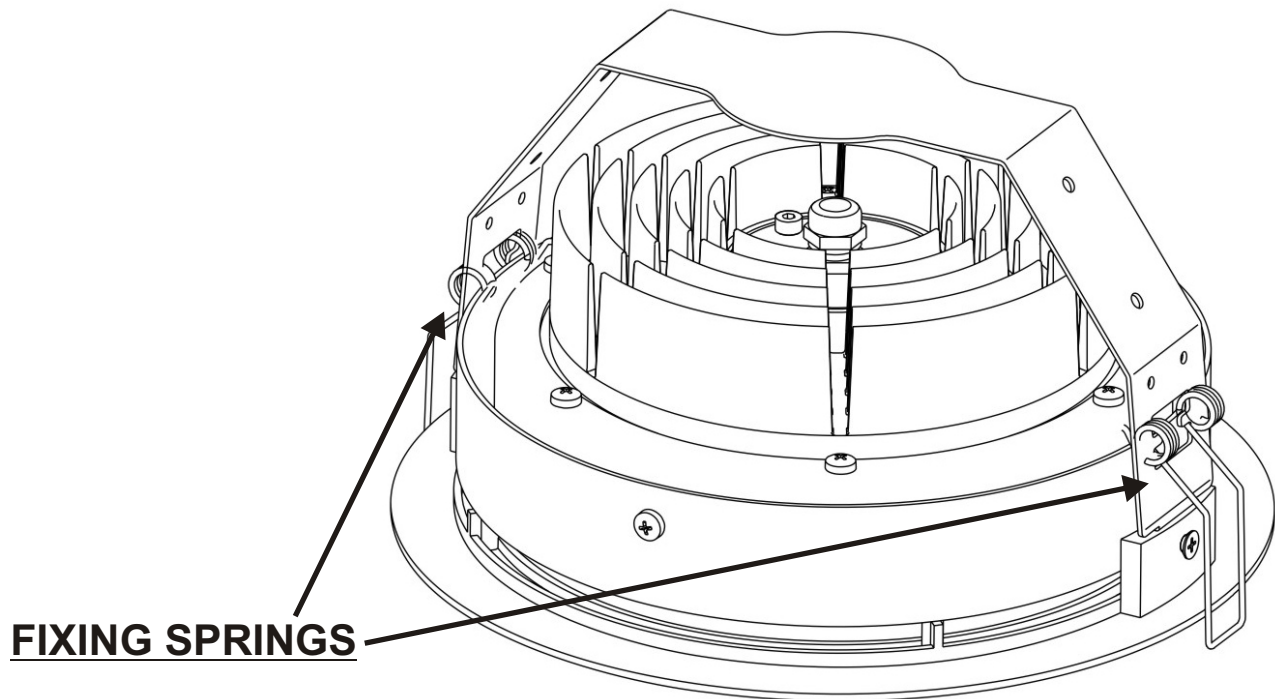
IMPORTANT:

The maximum number of HORUS LED PROJECTOR connectable to the Z8 IP20 Power supply / LED controller is 1 piece each LED output (8 pcs totally).

The maximum distance between Z8 IP20 Power supply / LED controller and the HORUS WHITE+AMBER / HORUS RGBA should not exceed 100 meters.

The maximum distance between Z8 IP20 Power supply / LED controller and the HORUS FULL COLOUR should not exceed 50 meters.

Never plug in a HORUS LED PROJECTOR when the power supply is turned on.

RECESSED INSTALLATION

HORUS MODELS

03.LDB093.03.F10	HORUS ADJ FULL COLOR SPOT lenses White finish
03.LDB093.03.F25	HORUS ADJ FULL COLOR MEDIUM flood lenses White finish
03.LDB093.03.F40	HORUS ADJ FULL COLOR WIDE flood lenses White finish
03.LDB093.03.T10	HORUS ADJ RGBA 54LED SPOT lenses White finish
03.LDB093.03.T25	HORUS ADJ RGBA 54LED MEDIUM flood lenses White finish
03.LDB093.03.T40	HORUS ADJ RGBA 54LED WIDE flood lenses White finish
03.LDB093.03.W10	HORUS ADJ WA 54LED SPOT lenses White finish
03.LDB093.03.W25	HORUS ADJ WA 54LED MEDIUM flood lenses White finish
03.LDB093.03.W40	HORUS ADJ WA 54LED WIDE flood lenses White finish
03.LDB094.03.F10	HORUS FIX FULL COLOR SPOT lenses White finish
03.LDB094.03.F25	HORUS FIX FULL COLOR MEDIUM flood lenses White finish
03.LDB094.03.F40	HORUS FIX FULL COLOR WIDE flood lenses White finish
03.LDB094.03.T10	HORUS FIX RGBA 54LED SPOT lenses White finish
03.LDB094.03.T25	HORUS FIX RGBA 54LED MEDIUM flood lenses White finish
03.LDB094.03.T40	HORUS FIX RGBA 54LED WIDE flood lenses White finish
03.LDB094.03.W10	HORUS FIX WA 54LED SPOT lenses White finish
03.LDB094.03.W25	HORUS FIX WA 54LED MEDIUM flood lenses White finish
03.LDB094.03.W40	HORUS FIX WA 54LED WIDE flood lenses White finish
03.LDB096.03.T10	HORUS ADJ RGB 36LED SPOT lenses White finish
03.LDB096.03.T25	HORUS ADJ RGB 36LED MEDIUM flood lenses White finish
03.LDB096.03.T40	HORUS ADJ RGB 36LED WIDE flood lenses White finish
03.LDB096.03.W10	HORUS ADJ WA 36LED SPOT lenses White finish
03.LDB096.03.W25	HORUS ADJ WA 36LED MEDIUM flood lenses White finish
03.LDB096.03.W40	HORUS ADJ WA 36LED WIDE flood lenses White finish
03.LDB097.03.T10	HORUS FIX RGB 36LED SPOT lenses White finish
03.LDB097.03.T25	HORUS FIX RGB 36LED MEDIUM flood lenses White finish
03.LDB097.03.T40	HORUS FIX RGB 36LED WIDE flood lenses White finish
03.LDB097.03.W10	HORUS FIX WA 36LED SPOT lenses White finish
03.LDB097.03.W25	HORUS FIX WA 36LED MEDIUM flood lenses White finish
03.LDB097.03.W40	HORUS FIX WA 36LED WIDE flood lenses White finish
03.LDB143.03.W10	HORUS ADJ 3200°K 48LED SPOT lenses White finish
03.LDB143.03.W25	HORUS ADJ 3200°K 48LED MEDIUM flood lenses White finish
03.LDB143.03.W40	HORUS ADJ 3200°K 48LED WIDE flood lenses White finish
03.LDB144.03.W10	HORUS ADJ 4500°K 48LED SPOT lenses White finish
03.LDB144.03.W25	HORUS ADJ 4500°K 48LED MEDIUM flood lenses White finish
03.LDB144.03.W40	HORUS ADJ 4500°K 48LED WIDE flood lenses White finish
03.LDB145.03.W10	HORUS ADJ 6000°K 48LED SPOT lenses White finish
03.LDB145.03.W25	HORUS ADJ 6000°K 48LED MEDIUM flood lenses White finish
03.LDB145.03.W40	HORUS ADJ 6000°K 48LED WIDE flood lenses White finish
03.LDB146.03.W10	HORUS FIX 3200°K 48LED SPOT lenses White finish
03.LDB146.03.W25	HORUS FIX 3200°K 48LED MEDIUM flood lenses White finish
03.LDB146.03.W40	HORUS FIX 3200°K 48LED WIDE flood lenses White finish
03.LDB147.03.W10	HORUS FIX 4500°K 48LED SPOT lenses White finish
03.LDB147.03.W25	HORUS FIX 4500°K 48LED MEDIUM flood lenses White finish
03.LDB147.03.W40	HORUS FIX 4500°K 48LED WIDE flood lenses White finish
03.LDB148.03.W10	HORUS FIX 6000°K 48LED SPOT lenses White finish
03.LDB148.03.W25	HORUS FIX 6000°K 48LED MEDIUM flood lenses White finish
03.LDB148.03.W40	HORUS FIX 6000°K 48LED WIDE flood lenses White finish

NOTES

NOTES

NOTES

The information contained in this publication has been carefully prepared and checked. However, no responsibility will be taken for any errors. All rights are reserved and this document cannot be copied, photocopied or reproduced, in part or completely, without prior written consent from D.T.S.

D.T.S. reserves the right to make any aesthetic, functional or design modifications to any of its products without prior notice. D.T.S. assumes no responsibility for the use or application of the products or circuits described herein.

MADE IN ITALY



The Lighting Company

ISO 9001:2008

D.T.S. quality system
is certified to the
ISO 9001:2008 standard



D.T.S. products are designed
and manufactured at the D.T.S.
plants in Italy



05171104