



COH-TX2 & COH-RX2

4K x 2K HDMI to Optical Transmitter and Receiver



Operation Manual



DISCLAIMERS

The information in this manual has been carefully checked and is believed to be accurate. Cypress Technology assumes no responsibility for any infringements of patents or other rights of third parties which may result from its use.

Cypress Technology assumes no responsibility for any inaccuracies that may be contained in this document. Cypress also makes no commitment to update or to keep current the information contained in this document.

Cypress Technology reserves the right to make improvements to this document and/or product at any time and without notice.

COPYRIGHT NOTICE

No part of this document may be reproduced, transmitted, transcribed, stored in a retrieval system, or any of its part translated into any language or computer file, in any form or by any means—electronic, mechanical, magnetic, optical, chemical, manual, or otherwise—without express written permission and consent from Cypress Technology.

© Copyright 2011 by Cypress Technology.

All Rights Reserved.

Version 1.1 August 2011

TRADEMARK ACKNOWLEDGMENTS

All products or service names mentioned in this document may be trademarks of the companies with which they are associated.



SAFETY PRECAUTIONS

Please read all instructions before attempting to unpack, install or operate this equipment and before connecting the power supply.

Please keep the following in mind as you unpack and install this equipment:

- Always follow basic safety precautions to reduce the risk of fire, electrical shock and injury to persons.
- To prevent fire or shock hazard, do not expose the unit to rain, moisture or install this product near water.
- Never spill liquid of any kind on or into this product.
- Never push an object of any kind into this product through any openings or empty slots in the unit, as you may damage parts inside the unit.
- Do not attach the power supply cabling to building surfaces.
- Use only the supplied power supply unit (PSU). Do not use the PSU if it is damaged.
- Do not allow anything to rest on the power cabling or allow any weight to be placed upon it or any person walk on it.
- To protect the unit from overheating, do not block any vents or openings in the unit housing that provide ventilation and allow for sufficient space for air to circulate around the unit.

REVISION HISTORY

VERSION NO.	DATE DD/MM/YY	SUMMARY OF CHANGE
VR01	31/07/2013	Preliminary Release

CONTENTS

1. Introduction	1
2. Applications	1
3. Package Contents	1
4. System Requirements	1
5. Features	1
6. Operation Controls and Functions	2
6.1 Transmitter Front and Rear Panels	2
6.2 Receiver Front and Rear Panels.....	3
7. Connection Diagram	4
8. Specifications	5
9. Acronyms	6



1. INTRODUCTION

The 4Kx2K HDMI to Optical Transmitter and Receiver set uses fiber optic cables to give you longer transmission distances (up to 300m) utilizing thinner, lighter cables for greater flexibility in installations. With this system the HDMI signal is uncompressed and is fully compliant with HDMI and HDCP.

2. APPLICATIONS

- Digital signage
- Airport signage
- Advertising displays
- Video wall displays
- Surveillance systems
- Residential Installations

3. PACKAGE CONTENTS

- 1×HDMI to Optical Transmitter
- 1×Optical to HDMI Receiver
- 2×5V DC Power Adaptors
- Operational Manual

4. SYSTEM REQUIREMENTS

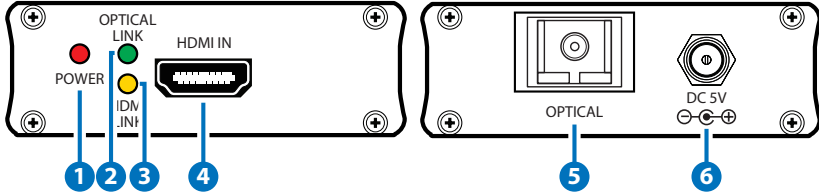
Source device such as a DVD or Blu-ray player with HDMI cables and output displays such as HDTV's and Monitors with HDMI ports.

5. FEATURES

- HDMI, HDCP and DVI compliance
- Supports 3D Signal and 4K x 2K resolutions
- Long transmission distances – up to 300m with OM3 50/125um cable (SC-SC connector)
- Thinner and lighter cables for easier and more flexible installations
- Faster data transmission and lower power consumption
- Supports the reading of EDID information

6. OPERATION CONTROLS AND FUNCTIONS

6.1 Transmitter Front and Rear Panels



1 POWER LED

This LED will illuminate when connected to an AC wall outlet.

2 OPTICAL LINK LED

The LED will illuminate when the optical cable is connected and has successfully detected and communicated data between the Transmitter and Receiver. If the LED is not illuminated then check that the fiber optic cable is properly connected and that the cable itself is undamaged.

3 HDMI LINK LED

This LED will illuminate when the Transmitter unit is receiving a HDMI signal from the source device.

4 HDMI IN

Connect to an HDMI input source such as a DVD or Blu-ray player with a HDMI cable.

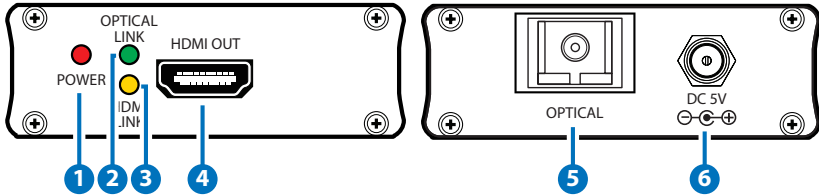
5 OPTICAL

Connect the SC-SC multi-mode optical cable to the Transmitter and Receiver units.

6 DC 5V

Connect to the power adaptor included in the package to an AC wall outlet for power supply.

6.2 Receiver Front and Rear Panels



1 POWER LED

This LED will illuminate when connected to an AC wall outlet..

2 OPTICAL LINK LED

The LED will illuminate when the optical cable is connected and has successfully detected and communicated data between the Transmitter and Receiver. If the LED is not illuminated then check that the fiber optic cable is properly connected and that the cable itself is undamaged.

3 HDMI LINK LED

This LED will illuminate when the device is successfully communicating with the display.

4 HDMI OUT

Connect to a HDMI Display device, such as a TV or monitor, with a HDMI cable.

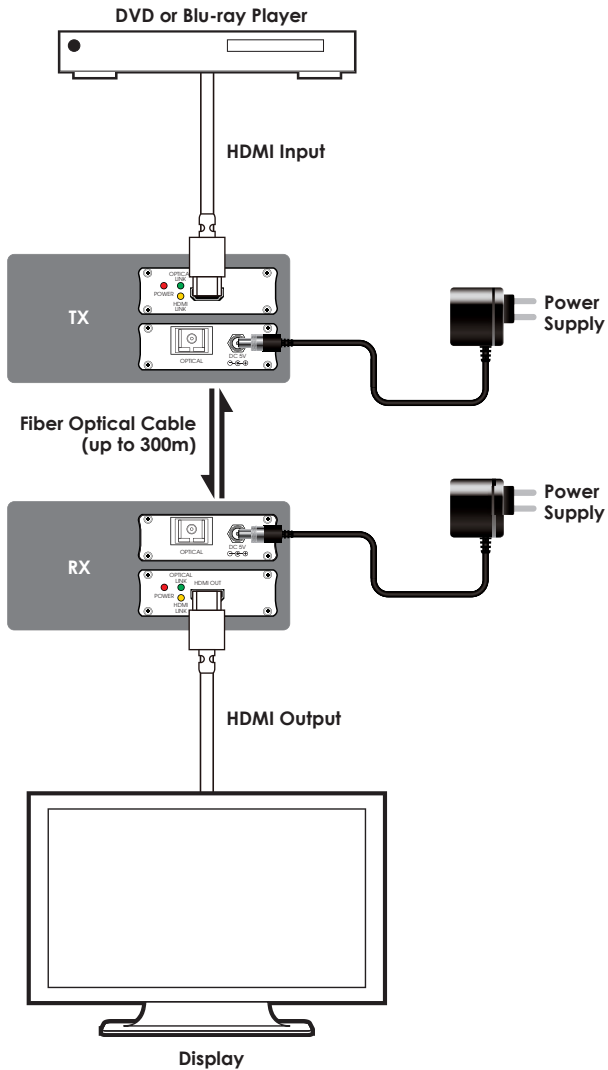
5 OPTICAL

Connect the SC-SC multi-mode fiber optical cable to the Transmitter and Receiver units.

6 DC 5V

Connect to the power adaptor included in the package from the AC wall outlet for power supply.

7. CONNECTION DIAGRAM





8. SPECIFICATIONS

Video Bandwidth	340MHz/10.2Gbps
Optical Fiber	OM3 50/125um, SC-SC connector
Transmitter	
Input Port	1×HDMI
Output Port	1×Multi-mode Fiber Optical
Receiver	
Input Port	1×Multi-mode Fiber Optical
Output port	1×HDMI
Resolution Support	PC: VGA ~ WUXGA HD: 3D & 480i ~ 1080p (50/60Hz), 4K×2K (24/25/30Hz)
HDMI In/Out Cable Distance	Up to 10m (In) and 10m (Out) at 8-bit Up to 6m (In) and 6m (Out) at 12-bit
Optical Cable Distance	Up to 300 Meters with OM3 50/125um Optical Fiber Cable
Power Supply	5 V/2.6 A DC (US/EU standards, CE/FCC/UL certified)
ESD Protection	Human Body Model: ±8kV (air-gap discharge) ±4kV (contact discharge)
Dimensions	65.5mm (W)×125.5mm(D)×21.6mm(H)/ Each
Weight	200g/Each
Chassis Material	Aluminum
Color	Black
Operating Temperature	0 °C ~ 40 °C
Storage Temperature	-20 °C ~ 60 °C / -4 °F ~ 140 °F
Relative Humidity	20 ~ 90 % RH (non-condensing)
Power Consumption	1.5W/TX, 1.3W/RX

9. ACRONYMS

ACRONYM	COMPLETE TERM
HDCP	High-bandwidth Digital Content Protection
HDMI	High-Definition multimedia Interface



CYPRESS TECHNOLOGY CO., LTD
Home page: <http://www.cypress.com.tw>

MPM-COHTX2RX2