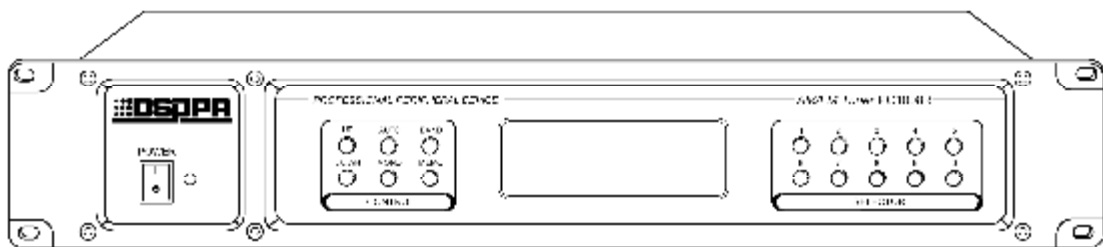




Public Address System

AM/FM TUNER

PC1008R



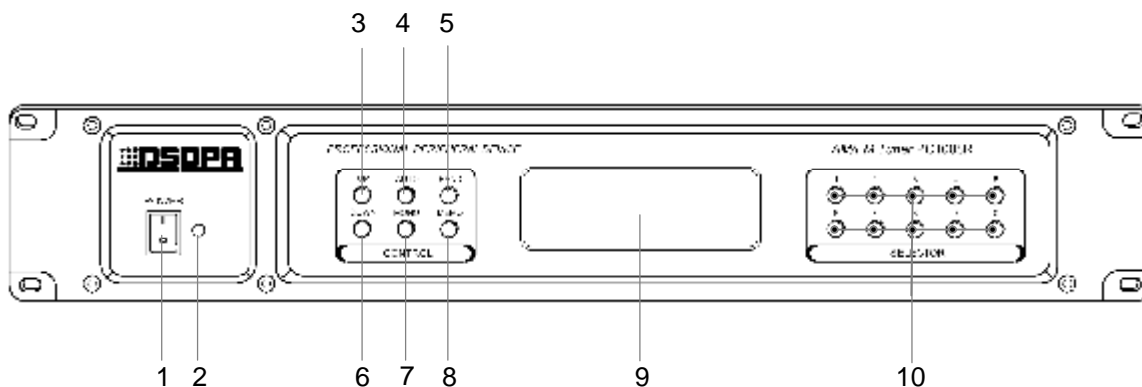
OWNER'S MANUAL

Before operating, please read this manual completely.

FEATURES

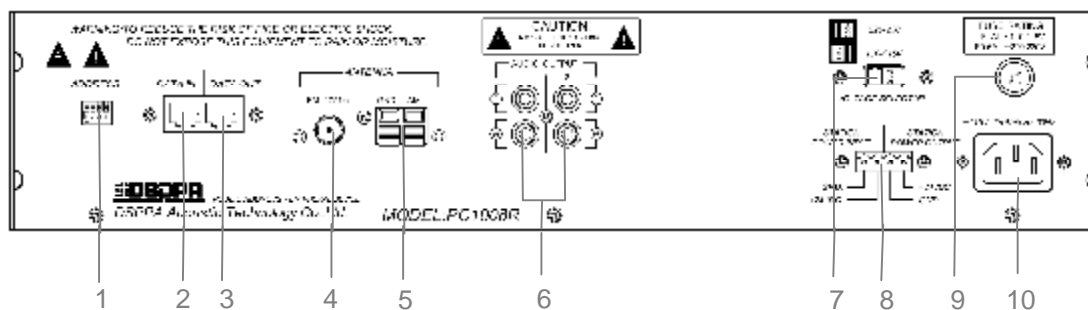
- | **Digital tuner with MPU control.**
- | **Touch key and VFD display.**
- | **40 memories for each AM & FM.**
- | **Auto saves with auto station search.**
- | **Level meter for audio output.**
- | **Memory function after power dropped.**
- | **Programmable controlled by PC1014T available**
- | **Accept AC110V/AC220V/DC24V power supply**

FRONT PANEL



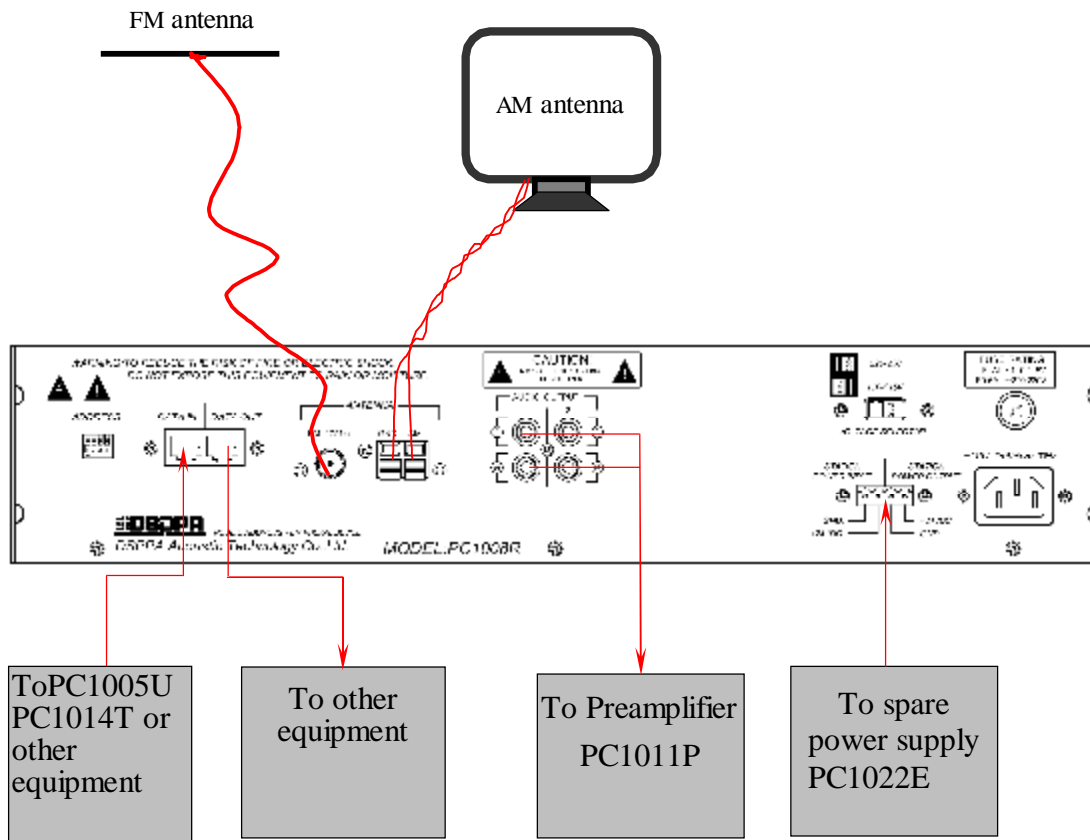
- | | |
|--|-------------------------|
| 1 Power switch (1 is power on and the “power LED” is on) | 6 Down keys |
| 2 Power indicator | 7 Mono keys |
| 3 Up keys | 8 Memo keys |
| 4 Auto search keys | 9 VFD Display screen |
| 5 AM/FM Band keys | 10 M1~+10 Location keys |

REAR PANEL



- | | |
|-------------------|-----------------------|
| 1 Address switch | 6 Audio antenna jack |
| 2 Remote input | 7 AC 110V/220V switch |
| 3 Remote output | 8 DC 24V power input |
| 4 FM antenna jack | 9 Fuse |
| 5 AM antenna jack | 10 Mains |

CONNECTIONS



OPERATION

1 Select a station

A Tuning in Click BAND key for band selecting. Click UP or DOWN key for tuning step by step (FM: 50 kHz/step AM: 9 kHz/step). If keeping UP or DOWN pressed down for 1 second, it will search continuously until a station tuned in or don't in 30 seconds.

B. Calling out Click BAND key for band selecting. Its 40 memories of AM and FM. Sign as CH-01-CH-40. It needs to press two keys together to call out a station which was stored in. Such as calling out the station in CH-01. Press 0 first, 'CH-0_' would appear on the VFD screen, then press

1, 'CH-01' would appear on the VFD screen shortly. At last the stored frequency would be showed and that means the CH-01 station has been called out correctly. (It's wrong operation that you press the key which is over 4 at the first time, or pressing the key over 0 after pressing the 4. The equipment would not

2 Save a station

A Save with auto search Click BAND key for band selecting. Click AUTO key with the symbol “AUTO” flashing on the VFD screen, and then click UP or DOWN key for starting to search station from the lowest frequency to the highest frequency of the band or in reverse order. The stations received will be saved into the memories from M1 to M40 until searching to the end of the band or all memories filled up. The station stored in M1 will be called out when AUTO SEARCH comes to the end. **B Save manually** The station needs to be stored can be the station current or stored from the above way.

Press MEMO, ‘MEN’ would be show in the screen in red flickeringly. ‘CH-__’ would be showed and ‘__’ was showed flickeringly, it means the last operation. It’s similar to saving a station by two keys. It will show the input number shortly and ‘MEM’ will turn off first then show the frequency.

That means the operation is successful.

3 Mono/Stereo switching

Click MONO key in circle for switching between Stereo Mode and Mono Mode of the receiver. Stereo Mode is for FM only. The stereo function will be activated automatically with the symbol

4 Remote with compute link

This set can be controlled by PC or PC1014T via a link cord. For this purpose, fit a link cord from the Remote Link port of this set to the link port of the program manager. We can use the manager to make programs or timings for this set.

SPECIFICATIONS

Band	FM	87.0-108.0MHz
	AM	522-1620kHz
Sensitivity	FM	18dBμ
	AM	52dBμ
S/N	FM	Mono 76dB, Stereo 70dB
	AM	40dB
Freq. Step	FM	50kHz
	AM	9kHz
MF	FM	10.7 MHz
	AM	450 kHz
Output level	0dBV	
Protection	AC fuse\times1(220V: F0.6AL, 110V: F1AL)	
Power Requirement	1. AC220V/110V 50/60Hz 2. DC24V	
Outer Packing Size(mm)	(L\timesW\timesH) 555\times455\times185	
Unit Size (mm)	(L\timesW\timesH) 484\times349.5\times88	
Gross weight	8kg	
Net weight	6.2 kg	

Specifications are subject to be changed without notice.

CAUTION

- When the “Power switcher” is off, please pull out the power cord from the socket. Please keep the equipment out of water.
- To reduce the risk of electric shock, do not remove the cover.
- No user parts inside. Refer servicing to qualified service personnel.

DSPPA Acoustic Technology Co., Ltd.