

# OWNER MANUAL MANUALE D'USO

**UP 8501**  
**UP 8502**  
**UP 8504**

- AMPLIFIERS
- AMPLIFICATORI





**ENGLISH**

SAFETY PRECAUTIONS	4
NOTES ABOUT AUDIO SIGNAL CABLES	5
DESCRIPTION	6
MOUNTING INTO 19" RACK CABINETS	6
FRONT PANEL	7
REAR PANEL	8
REMOTE VOLUME CONTROL	11
LOUDSPEAKER CONNECTION	12
POWER SUPPLY VOLTAGE CHANGE	13
SPECIFICATIONS	14

**ITALIANO**

AVVERTENZE PER LA SICUREZZA	15
NOTA SUI CAVI PER SEGNALI AUDIO	16
DESCRIZIONE	17
INSTALLAZIONE NEI RACK DA 19"	17
PANNELLO FRONTALE	18
PANNELLO POSTERIORE	19
REGOLAZIONE REMOTA DEL VOLUME	23
COLLEGAMENTO DEI DIFFUSORI ACUSTICI	24
CAMBIO TENSIONE DI FUNZIONAMENTO DELL'APPARECCHIO	25
DATI TECNICI	26

**IMPORTANT**

Before connecting and using this product, please read this instruction manual carefully and keep it on hand for future reference.

The manual is to be considered an integral part of this product and must accompany it when it changes ownership as a reference for correct installation and use as well as for the safety precautions.

RCF S.p.A. will not assume any responsibility for the incorrect installation and / or use of this product.

**WARNING:** To prevent the risk of fire or electric shock, never expose this product to rain or humidity.

**SAFETY PRECAUTIONS**

**1.** All the precautions, in particular the safety ones, must be read with special attention, as they provide important information.

**2.1 PRIMARY POWER SUPPLY FROM MAINS**

- The mains voltage is sufficiently high to involve a risk of electrocution: never install or connect this product when its power cable is plugged in.
- Before powering up, make sure that all the connections have been made correctly and the voltage of your mains corresponds to the voltage shown on the rating plate on the unit, if not, please contact your RCF dealer.
- The metallic parts of the unit are earthed by means of the power cable.
- An apparatus with CLASS I construction shall be connected to a mains socket outlet with a protective earthing connection.
- Protect the power cable from damage. Make sure it is positioned in a way that it cannot be stepped on or crushed by objects.
- To prevent the risk of electric shock, never open this product: there are no parts inside that the user needs to access.

**2.2 SECONDARY (/ EMERGENCY) POWER SUPPLY THROUGH BATTERIES**

- The apparatus operating voltage is 48 V dc (therefore, it is necessary to connect in series several batteries having a lower nominal voltage, example: 4 x 12 V, 2 x 24 V).
- Always use rechargeable batteries, which need to be chosen according to the maximum possible load.
- Verify the polarity of batteries is correct.
- Do NOT short-circuit batteries (i.e. connecting the 2 opposite poles together with metallic wires).
- Throw empty batteries away according to your country laws about ecology and environment protection.

**3.** Make sure that no objects or liquids can get into this product, as this may cause a short circuit. This apparatus shall not be exposed to dripping or splashing. No objects filled with liquid, such as vases, shall be placed on this apparatus. No naked sources (such as lighted candles) should be placed on this apparatus.

**4.** Never attempt to carry out any operations, modifications or repairs that are not expressly described in this manual.


Contact your authorized service centre or qualified personnel should any of the following occur:

- The product does not function (or functions in an anomalous way).
- The power supply cable has been damaged.
- Objects or liquids have got in the unit.
- The product has been subject to a heavy impact.

**5.** If this product is not used for a long period, disconnect the power cable (and or batteries).

**6.** If this product begins emitting any strange odours or smoke, switch it off immediately and disconnect the power supply cable (and / or batteries).

**IMPORTANT****WARNING**

7. The terminals marked with the symbol  are HAZARDOUS LIVE and their connection is to be made by an INSTRUCTED PERSON or the use of ready-made cables is required.

8. Do not connect this product to any equipment or accessories not foreseen.

For suspended installation, only use the dedicated anchoring points and do not try to hang this product by using elements that are unsuitable or not specific for this purpose.

Also check the suitability of the support surface to which the product is anchored (wall, ceiling, structure, etc.), and the components used for attachment (screw anchors, screws, brackets not supplied by RCF etc.), which must guarantee the security of the system / installation over time, also considering, for example, the mechanical vibrations normally generated by transducers.

To prevent the risk of falling equipment, do not stack multiple units of this product unless this possibility is specified in the user manual.

**9. RCF S.p.A. strongly recommends this product is only installed by professional qualified installers (or specialised firms) who can ensure correct installation and certify it according to the regulations in force.**

**The entire audio system must comply with the current standards and regulations regarding electrical systems.**

10. Supports and trolleys

The equipment should be only used on trolleys or supports, where necessary, that are recommended by the manufacturer. The equipment / support / trolley assembly must be moved with extreme caution. Sudden stops, excessive pushing force and uneven floors may cause the assembly to overturn.

11. There are numerous mechanical and electrical factors to be considered when installing a professional audio system (in addition to those which are strictly acoustic, such as sound pressure, angles of coverage, frequency response, etc.).

12. Hearing loss

Exposure to high sound levels can cause permanent hearing loss. The acoustic pressure level that leads to hearing loss is different from person to person and depends on the duration of exposure. To prevent potentially dangerous exposure to high levels of acoustic pressure, anyone who is exposed to these levels should use adequate protection devices.

When a transducer capable of producing high sound levels is being used, it is therefore necessary to wear ear plugs or protective earphones.

See the technical specifications in loudspeaker instruction manuals to know their maximum sound pressure levels.

13. Do not obstruct the ventilation grilles of the unit. Situate this product far from any heat sources and always ensure adequate air circulation around the ventilation grilles.

14. Do not overload this product for a long time.

15. Never force the control elements (keys, knobs, etc. ).

16. Do not use solvents, alcohol, benzene or other volatile substances for cleaning the external parts of this product.

Use a dry cloth.

## NOTES ABOUT AUDIO SIGNAL CABLES



To prevent the occurrence of noise on microphone / line signal cables, use screened cables only and avoid putting them close to:

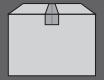
- Equipment that produces high-intensity electromagnetic fields (for example, high power transformers)
- Mains cables
- Loudspeaker lines.

## IMPORTANT NOTES



RCF S.P.A. THANKS YOU FOR PURCHASING THIS PRODUCT, WHICH HAS BEEN DESIGNED TO GUARANTEE RELIABILITY AND HIGH PERFORMANCES.

## DESCRIPTION



The UP 8500 amplifier series includes 3 similar models having different channel number and maximum output power per channel:

- **UP 8501** 1 channel, max. power: 500 W
- **UP 8502** 2 channels, max. power: 250 W per channel
- **UP 8504** 4 channels, max. power: 125 W per channel.

Each channel has 3 audio inputs (all 'line' level):

- **INPUT 1** 'LINE' balanced input (for signals coming from preamplifiers, active paging microphones, message players, etc.).
- **INPUT 2** 'LINE' balanced input (for signals coming from preamplifiers, active paging microphones). It can be used for unbalanced stereo signals (from CD – MP3 players, tuners, etc.).
- **IN TEST** Unbalanced input for channel test signals.

The INPUT 1 can get the priority (by a command) over the INPUT 2, which is disabled when the priority is in progress.

The TEST IN input allows to use a test signal to verify the proper channel operation. The TEST IN input can get the priority (by a command) over both INPUT 1 and INPUT 2, which are disabled when the priority is in progress.

Channel outputs are 70 V – 100 V constant voltage lines (for loudspeakers having matching transformers).

In addition to the connection to the mains, the amplifier can also be powered by batteries (voltage: 48 V dc), in order to ensure its proper operation even when the mains supply is temporarily unavailable.

Front panel LEDs indicate the device state (on – stand-by), power supplies, protections and audio signal levels.

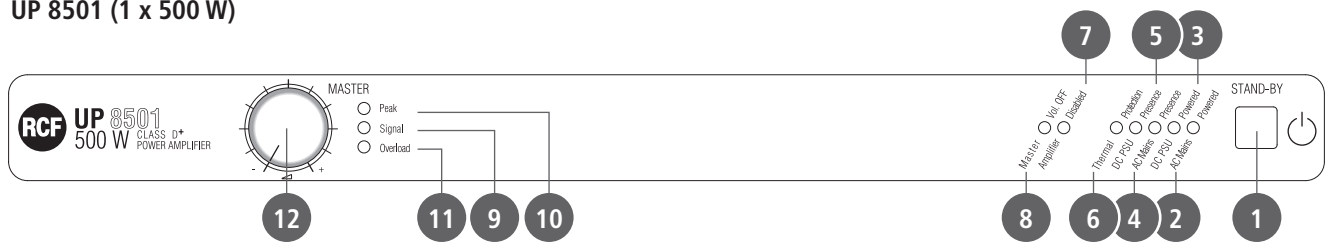
## MOUNTING INTO 19" RACK CABINETS



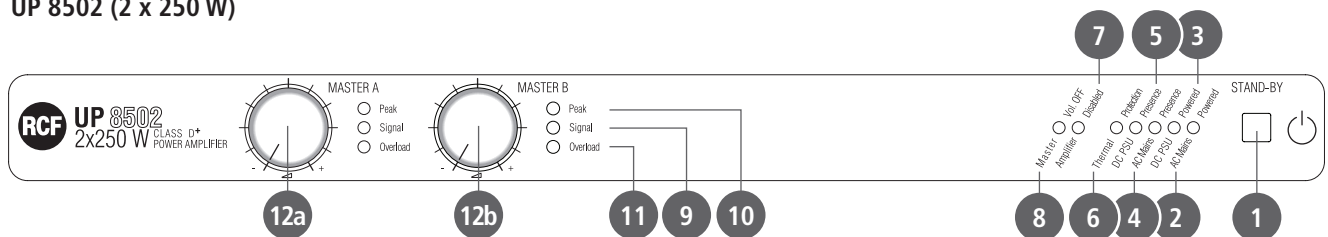
Fix each amplifier on the 19" rack cabinet front side through 4 screws. UP 8500 series amplifiers have forced ventilation controlled by a thermostat and can be stacked without spaces or ventilation panels. Air ventilation is horizontally, so it is necessary to keep open the lateral sides.



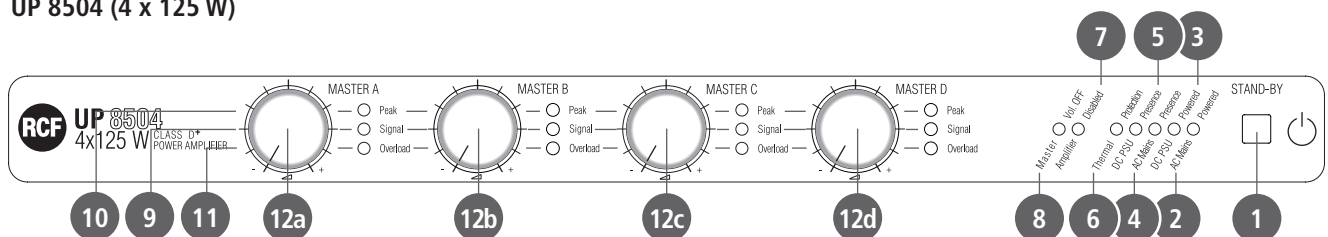
## UP 8501 (1 x 500 W)



## UP 8502 (2 x 250 W)



## UP 8504 (4 x 125 W)



**1 STAND-BY** switch.

The STAND-BY switch is disabled (the amplifier stays on) if the secondary 48 V dc power supply is present (batteries connected to the respective input [20]).

**2 AC Mains Powered** LED: (when lit) the amplifier is operating through the mains power supply (115 - 230 V ac).

**3 DC PSU Powered** LED: (when lit) the amplifier is operating through batteries (48 V dc).

**4 AC Mains Presence** LED: (when lit) the mains power supply (115 - 230 V ac) is detected.

**5 DC PSU Presence** LED: (when lit) the 48 V dc power supply (by batteries) is detected.

**6 Thermal** Protection LED: (when lit) the thermal protection is activated (the amplifier is muted).

**7 Amplifier Disabled** LED: (when lit) the amplifier has been disabled by the 'Amplifier Disable' command [17].

**8 Master Vol. OFF** LED: (when lit) all the MASTER volume controls [12] are disabled (volumes depend on remote controls, see 'Rem Vol' [16]).

**9 Signal** LED: (when lit) the signal level is equal or higher than -20 dB.  
UP 8502 and UP 8504: each LED indicates the signal level on the respective channel.

**10 Peak LED:** (when lit) signal level (0 dB, peak) that allows to get the maximum deliverable power of the amplifier and is the limiter threshold.

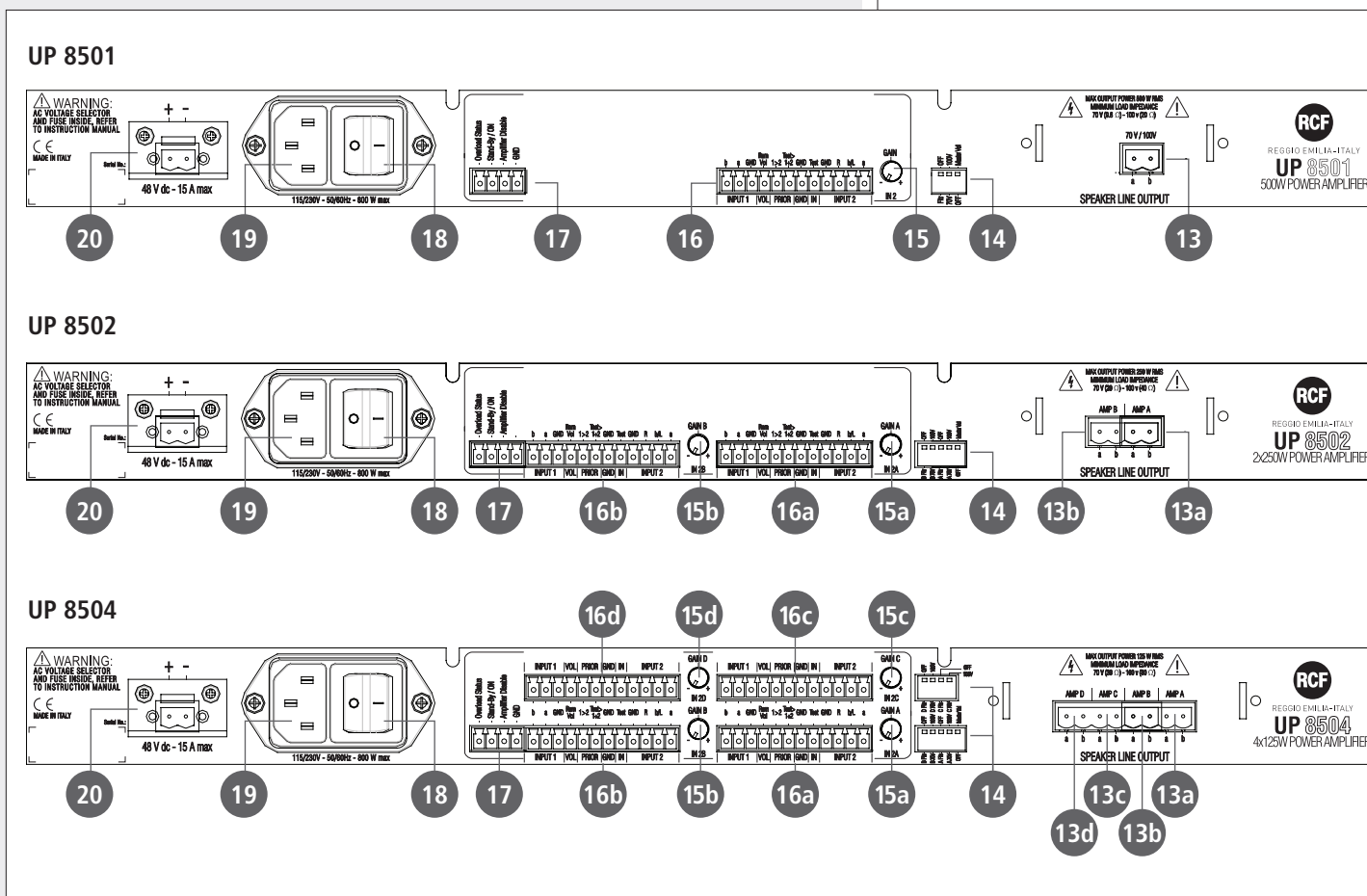
UP 8502 and UP 8504: each LED indicates the maximum signal level on the respective channel. Occasional flashing is normal, but it is advisable to turn the respective MASTER volume down when a 'Peak' LED is steady lit.

**11 Overload LED:** (when lit) the overload protection is activated on the respective channel (no signal is sent to the relative output).

**12 MASTER** volume control

UP 8502 and UP 8504: volume control of each channel [12a] [12b] [12c] [12d].

REAR PANEL



**13 SPEAKER LINE OUTPUT**

**UP 8501:** amplifier output to connect the 70 – 100 V constant voltage line for loudspeakers (which need matching transformers). Max. output power: 500 W.

**UP 8502:** 2 amplifier outputs ([13a]: A channel, [13b]: B channel) to connect two 70 – 100 V constant voltage lines for loudspeakers (which need matching transformers). Max. output power: 250 W per each channel.

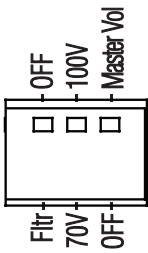
**UP 8504:** 4 amplifier outputs ([13a]: A channel, [13b]: B channel, [13c]: C channel, [13d]: D channel) to connect four 70 – 100 V constant voltage lines for loudspeakers (which need matching transformers). Max. output power: 125 W per each channel.

READ THE 'LOUDSPEAKER CONNECTION' MANUAL SECTION.



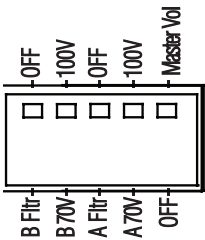
14 Dip-switches

UP 8501



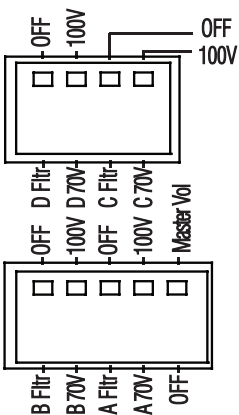
<b>Fltr – OFF</b>	<b>Fltr:</b> the band-pass filter is inserted (200 Hz ÷ 8 kHz).	<b>OFF:</b> the band-pass filter is not inserted.
<b>70V – 100V</b>	<b>70V:</b> Amplifier output [13] for loudspeakers is set to 70 V.	<b>100V:</b> Amplifier output [13] for loudspeakers is set to 100 V.
<b>OFF – Master Vol</b>	<b>OFF:</b> the MASTER [12] volume control is disabled (the volume depends on the remote control).	<b>Master Vol:</b> the MASTER [12] volume control is enabled.

UP 8502



<b>B Fltr – OFF</b>	<b>B Fltr:</b> the band-pass filter of the B channel is inserted.	<b>OFF:</b> the band-pass filter of the B channel is not inserted.
<b>B 70V – 100V</b>	<b>70V:</b> the B channel output [13b] for loudspeakers is set to 70 V.	<b>100V:</b> the B channel output [13b] for loudspeakers is set to 100 V.
<b>A Fltr – OFF</b>	<b>A Fltr:</b> the band-pass filter of the A channel is inserted.	<b>OFF:</b> the band-pass filter of the A channel is not inserted.
<b>A 70V – 100V</b>	<b>70V:</b> the A channel output [13a] for loudspeakers is set to 70 V.	<b>100V:</b> the A channel output [13a] for loudspeakers is set to 100 V.
<b>OFF – Master Vol</b>	<b>OFF:</b> all MASTER [12a] [12b] volume controls are disabled (all volumes depend on the remote controls).	<b>Master Vol:</b> all MASTER [12a] [12b] volume controls are enabled.

UP 8504



<b>D Fltr – OFF</b>	<b>D Fltr:</b> the band-pass filter of the D channel is inserted.	<b>OFF:</b> the band-pass filter of the D channel is not inserted.
<b>D 70V – 100V</b>	<b>70V:</b> the D channel output [13d] for loudspeakers is set to 70 V.	<b>100V:</b> the D channel output [13d] for loudspeakers is set to 100 V.
<b>C Fltr – OFF</b>	<b>C Fltr:</b> the band-pass filter of the C channel is inserted.	<b>OFF:</b> the band-pass filter of the C channel is not inserted.
<b>C 70V – 100V</b>	<b>70V:</b> the C channel output [13c] for loudspeakers is set to 70 V.	<b>100V:</b> the C channel output [13c] for loudspeakers is set to 100 V.
<b>B Fltr – OFF</b>	<b>B Fltr:</b> the band-pass filter of the B channel is inserted.	<b>OFF:</b> the band-pass filter of the B channel is not inserted.
<b>B 70V – 100V</b>	<b>70V:</b> the B channel output [13b] for loudspeakers is set to 70 V.	<b>100V:</b> the B channel output [13b] for loudspeakers is set to 100 V.
<b>A Fltr – OFF</b>	<b>A Fltr:</b> the band-pass filter of the A channel is inserted.	<b>OFF:</b> the band-pass filter of the A channel is not inserted.
<b>A 70V – 100V</b>	<b>70V:</b> the A channel output [13a] for loudspeakers is set to 70 V.	<b>100V:</b> the A channel output [13a] for loudspeakers is set to 100 V.
<b>OFF – Master Vol</b>	<b>OFF:</b> all MASTER [12a] [12b] [12c] [12d] volume controls are disabled (all volumes depend on the remote controls).	<b>Master Vol:</b> all MASTER [12a] [12b] [12c] [12d] volume controls are enabled.

THE INSERTION OF BAND-PASS FILTERS (ONE PER EACH CHANNEL, PASSBAND: 200 Hz ÷ 8 kHz) IS ADVISABLE IN SOME CASES, FOR INSTANCE:

- WHEN HORN LOUDSPEAKERS ARE USED.
- TO GET A BETTER SPEECH INTELLIGIBILITY IN HALLS / ROOMS HAVING A LONG REVERB.
- TO CUT POSSIBLE NOISES ON LOW / HIGH FREQUENCIES.

IF IT IS REQUESTED HIGH FIDELITY OF MUSIC, IT WILL BE NECESSARY TO DISABLE BAND-PASS FILTERS.

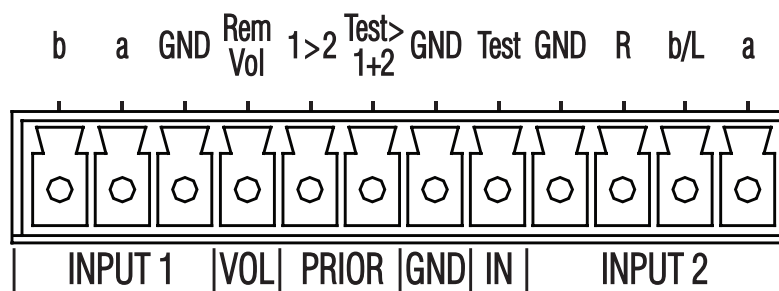


**15 IN2 GAIN:** control to adjust the gain of the audio **INPUT 2** [16]. Turn it either clockwise to increase its gain or counterclockwise to reduce it.

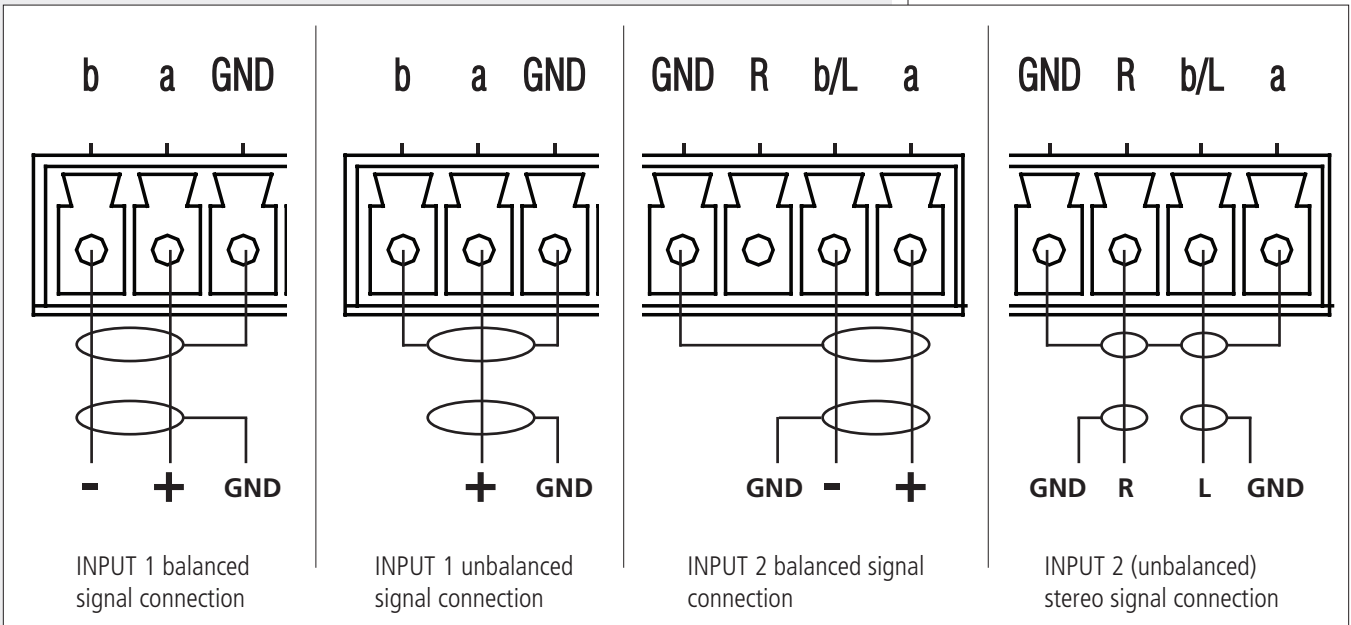
UP 8502 and UP 8504: each IN2 GAIN control adjusts the gain of the respective channel.

<b>IN2A GAIN A</b>	Gain control of the A channel audio <b>INPUT 2</b> [16a]
<b>IN2B GAIN B</b>	Gain control of the B channel audio <b>INPUT 2</b> [16b]
<b>IN2C GAIN C</b>	Gain control of the C channel audio <b>INPUT 2</b> [16c]
<b>IN2D GAIN D</b>	Gain control of the D channel audio <b>INPUT 2</b> [16d]

**16** Removable terminal strips (UP 8502 and UP 8504: a terminal strip per each channel)



<b>INPUT 1</b>	<b>b</b>	Audio input 1, 'b' terminal
	<b>a</b>	Audio input 1, 'a' terminal
	<b>GND</b>	Audio input 1, ground
<b>VOL</b>	<b>Rem Vol</b>	Contact for the volume remote control
<b>PRIOR</b>	<b>1 &gt; 2</b>	When this contact is linked to ground (GND – GND), the INPUT 1 has priority (INPUT 2 is muted)
	<b>Test &gt; 1 + 2</b>	When this contact is linked to ground (GND – GND), the 'IN – Test' input has priority (both INPUT 1 and 2 are muted)
<b>GND</b>	<b>GND</b>	Common ground for PRIOR contacts
<b>IN</b>	<b>Test</b>	Test signal input. Link it to the ground (through a wire) when not used, as this input is always open.
<b>INPUT 2</b>	<b>GND</b>	Audio input 2, ground
	<b>R</b>	Audio input 2, stereo signal right channel
	<b>b / L</b>	Audio input 2, either 'b' terminal or stereo signal left channel
	<b>a</b>	Audio input 2, 'a' terminal



BOTH CHANNELS (LEFT AND RIGHT, OF A STEREO AUDIO SIGNAL CONNECTED TO THE INPUT 2) ARE MIXED IN ORDER TO GET A MONO SIGNAL.

**REMOTE VOLUME CONTROL**

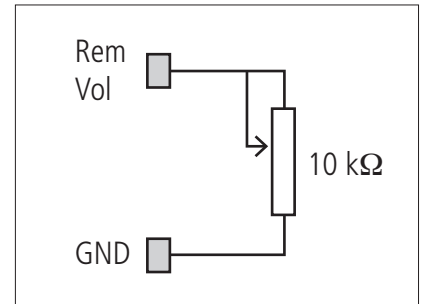
It is necessary to set the 'Master Vol' dip-switch [14] to OFF and insert a potentiometer between the 'Rem Vol' and 'GND – GND' (ground) contacts.

Suggested potentiometer: 10 kΩ, inverse logarithmic curve.

**IMPORTANT: If the 'Master Vol' dip-switch is set to OFF and one or more remote control potentiometers are not foreseen, it is necessary to short-circuit the respective contacts to ground (through a wire) to get the maximum volume, otherwise the relevant channels are muted.**



**REMOTE VOLUME CONTROL**



[17] Removable screw terminals

	<p><b>Overload Status</b></p>	<p>'OPEN COLLECTOR' max. 40 V max. 50 mA</p> <p>Amplifier overload indication through (for example) either a LED (A picture) or a relay (B picture).          'Open collector' circuit.          Max. voltage: 40 V dc          Max. current: 50 mA</p>
	<p><b>Stand-By / ON</b></p>	<p>Command linked in parallel to the front panel POWER [1] switch. When linked to the ground (GND) contact, the amplifier is remotely turned on.</p>
	<p><b>Amplifier Disable</b></p>	<p>When linked to the ground (GND) contact: the amplifier is disabled in order to save energy or select zones.</p>
	<p><b>GND</b></p>	<p>Ground common contact (for the previous three)</p>

- 18 Main power switch  
I = ON      O = OFF

THE MAIN POWER SWITCH DOES NOT AFFECT THE POWER SUPPLY BY BATTERIES (48 V DC).

- 19 Connector for the power cable

Before powering up, make sure that all the connections have been made correctly and the voltage of your mains corresponds to the voltage shown on the rating plate on the unit.

The voltage selector and the fuse are inside the amplifier.

Refer to the respective manual section.

- 20 Input for the secondary 48 V dc power supply (batteries) necessary to ensure the amplifier operation even if the mains supply is temporarily unavailable.

Make sure the connection polarity + / - is correct and use a cable having wires with a suitable section (suggested: 4 mm<sup>2</sup>) for the max. current (15 A).

## LOUDSPEAKER CONNECTION



Connect all loudspeaker respecting the phase.

Every loudspeaker shall have a matching transformer, which input is suitable for the line voltage (70 / 100 V).

### UP 8501

After setting the amplifier output voltage through the 70V – 100V [14] dip-switch, connect the positive wire of the loudspeaker line to the amplifier output [13] 'a' contact and the negative wire to the 'b' contact.

The total power of all connected loudspeakers shall not exceed the amplifier nominal power (500 W).

### UP 8502

This model has 2 independent outputs (2 channels): **AMP A** [13a] and **AMP B** [13b].

Set the voltage of both outputs through the **A 70V – 100V** (AMP A) and **B 70V – 100V** (AMP B) [14] dip-switches before connecting the loudspeaker lines.

The total power of all connected loudspeakers of a single channel (considering only 1 of the 2 available outputs) shall not exceed 250 W.

See the UP 8501 model for loudspeaker connection.

### UP 8504

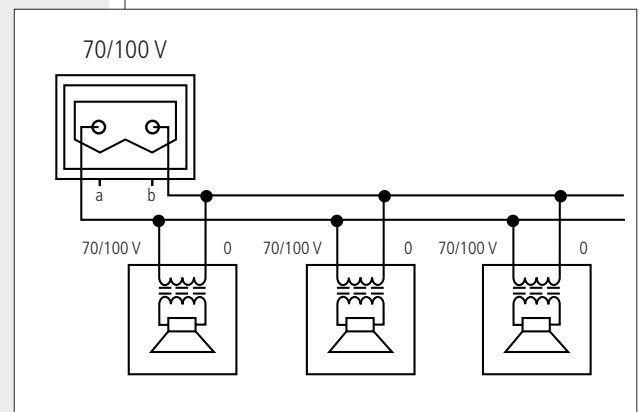
This model has 4 independent outputs (4 channels):

**AMP A** [13a], **AMP B** [13b], **AMP C** [13c] and **AMP D** [13d].

Set the voltage of the 4 outputs through the **A 70V – 100V** (AMP A), **B 70V – 100V** (AMP B), **C 70V – 100V** (AMP C), **D 70V – 100V** (AMP D) [14] dip-switches before connecting the loudspeaker lines.

The total power of all connected loudspeakers of a single channel (considering only 1 of the 4 available outputs) shall not exceed 125 W.

See the UP 8501 model for loudspeaker connection.



# POWER SUPPLY VOLTAGE CHANGE



**IMPORTANT:** THIS MANUAL SECTION CONCERNS QUALIFIED PERSONNEL ONLY.  
THE FOLLOWING INSTRUCTIONS ARE TO BE IGNORED BY THE USER.

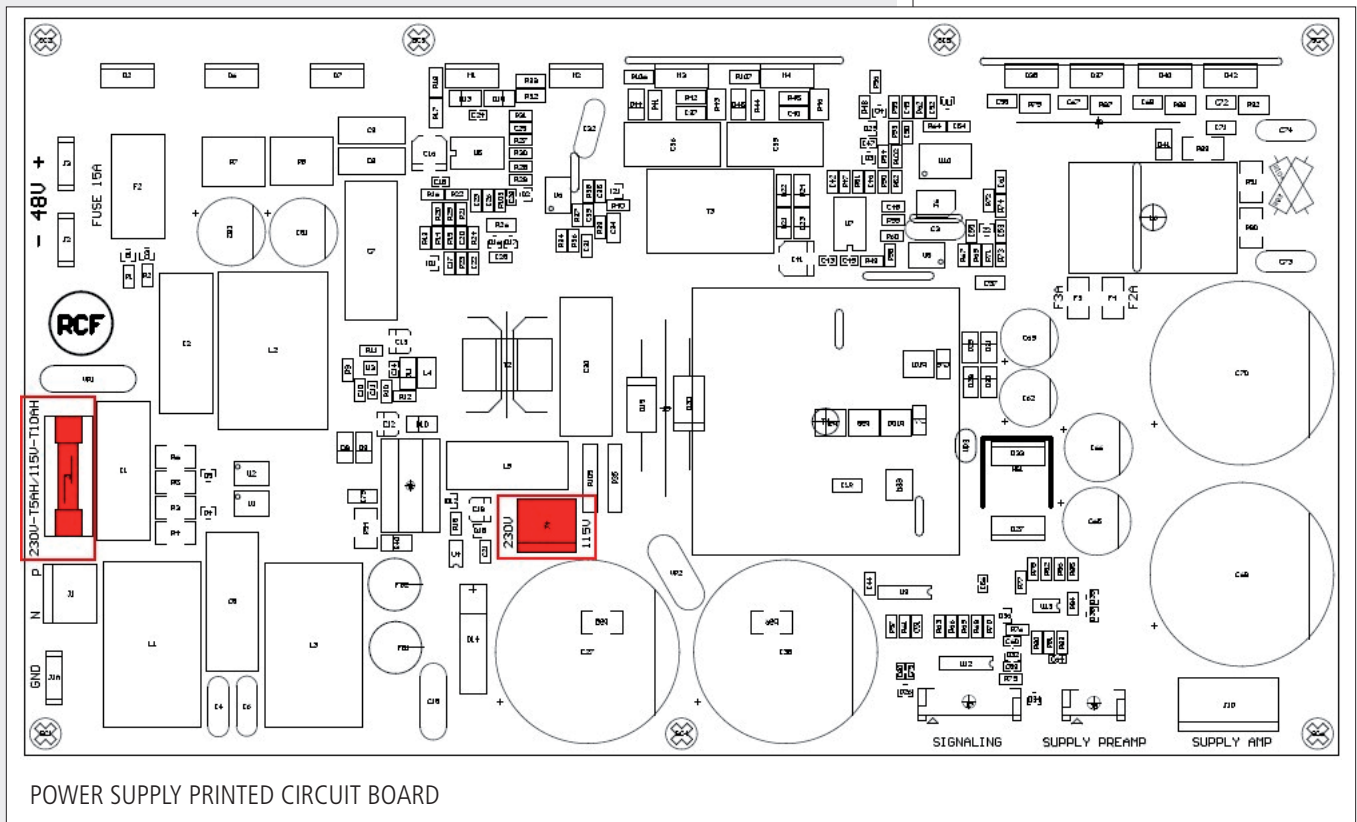
**IMPORTANT**



Make sure the device is not connected to the mains (unplug the power cord).

Remove the lid.

The 230 V – 115 V voltage selector ('J4') is on the power supply printed circuit board (in its centre). Change (if necessary) the voltage by moving 'J4' to the value corresponding to the mains (either 230 V or 115 V), as according to the printed circuit board silk screen.



Make sure the F1 fuse (on the left in the power supply printed circuit board figure) is the proper one for the operating voltage, before connecting the amplifier to the mains:

- **230 V** – T5AH (250 V)
- **115 V** – T10AH (250 V).



	UP 8501	UP 8502	UP 8504
<b>No. channels x output power (RMS)</b>	1 x 500 W	2 x 250 W	4 x 125 W
<b>Frequency response <math>\pm 3</math> dB</b>	40 Hz $\div$ 16 kHz		
<b>Band-pass filter (12 dB / oct)</b>	200 Hz $\div$ 8 kHz (passband)		
<b>THD and noise (at max. power)</b>	max. 0.3%		
<b>Signal / noise ratio (IEC-A)</b>	86 dB		
<b>Channel crosstalk</b>	–	70 dB	60 dB
<b>INPUT 1 sensitivity</b>	0 dBu (775 mV, max. 7 V)		
<b>INPUT 2 sensitivity</b>	0 $\div$ –20 dBu (775 $\div$ 78 mV, max. 7 V)		
<b>IN TEST sensitivity</b>	0 dBu (775 mV)		
<b>Input impedance</b>	10 k $\Omega$		
<b>Minimum load impedance of each 70 V line</b>	10 $\Omega$	20 $\Omega$	40 $\Omega$
<b>Minimum load impedance of each 100 V line</b>	20 $\Omega$	40 $\Omega$	80 $\Omega$
<b>Over signal limiter</b>	20 dB		
<b>Amplifier protections</b>	overload, thermal		
<b>Power supply protection</b>	fuse		
<b>Operating voltage</b>	Mains: 115 – 230V ac $\pm 10\%$ , 50 – 60 Hz (internal voltage selector) Batteries: 48 V dc $\pm 10\%$		
<b>Power consumption, AC stand-by</b>	3 W		
<b>Power consumption, disabled amp.</b>	13 W	15 W	20 W
<b>Power consumption, no input signal</b>	25 W	36 W	50 W
<b>Power consumption, musical signal</b>	160 W		
<b>Power consumption, max. output power</b>	650 W		
<b>Power consumption, max. overload</b>	800 W		
<b>Operating temperature</b>	0 $\div$ 55 $^{\circ}$ C (32 $\div$ 131 $^{\circ}$ F), rel. humidity: max. 90%		
<b>Storage temperature</b>	–10 $\div$ 70 $^{\circ}$ C (14 $\div$ 158 $^{\circ}$ F)		
<b>Dimensions (w, h, d)</b>	482 mm, 44 mm, 375 mm (one 19" rack unit)		
<b>Net weight</b>	5.1 kg	5.3 kg	5.5 kg



## IMPORTANTE

Prima di collegare ed utilizzare questo prodotto, leggere attentamente le istruzioni contenute in questo manuale, il quale è da conservare per riferimenti futuri. Il presente manuale costituisce parte integrante del prodotto e deve accompagnare quest'ultimo anche nei passaggi di proprietà, per permettere al nuovo proprietario di conoscere le modalità d'installazione e d'utilizzo e le avvertenze per la sicurezza. L'installazione e l'utilizzo errati del prodotto esimono la RCF S.p.A. da ogni responsabilità.

**ATTENZIONE:** Per prevenire i rischi di fiamme o scosse elettriche, non esporre mai questo prodotto alla pioggia o all'umidità.

## AVVERTENZE PER LA SICUREZZA

**1.** Tutte le avvertenze, in particolare quelle relative alla sicurezza, devono essere lette con particolare attenzione, in quanto contengono importanti informazioni.

### 2.1 ALIMENTAZIONE PRINCIPALE DA RETE ELETTRICA

- La tensione di alimentazione dell'apparecchio ha un valore sufficientemente alto da costituire un rischio di folgorazione per le persone: non procedere mai all'installazione od alla connessione dell'apparecchio con il cavo dell'alimentazione collegato alla rete elettrica.
- Prima di alimentare questo prodotto, assicurarsi che tutte le connessioni siano corrette e che la tensione della vostra rete di alimentazione corrisponda quella di targa dell'apparecchio, in caso contrario rivolgetevi ad un rivenditore RCF.
- Le parti metalliche dell'apparecchio sono collegate a terra tramite il cavo di alimentazione. Un apparecchio avente costruzione di CLASSE I deve essere connesso alla presa di rete con un collegamento alla terra di protezione.
- Accertarsi che il cavo di alimentazione dell'apparecchio non possa essere calpestato o schiacciato da oggetti, al fine di salvaguardarne la perfetta integrità.
- Per evitare il rischio di shock elettrici, non aprire mai l'apparecchio: all'interno non vi sono parti che possono essere utilizzate dall'utente.

### 2.2 ALIMENTAZIONE SECONDARIA D'EMERGENZA TRAMITE BATTERIE

- L'apparecchio funziona con tensione 48 V in corrente continua (pertanto, occorre collegare in serie più batterie aventi una tensione nominale inferiore, es. 4 x 12 V, 2 x 24 V).
- Utilizzare sempre batterie ricaricabili, opportunamente scelte in funzione del massimo carico possibile.
- Verificare che sia rispettata la polarità delle batterie.
- Non cortocircuitare le batterie (ad esempio collegando i 2 poli opposti con un filo di metallo).
- Smaltire le batterie esaurite facendo riferimento alle norme di legge vigenti (nel paese di utilizzo) in materia di ecologia e protezione dell'ambiente.

**3.** Impedire che oggetti o liquidi entrino all'interno del prodotto, perché potrebbero causare un corto circuito. L'apparecchio non deve essere esposto a stillycidio o a spruzzi d'acqua; nessun oggetto pieno di liquido, quali vasi, deve essere posto sull'apparecchio. Nessuna sorgente di fiamma nuda (es. candele accese) deve essere posta sull'apparecchio.

**4.** Non eseguire sul prodotto interventi / modifiche / riparazioni se non quelle espressamente descritte sul manuale istruzioni.

Contattare centri di assistenza autorizzati o personale altamente qualificato quando:

- l'apparecchio non funziona (o funziona in modo anomalo);
- il cavo di alimentazione ha subito gravi danni;
- oggetti o liquidi sono entrati nell'apparecchio;
- l'apparecchio ha subito forti urti.

**5.** Qualora questo prodotto non sia utilizzato per lunghi periodi, scollegare il cavo d'alimentazione dalla rete e/o le batterie.


## IMPORTANTE



## ATTENZIONE



**6.** Nel caso che dal prodotto provengano odori anomali o fumo, spegnerlo immediatamente e scollegare il cavo d'alimentazione e/o le batterie.

**7.** I terminali marcati con il simbolo  sono da ritenersi ATTIVI e PERICOLOSI ed il loro collegamento deve essere effettuato da PERSONE ADDESTRATE oppure si devono utilizzare cavi già pronti.

**8.** Non collegare a questo prodotto altri apparecchi e accessori non previsti.

Quando è prevista l'installazione sospesa, utilizzare solamente gli appositi punti di ancoraggio e non cercare di appendere questo prodotto tramite elementi non idonei o previsti allo scopo. Verificare inoltre l'idoneità del supporto (parete, soffitto, struttura ecc., al quale è ancorato il prodotto) e dei componenti utilizzati per il fissaggio (tasselli, viti, staffe non fornite da RCF ecc.) che devono garantire la sicurezza dell'impianto / installazione nel tempo, anche considerando, ad esempio, vibrazioni meccaniche normalmente generate da un trasduttore. Per evitare il pericolo di cadute, non sovrapporre fra loro più unità di questo prodotto, quando questa possibilità non è espressamente contemplata dal manuale istruzioni.

**9. La RCF S.p.A. raccomanda vivamente che l'installazione di questo prodotto sia eseguita solamente da installatori professionali qualificati (oppure da ditte specializzate) in grado di farla correttamente e certificarla in accordo con le normative vigenti.**

**Tutto il sistema audio dovrà essere in conformità con le norme e le leggi vigenti in materia di impianti elettrici.**

**10.** Sostegni e Carrelli

Se previsto, il prodotto va utilizzato solo su carrelli o sostegni consigliati dal produttore. L'insieme apparecchio-sostegno / carrello va mosso con estrema cura. Arresti improvvisi, spinte eccessive e superfici irregolari o inclinate possono provocare il ribaltamento dell'insieme.

**11.** Vi sono numerosi fattori meccanici ed elettrici da considerare quando si installa un sistema audio professionale (oltre a quelli prettamente acustici, come la pressione sonora, gli angoli di copertura, la risposta in frequenza, ecc.).

**12.** Perdita dell'udito

L'esposizione ad elevati livelli sonori può provocare la perdita permanente dell'udito. Il livello di pressione acustica pericolosa per l'udito varia sensibilmente da persona a persona e dipende dalla durata dell'esposizione. Per evitare un'esposizione potenzialmente pericolosa ad elevati livelli di pressione acustica, è necessario che chiunque sia sottoposto a tali livelli utilizzi delle adeguate protezioni; quando si fa funzionare un trasduttore in grado di produrre elevati livelli sonori è necessario indossare dei tappi per orecchie o delle cuffie protettive. Consultare i dati tecnici contenuti nei manuali istruzioni per conoscere le massime pressioni sonore che i diffusori acustici sono in grado di produrre.

**13.** Non ostruire le griglie di ventilazione dell'unità. Collocare il prodotto lontano da fonti di calore e garantire la circolazione dell'aria in corrispondenza delle griglie di aerazione.

**14.** Non sovraccaricare questo prodotto per lunghi periodi.

**15.** Non forzare mai gli organi di comando (tasti, manopole ecc.).

**16.** Non usare solventi, alcool, benzina o altre sostanze volatili per la pulitura delle parti esterne dell'unità; usare un panno asciutto.

## NOTA SUI CAVI PER SEGNALI AUDIO



Per evitare fenomeni di rumorosità indotta sui cavi che trasportano segnali dai microfoni o di linea (per esempio 0dB), usare solo cavi schermati ed evitare di posarli nelle vicinanze di:

- apparecchiature che producono campi elettromagnetici di forte intensità (per esempio trasformatori di grande di potenza);
- cavi di rete;
- linee che alimentano altoparlanti.

## NOTE IMPORTANTI





## DESCRIZIONE



La serie di amplificatori UP 8500 comprende 3 modelli con caratteristiche identiche, ma che differiscono (tra loro) nel numero di canali e nella potenza massima erogabile per canale:

- **UP 8501** 1 canale con potenza massima 500 W;
- **UP 8502** 2 canali, ciascuno con potenza massima 250 W;
- **UP 8504** 4 canali, ciascuno con potenza massima 125 W.

Ciascun canale audio ha 3 ingressi, tutti a livello "linea":

- **INPUT 1** Ingresso bilanciato a livello "linea" (per segnali da preamplificatori, basi microfoniche preamplificate, riproduttori di messaggi, ecc.);
- **INPUT 2** Ingresso bilanciato a livello linea (per segnali da preamplificatori, basi microfoniche preamplificate); può essere usato per il collegamento di sorgenti musicali stereo sbilanciate (es. lettore CD – MP3, sintonizzatore radio, ecc.);
- **IN TEST** Ingresso sbilanciato per segnale di verifica del funzionamento del canale.

L'ingresso INPUT 1 può ottenere la priorità (tramite contatto) sull'ingresso INPUT 2, il quale è disattivato quando la priorità è in corso.

L'ingresso TEST IN permette l'uso di un segnale di verifica del funzionamento del rispettivo canale.

L'ingresso TEST IN può ottenere la priorità (tramite contatto) sugli ingressi INPUT 1 e INPUT 2, i quali sono disattivati quando la priorità è in corso.

Le uscite per i diffusori acustici sono a tensione costante 70 V – 100 V (per diffusori con trasformatore).

Oltre al collegamento alla rete elettrica, l'amplificatore può essere alimentato in corrente continua tramite batterie (tensione: 48 V), per assicurarne il funzionamento anche quando l'alimentazione da rete è momentaneamente assente (o non disponibile).

Sul pannello frontale, sono presenti indicatori luminosi (LED) relativi allo stato (acceso – in "stand-by"), alle alimentazioni, alle protezioni ed ai livelli dei segnali audio.

## INSTALLAZIONE NEI RACK DA 19"



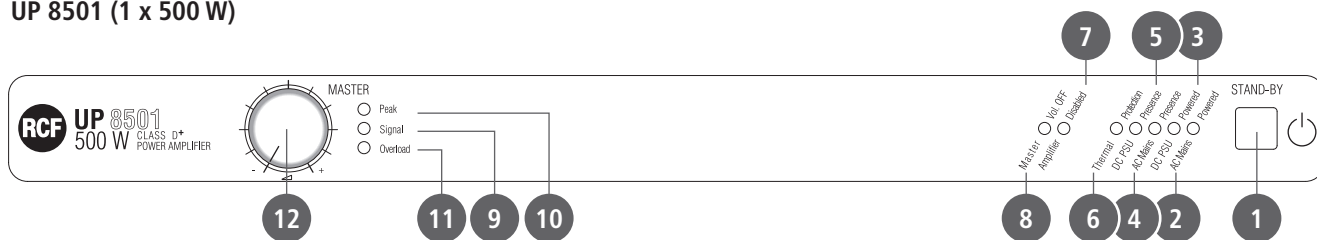
Fissare ogni amplificatore sul lato frontale del rack da 19" tramite 4 viti.

Gli amplificatori serie UP 8500 hanno la ventilazione forzata controllata da un termostato e possono essere sovrapposti senza intervallare spazi o pannelli d'aerazione.

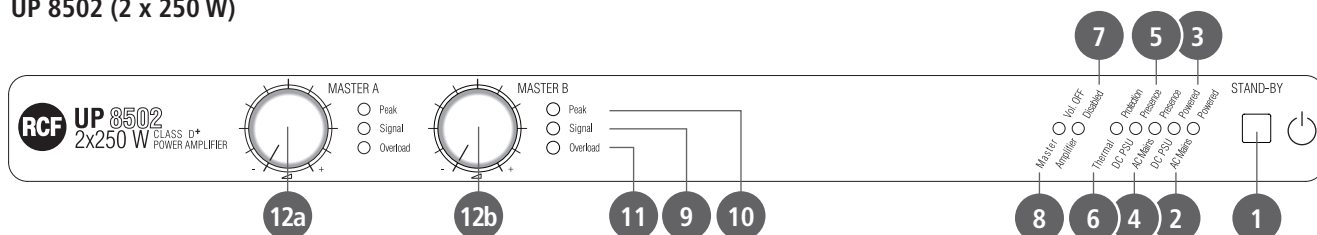
La circolazione dell'aria avviene in senso orizzontale, pertanto è necessario che gli spazi laterali siano liberi.



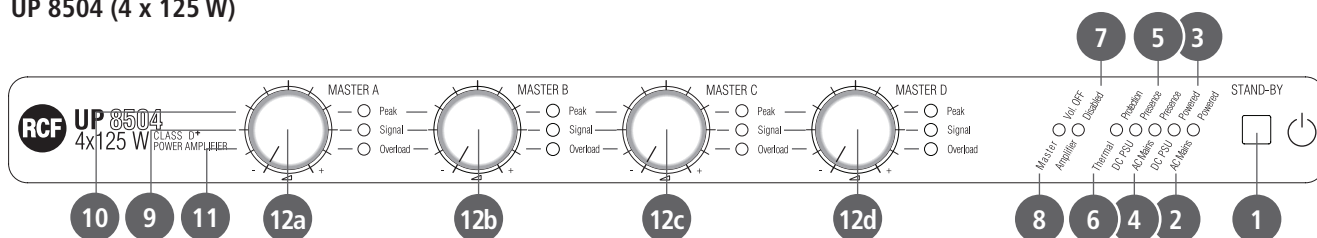
## UP 8501 (1 x 500 W)



## UP 8502 (2 x 250 W)



## UP 8504 (4 x 125 W)



1 Interruttore **STAND-BY** per l'accensione dell'apparecchio o la messa in modalità di "stand-by" (spento, ma in attesa). L'interruttore STAND-BY è ininfluenza (e l'amplificatore è sempre acceso) se è presente l'alimentazione secondaria 48 V c.c. tramite batterie (collegate al rispettivo ingresso [20]).

2 LED **AC Mains Powered**: (quando acceso) funzionamento in corso tramite alimentazione da rete elettrica (115 - 230 V c.a.).

3 LED **DC PSU Powered**: LED: (quando acceso) funzionamento in corso tramite alimentazione da batterie (48 V c.c.).

4 LED **AC Mains Presence**: (quando acceso) presenza dell'alimentazione (115 - 230 V c.a.) da rete elettrica.

5 LED **DC PSU Presence**: (quando acceso) presenza dell'alimentazione 48 V c.c. tramite batterie.

6 LED **Thermal Protection**: (quando acceso) intervento della protezione termica (nessun segnale è inviato alle uscite).

7 LED **Amplifier Disabled**: (quando acceso) l'amplificatore è stato disabilitato tramite il comando "Amplifier Disable" [17].

8 LED **Master Vol. OFF**: (quando acceso) disattivazione di tutti i controlli MASTER [12] del volume (i volumi dipendono dalle regolazioni remote sui contatti "Rem Vol" [16]).

**9 LED Signal:** (quando acceso) livello del segnale è uguale o superiore a  $-20$  dB. Nei modelli UP 8502 e UP 8504, ogni LED indica il livello del segnale nel rispettivo canale.

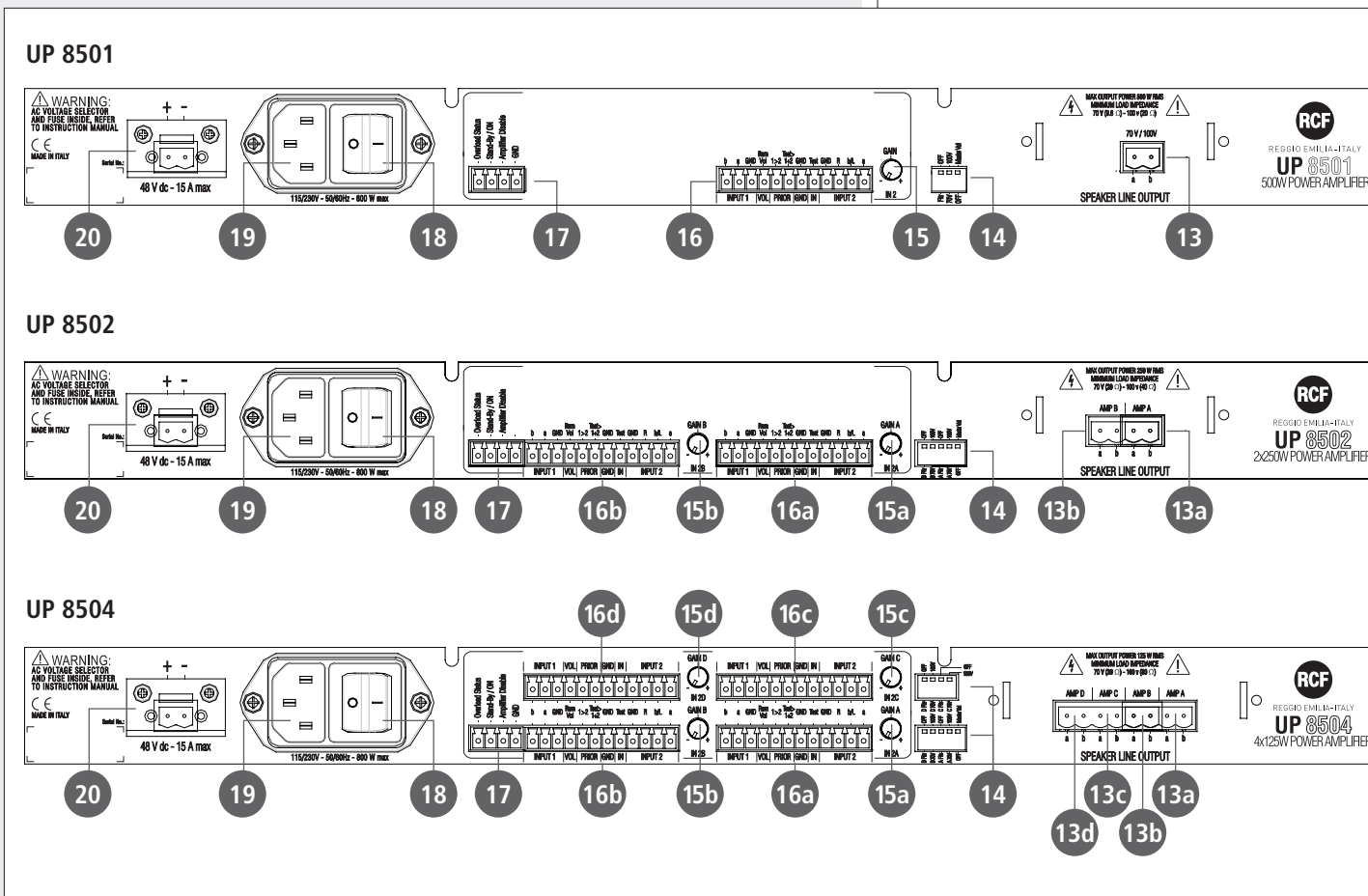
**10 LED Peak:** (quando acceso) livello del segnale (0 dB, picco) che permette di ottenere la massima potenza erogata dall'amplificatore ed è la soglia d'intervento del limitatore. Nei modelli UP 8502 e UP 8504, ogni LED indica il livello massimo del segnale nel rispettivo canale. La sua accensione saltuaria è normale, mentre è consigliabile abbassare il rispettivo volume MASTER quando il LED è costantemente acceso.

**11 LED Overload:** (quando acceso) il rispettivo canale è in protezione per sovraccarico (nessun segnale è inviato all'uscita relativa).

**12 Controllo di volume MASTER**

Nei modelli UP 8502 e UP 8504, è il controllo di volume di ciascun canale [12a] [12b] [12c] [12d].

## PANNELLO POSTERIORE



### 13 SPEAKER LINE OUTPUT

**UP 8501:** uscita dell'amplificatore per il collegamento della linea a tensione costante (70 / 100 V) per diffusori acustici (corredati di trasformatore). Potenza massima erogabile: 500 W.

**UP 8502:** 2 uscite ([13a]: canale A; [13b]: canale B) dell'amplificatore per il collegamento di 2 linee a tensione costante (70 / 100 V) per diffusori acustici (corredati di trasformatore). Potenza massima erogabile: 250 W per ciascun canale.

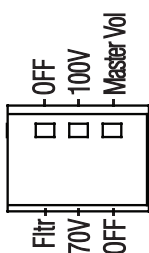
**UP 8504:** 4 uscite ([13a]: canale A; [13b]: canale B; [13c]: canale C; [13d]: canale D) dell'amplificatore per il collegamento di 4 linee a tensione costante (70 / 100 V) per diffusori acustici (corredati di trasformatore). Potenza massima erogabile: 125 W per ciascun canale.

VEDERE LA SEZIONE "COLLEGAMENTO DEI DIFFUSORI ACUSTICI".



14 Microinterruttori (dip-switch)

**UP 8501**



**Filtr – OFF**

**Filtr:** inserimento del filtro passa-banda (200 Hz ÷ 8 kHz).

**OFF:** il filtro passa-banda è disinserito.

**70V – 100V**

**70V:** l'uscita dell'amplificatore ([13]) per i diffusori è impostata a 70 V.

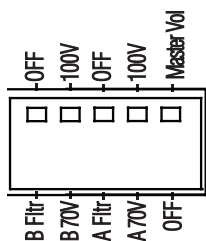
**100V:** l'uscita dell'amplificatore ([13]) per i diffusori è impostata a 100 V.

**OFF – Master Vol**

**OFF:** il controllo MASTER ([12]) del volume è disabilitato (il volume dipende dalla regolazione remota).

**Master Vol:** il controllo MASTER ([12]) del volume è abilitato.

**UP 8502**



**B Filtr – OFF**

**B Filtr:** inserimento del filtro passa-banda del canale B.

**OFF:** il filtro passa-banda del canale B è disinserito.

**B 70V – 100V**

**70V:** l'uscita del canale B ([13b]) per i diffusori è impostata a 70 V.

**100V:** l'uscita del canale B ([13b]) per i diffusori è impostata a 100 V.

**A Filtr – OFF**

**A Filtr:** inserimento del filtro passa-banda del canale A.

**OFF:** il filtro passa-banda del canale A è disinserito.

**A 70V – 100V**

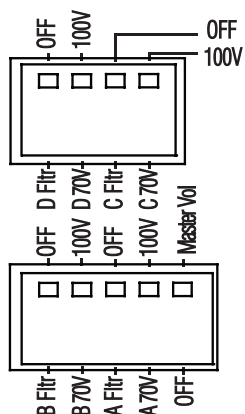
**70V:** l'uscita del canale A ([13a]) per i diffusori è impostata a 70 V.

**100V:** l'uscita del canale A ([13a]) per i diffusori è impostata a 100 V.

**OFF – Master Vol**

**OFF:** tutti i controlli MASTER ([12a] [12b]) del volume sono disabilitati (i volumi dipendono dalle regolazioni remote).

**Master Vol:** tutti i controlli MASTER ([12a] [12b]) del volume sono abilitati.



<b>D Fltr – OFF</b>	<b>D Fltr:</b> inserimento del filtro passa-banda del canale D.	<b>OFF:</b> il filtro passa-banda del canale D è disinserito.
<b>D 70V – 100V</b>	<b>70V:</b> l'uscita del canale D [13d] per i diffusori è impostata a 70 V.	<b>100V:</b> l'uscita del canale D [13d] per i diffusori è impostata a 100 V.
<b>C Fltr – OFF</b>	<b>C Fltr:</b> inserimento del filtro passa-banda del canale C.	<b>OFF:</b> il filtro passa-banda del canale C è disinserito.
<b>C 70V – 100V</b>	<b>70V:</b> l'uscita del canale C [13c] per i diffusori è impostata a 70 V.	<b>100V:</b> l'uscita del canale C [13c] per i diffusori è impostata a 100 V.
<b>B Fltr – OFF</b>	<b>B Fltr:</b> inserimento del filtro passa-banda del canale B.	<b>OFF:</b> il filtro passa-banda del canale B è disinserito.
<b>B 70V – 100V</b>	<b>70V:</b> l'uscita del canale B [13b] per i diffusori è impostata a 70 V.	<b>100V:</b> l'uscita del canale B [13b] per i diffusori è impostata a 100 V.
<b>A Fltr – OFF</b>	<b>A Fltr:</b> inserimento del filtro passa-banda del canale A.	<b>OFF:</b> il filtro passa-banda del canale A è disinserito.
<b>A 70V – 100V</b>	<b>70V:</b> l'uscita del canale A [13a] per i diffusori è impostata a 70 V.	<b>100V:</b> l'uscita del canale A [13a] per i diffusori è impostata a 100 V.
<b>OFF – Master Vol</b>	<b>OFF:</b> tutti i controlli MASTER [12a] [12b] [12c] [12d] del volume sono disabilitati (i volumi dipendono dalle regolazioni remote).	<b>Master Vol:</b> tutti i controlli MASTER [12a] [12b] [12c] [12d] del volume sono abilitati.

L'INSERIMENTO DEI FILTRI PASSA-BANDA (UNO PER CIASCUN CANALE, BANDA PASSANTE: 200 Hz ÷ 8 kHz) È CONSIGLIABILE IN ALCUNE SITUAZIONI, AD ESEMPIO:

- QUANDO SI UTILIZZANO DIFFUSORI ACUSTICI A TROMBA;
- NEI SISTEMI PER ANNUNCI PER MIGLIORARE L'INTELLIGIBILITÀ DELLA VOCE IN AMBIENTI MOLTO RIVERBERANTI;
- PER TAGLIARE EVENTUALI DISTURBI SULLE BASSE E/O ALTE FREQUENZE.

SE SI DESIDERA LA DIFFUSIONE DELLA MUSICA CON BUONA FEDELTA', È NECESSARIO DISATTIVARE I FILTRI.

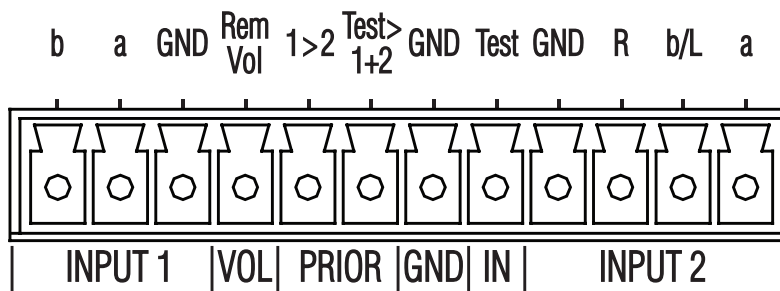
**15** Controllo **IN2 GAIN:** regolazione del guadagno dell'ingresso audio **INPUT 2** [16]. Ruotare il controllo in senso orario per aumentare il guadagno (ingresso più sensibile) oppure in senso antiorario per diminuirlo.

Nel modelli UP 8502 e UP 8504, ogni controllo IN2 GAIN regola il guadagno del rispettivo canale.

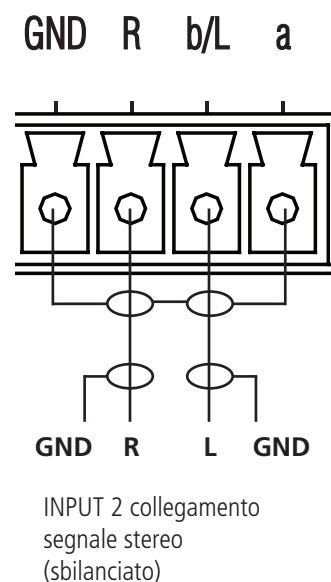
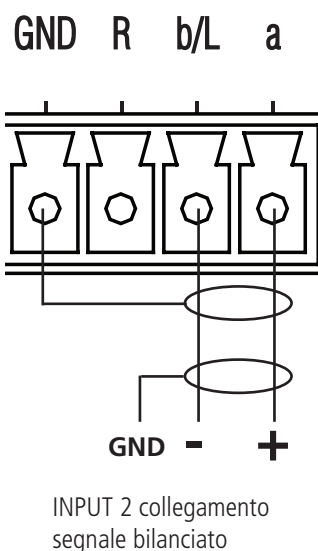
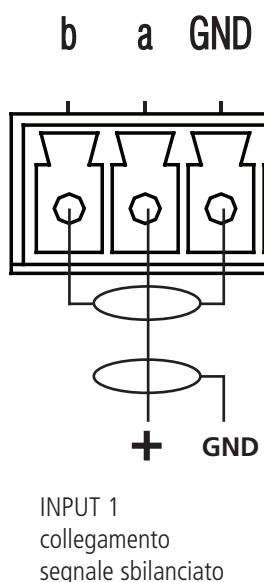
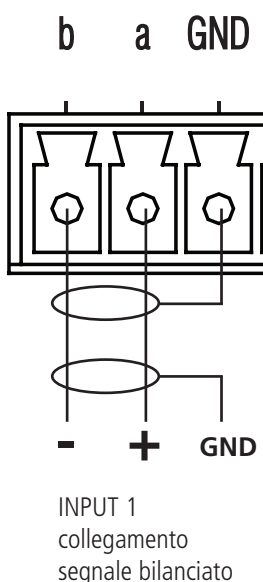


<b>IN2A GAIN A</b>	Regolazione del guadagno dell'ingresso audio <b>INPUT 2</b> [16a] del canale A
<b>IN2B GAIN B</b>	Regolazione del guadagno dell'ingresso audio <b>INPUT 2</b> [16b] del canale B
<b>IN2C GAIN C</b>	Regolazione del guadagno dell'ingresso audio <b>INPUT 2</b> [16c] del canale C
<b>IN2D GAIN D</b>	Regolazione del guadagno dell'ingresso audio <b>INPUT 2</b> [16d] del canale D

16 Connettori rimovibili (UP 8502 e UP 8504: una morsettiere per ciascun canale)



INPUT 1	b	Ingresso audio 1, terminale b
	a	Ingresso audio 1, terminale a
	GND	Ingresso audio 1, massa
VOL	Rem Vol	Collegamento per controllo remoto del volume
PRIOR	1 > 2	Contatto che, se messo a massa (GND – GND), attiva la priorità dell'ingresso INPUT 1, disattivando l'ingresso INPUT 2
	Test > 1 + 2	Contatto che, se messo a massa (GND – GND), attiva la priorità dell'ingresso IN – Test, disattivando entrambi gli ingressi INPUT 1 e 2
GND	GND	Massa comune ai contatti di priorità PRIOR
IN	Test	Ingresso per il "segnale di test" (per la verifica del funzionamento). Dato che questo ingresso è sempre aperto, è consigliabile porlo a massa (GND), se inutilizzato, tramite un conduttore.
INPUT 2	GND	Ingresso audio 2, massa
	R	Ingresso audio 2, canale destro R segnale stereo
	b / L	Ingresso audio 2, terminale b oppure canale sinistro L segnale stereo
	a	Ingresso audio 2, terminale a



I 2 CANALI (DESTRO E SINISTRO) DI UN SEGNALE AUDIO STEREO COLLEGATO ALL'INGRESSO INPUT 2 SONO SOMMATI IN MONO.



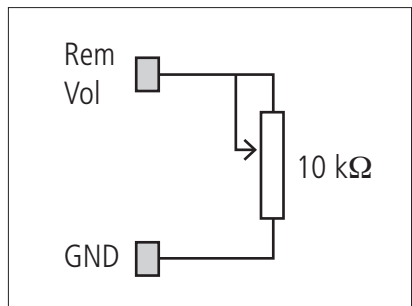
### REGOLAZIONE REMOTA DEL VOLUME

La regolazione si ottiene ponendo il dip-switch "Master Vol" [14] su OFF e collegando un potenziometro remoto (che funge da reostato) tra il contatto "Rem Vol" e la massa "GND - GND".

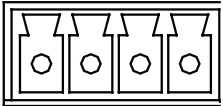
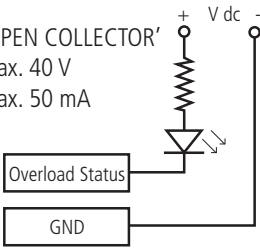
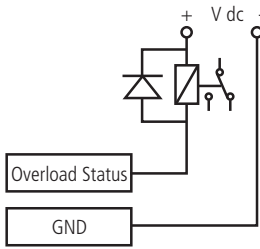
Si consiglia l'utilizzo di un potenziometro a curva logaritmica inversa da 10 kΩ.

**IMPORTANTE:** Quando il dip-switch "Master Vol" è posto su OFF e se non è previsto l'uso di potenziometri per alcuni o tutti i controlli remoti, è necessario porre in cortocircuito i rispettivi contatti verso massa (tramite un conduttore) in modo da ottenere il volume massimo, altrimenti il volume del rispettivo canale è posto a zero.

### REGOLAZIONE REMOTA DEL VOLUME



17 Connettori rimovibili

<ul style="list-style-type: none"> <li>- Overload Status</li> <li>- Stand-By / ON</li> <li>- Amplifier Disable</li> <li>- GND</li> </ul> 	<p><b>Overload Status</b></p>	<div style="display: flex; justify-content: space-around;"> <div style="text-align: center;">  <p>A</p> </div> <div style="text-align: center;">  <p>B</p> </div> </div> <p>'OPEN COLLECTOR' max. 40 V max. 50 mA</p> <p>Segnalazione di sovraccarico dell'amplificatore, utilizzabile, ad esempio, per un LED (figura A) oppure un relè (figura B). Circuito a "collettore aperto". Massima tensione applicabile: 40 V c.c. Portata massima: 50 mA</p>
	<p><b>Stand-By / ON</b></p>	<p>Comando posto in parallelo all'interruttore POWER [1] sul pannello frontale. Quando collegato a massa (GND), si effettua l'accensione (remota) dell'amplificatore.</p>
	<p><b>Amplifier Disable</b></p>	<p>Quando collegato a massa (GND): disabilitazione dell'amplificatore per risparmio energetico e/o selezione di zona.</p>
	<p><b>GND</b></p>	<p>Contatto comune ai tre precedenti (massa)</p>

- 18 Interruttore principale dell'amplificatore  
I = acceso      O = spento

L'INTERRUTTORE PRINCIPALE NON INTERVIENE SULL'ALIMENTAZIONE DA BATTERIE (48 V c.c.).

- 19 Connettore per il cavo d'alimentazione da rete.

Prima di alimentare questo prodotto, assicurarsi che tutte le connessioni siano corrette e che la tensione della vostra rete di alimentazione corrisponda quella di targa dell'apparecchio.

Il selettore di tensione ed il fusibile di protezione sono all'interno dell'amplificatore; riferirsi alla rispettiva sezione del manuale.

- 20 Ingresso per alimentazione secondaria 48 V c.c. tramite batterie, necessaria per assicurare il funzionamento dell'amplificatore anche quando l'alimentazione da rete è assente.

Assicurarsi che la polarità + / - del collegamento sia corretta ed utilizzare un cavo con conduttori di sezione adeguata (consigliata: 4 mm<sup>2</sup>) alla portata massima (15 A).



## COLLEGAMENTO DEI DIFFUSORI ACUSTICI



Collegare in fase tutti i diffusori acustici.

Ogni diffusore deve avere un trasformatore di linea con tensione d'ingresso uguale a quella della linea (70 / 100 V).

### UP 8501

Dopo aver impostato la tensione d'uscita dell'amplificatore tramite il dip-switch 70V – 100V [14] collegare il conduttore positivo della linea diffusori al contatto "a" dell'uscita dell'amplificatore [13] ed il conduttore negativo al contatto "b". La somma delle potenze di tutti i diffusori collegati non deve essere superiore a quella massima d'uscita dell'amplificatore (500 W).

### UP 8502

Sono presenti 2 uscite indipendenti (2 canali): **AMP A** [13a] e **AMP B** [13b].

Prima di effettuare il collegamento, impostare la tensione di entrambe le uscite tramite i dip-switch **A 70V – 100V** (AMP A) e **B 70V – 100V** (AMP B) [14]. La somma delle potenze di tutti i diffusori di un singolo canale (collegati ad una delle 2 uscite disponibili) non deve essere superiore a 250 W. Il collegamento dei diffusori si effettua come già indicato per il modello UP 8501.

### UP 8504

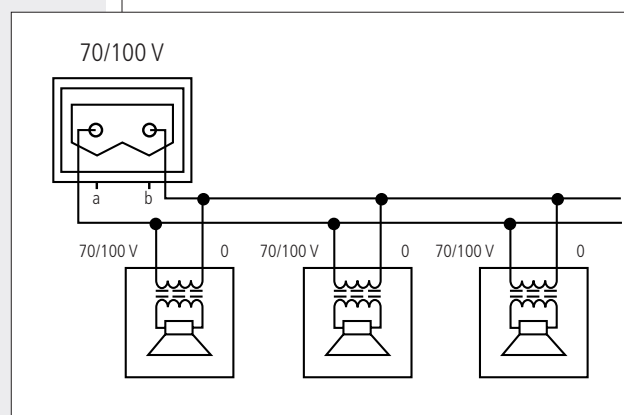
Sono presenti 4 uscite indipendenti (4 canali):

**AMP A** [13a], **AMP B** [13b], **AMP C** [13c] e **AMP D** [13d].

Prima di effettuare il collegamento, impostare la tensione di ogni uscita tramite i dip-switch **A 70V – 100V** (AMP A), **B 70V – 100V** (AMP B), **C 70V – 100V** (AMP C), **D 70V – 100V** (AMP D) [14].

La somma delle potenze di tutti i diffusori di un singolo canale (collegati ad una delle 4 uscite disponibili) non deve essere superiore a 125 W.

Il collegamento dei diffusori si effettua come già indicato per il modello UP 8501.





# CAMBIO TENSIONE DI FUNZIONAMENTO DELL'APPARECCHIO



**IMPORTANTE:** LA PRESENTE SEZIONE DEL MANUALE RIGUARDA IL SOLO PERSONALE QUALIFICATO. LE SEGUENTI OPERAZIONI **NON** DEVONO ESSERE EFFETTUATE DIRETTAMENTE DALL'UTENTE.

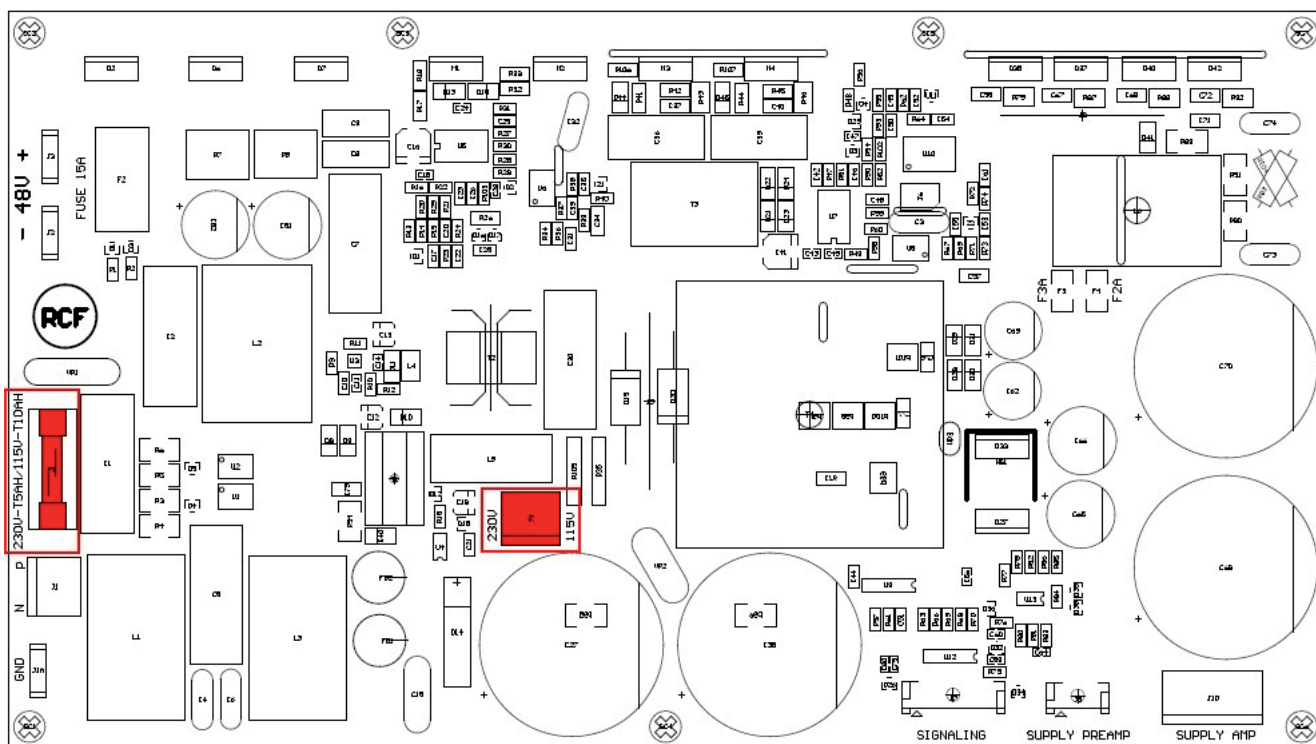
**IMPORTANTE**



Togliere la tensione dall'apparecchio (staccando il cavo d'alimentazione dalla presa di rete).

Rimuovere il coperchio superiore dell'apparecchio.

Il selettore di tensione "J4" (230 V – 115 V) si trova sul circuito stampato dell'alimentatore (circa al centro). Porre (o lasciare, se già impostato correttamente) il connettore nella posizione corrispondente alla tensione di rete (230 V oppure 115 V), in accordo con la serigrafia del circuito stampato.



CIRCUITO STAMPATO DELL'ALIMENTATORE

Prima di collegare l'apparecchio alla rete elettrica, assicurarsi che il fusibile F1 (a sinistra nel disegno del circuito stampato dell'alimentatore) sia quello corretto per la tensione in uso:

- **230 V** – T5AH (250 V)
- **115 V** – T10AH (250 V).



	UP 8501	UP 8502	UP 8504
<b>Nr. canali x potenza d'uscita (RMS)</b>	1 x 500 W	2 x 250 W	4 x 125 W
<b>Risposta in frequenza <math>\pm 3</math> dB</b>	40 Hz $\div$ 16 kHz		
<b>Filtri passa-banda (12 dB / ott)</b>	200 Hz $\div$ 8 kHz (banda passante)		
<b>Distorsione e rumore (a potenza max.)</b>	max. 0,3%		
<b>Rapporto segnale / rumore (IEC-A)</b>	86 dB		
<b>Diafonia tra canali</b>	–	70 dB	60 dB
<b>Sensibilità ingresso INPUT 1</b>	0 dBu (775 mV, max. 7 V)		
<b>Sensibilità ingresso INPUT 2</b>	0 $\div$ –20 dBu (775 $\div$ 78 mV, max. 7 V)		
<b>Sensibilità ingresso IN TEST</b>	0 dBu (775 mV)		
<b>Impedenza ingressi</b>	10 k $\Omega$		
<b>Impedenza minima del carico per ciascuna linea a 70V</b>	10 $\Omega$	20 $\Omega$	40 $\Omega$
<b>Impedenza minima del carico per ciascuna linea a 100V</b>	20 $\Omega$	40 $\Omega$	80 $\Omega$
<b>Limitatore di segnale eccessivo</b>	20 dB		
<b>Protezione amplificatore</b>	sovraccarico, surriscaldamento		
<b>Protezione alimentazione</b>	fusibile		
<b>Tensione di alimentazione</b>	Da rete: 115 – 230V c.a. $\pm 10\%$ , 50 – 60 Hz (cambio tensione interno) Batterie: 48 V c.c. $\pm 10\%$		
<b>Potenza assorbita, AC stand-by</b>	3 W		
<b>Potenza assorbita, amp. disabilitato</b>	13 W	15 W	20 W
<b>Potenza assorbita, nessun segnale</b>	25 W	36 W	50 W
<b>Potenza assorbita, segnale musicale</b>	160 W		
<b>Potenza assorbita, max. potenza d'uscita</b>	650 W		
<b>Potenza assorbita, max. sovraccarico</b>	800 W		
<b>Temperatura di funzionamento</b>	0 $\div$ 55 $^{\circ}$ C, umidità rel. max. 90%		
<b>Temperatura di stoccaggio</b>	–10 $\div$ 70 $^{\circ}$ C		
<b>Dimensioni (l, h, p)</b>	482 mm, 44 mm, 375 mm (1 unità rack 19")		
<b>Peso netto</b>	5,1 kg	5,3 kg	5,5 kg





[www.rcfaudio.com](http://www.rcfaudio.com)

**RCF SpA:** Via Raffaello, 13 - 42124 Reggio Emilia > Italy  
tel. +39 0522 274411 - fax +39 0522 274484 - e-mail: [rcfservice@rcf.it](mailto:rcfservice@rcf.it)

103 07 237 RevC