

MINI FOCUS LED PROJECTOR

FULL COLOUR



User's Manual Rel 1.3 **GB**

D.T.S. Illuminazione srl - ITALY
<http://www.dts-lighting.it>



The Lighting Company

Made in Italy

Le informazioni contenute in questo documento sono state attentamente redatte e controllate. Tuttavia non è assunta alcuna responsabilità per eventuali inesattezze. Tutti i diritti sono riservati e questo documento non può essere copiato, fotocopiato, riprodotto per intero o in parte senza previo consenso scritto della D.T.S .

D.T.S si riserva il diritto di apportare senza preavviso cambiamenti e modifiche estetiche , funzionali o di design a ciascun proprio prodotto. D.T.S non assume alcuna responsabilità sull'uso o sull'applicazione dei prodotti o dei circuiti descritti.

The information contained in this publication has been carefully prepared and checked. However, no responsibility will be taken for any errors. All rights are reserved and this document cannot be copied, photocopied or reproduced, in part or completely, without prior written consent from D.T.S. D.T.S. reserves the right to make any aesthetic, functional or design modifications to any of its products without prior notice. D.T.S. assumes no responsibility for the use or application of the products or circuits described herein.

Les informations contenues dans le présent manuel ont été rédigées et contrôlées avec le plus grand soin. Nous déclinons toutefois toute responsabilité en cas d'éventuelles inexactitudes. Tous droits réservés. Ce document ne peut être copié, photocopié ou reproduit, dans sa totalité ou partiellement, sans le consentement préalable de D.T.S.

D.T.S. se réserve le droit d'apporter toutes modifications et améliorations esthétiques, fonctionnelles ou de design, sans préavis, à chacun de ses produits. D.T.S. décline toute responsabilité sur l'utilisation ou sur l'application des produits ou des circuits décrits.

Las informaciones contenidas en este documento han sido cuidadosamente redactadas y controladas. Con todo, no se asume ninguna responsabilidad por eventuales inexactitudes. Todos los derechos han sido reservados y este documento no puede ser copiado, fotocopiado o reproducido, total o parcialmente, sin previa autorización escrita de D.T.S.

D.T.S. se reserva el derecho a aportar sin previo aviso cambios y modificaciones de carácter estético, funcional o de diseño a cada producto suyo. D.T.S. no se asume responsabilidad de ningún tipo sobre la utilización o sobre la aplicación de los productos o de los circuitos descritos.

DESCRIPTION

MINI FOCUS FULL COLOUR

MINI FOCUS FULL COLOUR is a new compact LED projector designed for fixed installation on walls or trusses (fitted with a fixing bracket). MINI FOCUS FULL COLOUR light source is composed of 1 x 3W Full colour LEDs which can independently generate 16 million colours.

Colour temperature can be controlled linearly from 3200°K to 5500°K.

Two interchangeable optical units are available for each model (Medium flood, Wide flood).

Set-up and connection of the units to the dedicated Z1 or Z4 power supply / LED controllers is fast and easy, thanks to a special T-BOX RJ12 connection system. MINI FOCUS FULL COLOUR can be controlled via any DMX lighting console (External power supply needed). MINI FOCUS FULL COLOUR is made on aluminium and stainless steel, offering an Ip65 protection rating, and can be used either indoor or outdoor.

MINI FOCUS FULL COLOUR (Medium flood) (Cod. 03.LDB037.F25) Medium flood lenses

MINI FOCUS FULL COLOUR (Wide flood) (Cod. 03.LDB037.F40) Wide flood lenses

All models are available in grey (RAL 9006), grey glitter or other colours on demand.

LED technology

1 x 3W Full colour LEDs;

No infrared emission; no ultraviolet emission

LEDs average lifespan: 100.000 hours

Optical units

2 lenses sets available (Medium flood, Wide flood)

Control

Via any DMX lighting console (External power supply needed).

Protection

Ip65 protection level against the penetration of solids and liquids

Construction

MINI FOCUS is made on aluminium and stainless steel

Power supply

Dedicated Z1, Z4, Z30 or Z60 power supply / LED controllers

Standard accessories

Exagonal bolt for fixed installation and knob

Connection

Dedicated T-BOX RJ12 connection system

ACCESSORIES

• **Lenses set Medium flood (Cod. Cod. 0506A008)**

• **Lenses set Wide flood (Cod. Cod. 0506A009)**

• Z1 power supply / LED controller (Cod. 03.LA.009)

• Z1 OUTDOOR power supply / LED controller (Cod. 03.LA.009.IP65)

• Z4 RACK power supply / LED controller (Cod. 03.LA.014)

• IR receiver for Z1/Z4 (Cod. 03.LA.016)

• T-BOX RJ12 (Cod. 03.LA.001)

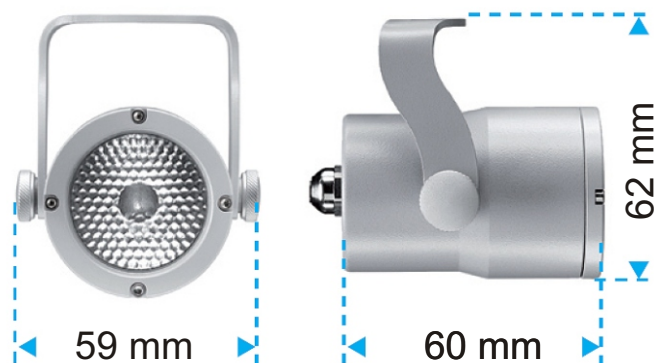
• T-BOX RJ12 OUTDOOR (Cod. 03.LA.001.IP65)

• RJ12 6-pole male connector (Cod. 0508B058)

• 8-pole cable for RJ connectors (Cod. 0509C054)

• 6-pole flat cable for RJ connectors (Cod. 0509C053)

• Crimping tool for RJ connectors (Cod. 0508A036)



DESCRIPTION

MINI FOCUS R FULL COLOUR

MINI FOCUS R FULL COLOUR is a new compact LED projector designed for recessed installation by embedding in floors (featuring a reinforced structure offering high resistance to mechanical stress). MINI FOCUS R FULL COLOUR light source is composed of 1 x 3W Full colour LEDs which can independently generate 16 million colours.

Colour temperature can be controlled linearly from 3200°K to 5500°K.

Two interchangeable optical units are available for each model (Medium flood, Wide flood).

Set-up and connection of the units to the dedicated Z1 or Z4 power supply / LED controllers is fast and easy, thanks to a special T-BOX RJ12 connection system.

MINI FOCUS R FULL COLOUR can be controlled via any DMX lighting console (External power supply needed).

MINI FOCUS R FULL COLOUR is made on aluminium and stainless steel, offering an Ip65 protection rating, and can be used either indoor or outdoor.

MINI FOCUS R FULL COLOUR (Medium flood) (Cod. 03.LDB040.F25) Medium flood lenses

MINI FOCUS R FULL COLOUR (Wide flood) (Cod. 03.LDB040.F40) Wide flood lenses

LED technology

1 x 3W Full colour LEDs;

No infrared emission; no ultraviolet emission

LEDs average lifespan: 100.000 hours

Optical units

2 lenses sets available (Medium flood, Wide flood)

Control

Via any DMX lighting console (External power supply needed).

Protection

Ip65 protection level against the penetration of solids and liquids

Construction

MINI FOCUS R is made on aluminium and stainless steel

Power supply

Dedicated Z1, Z4, Z30 or Z60 power supply / LED controllers

Connection

Dedicated T-BOX RJ12 connection system

ACCESSORIES

• Lenses set Medium flood (Cod. Cod. 0506A008)

• Lenses set Wide flood (Cod. Cod. 0506A009)

- Z1 power supply / LED controller (Cod. 03.LA.009)
- Z1 OUTDOOR power supply / LED controller (Cod. 03.LA.009.IP65)
- Z4 RACK power supply / LED controller (Cod. 03.LA.014)
- IR receiver for Z1/Z4 (Cod. 03.LA.016)
- T-BOX RJ12 (Cod. 03.LA.001)
- T-BOX RJ12 OUTDOOR (Cod. 03.LA.001.IP65)
- RJ12 6-pole male connector (Cod. 0508B058)
- 8-pole cable for RJ connectors (Cod. 0509C054)
- 6-pole flat cable for RJ connectors (Cod. 0509C053)
- Crimping tool for RJ connectors (Cod. 0508A036)



IMPORTANT SAFETY INFORMATION**Fire prevention:**

Never locate the fixture on any flammable surface.
Minimum distance from flammable materials: 10 cm

Safety:

The external surface of the unit may exceed 50°C, never handle the unit until at least 5 minutes have elapsed since the unit was turned off.

Never install the unit in an enclosed area lacking sufficient air flow.

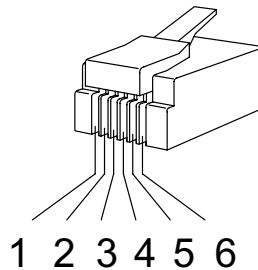
The ambient temperature should not exceed 40°C and should not be lower than -10°C.

WIRING DIAGRAM

MINI FOCUS LED PROJECTOR is provided with a RJ12 connector

RJ12 : 6P6C

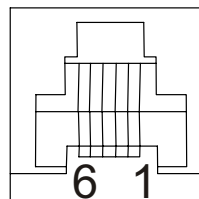
6P6C indicates 6 positions 6 cables



**6-pin Male (RJ12)
Modular Plug**

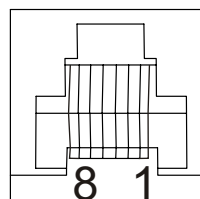
Pin 1 = RED +
Pin 2 = RED -
Pin 3 = GREEN +
Pin 4 = GREEN -
Pin 5 = BLUE +
Pin 6 = BLUE -

Z30 / Z60 power supply LED output
connector



6-pin Female (RJ12)

Z1 / Z4 power supply LED output
connector



8-pin Female (RJ45)

RJ45 : 8P8C

8P8C indicates 8 positions 8 cables

**8 pin Female (RJ45)
Output panel connector**

Pin 1 = RED +
Pin 2 = RED -
Pin 3 = GREEN +
Pin 4 = GREEN -
Pin 5 = BLUE +
Pin 6 = BLUE -
Pin 7 = AMBER +
Pin 8 = AMBER -

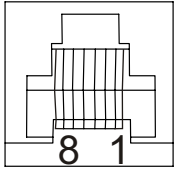
For application where Ip65 rating is not necessary, MINI FOCUS FULL COLOUR LED PROJECTOR cabling connection can be done with a standard UTP TIA/EIA 568-B2 category 5E cable.

The maximum distance between power supply and the last MINIFOCUS unit on the line should not exceed 100 meters.

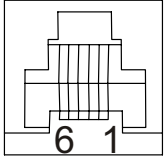
For Ip65 rating application, D.T.S. recommends the use of a Ip65 cable as the 4X2XAWG24 multipolar black outdoor cable Ip68 rated (D.T.S. Code: 0509C062).

The maximum distance between power supply and the last MINIFOCUS unit on the line should not exceed 100 meters.

WIRING CONNECTIONS



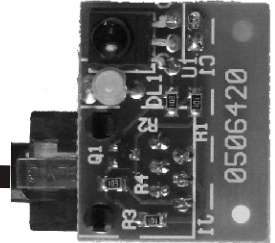
8-pin Female (RJ45)



6-pin Female (RJ12)



D.T.S. INFRARED
REMOTE SENSOR
CODE 03.LA.016

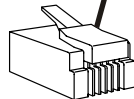


D.T.S. T-BOX
CODE 03.LA.001

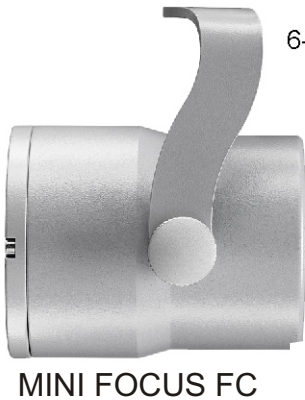


MINI FOCUS FC

1

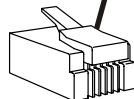


6-pin Male (RJ12)
Modular Plug



MINI FOCUS FC

2

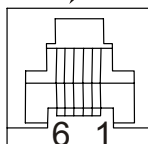


6-pin Male (RJ12)
Modular Plug



MINI FOCUS FC

3



6-pin Female (RJ12)

IMPORTANT:

The maximum number of MINI FOCUS FULL COLOUR connectable to the Z1 Power supply is 15 pcs.

The minimum number of MINI FOCUS FULL COLOUR connectable to the Z1 Power supply is 3 pcs.

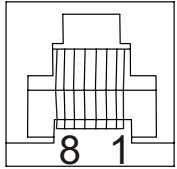
Never plug the cable coming from the Power supply into OUT 1 or OUT 2 of the T-BOX when other MINI FOCUS are connected, because a wrong connection can seriously damage the lamps.

Never plug in a new MINI FOCUS when the power supply is turned on.

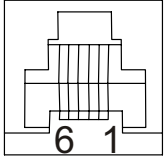


MINI FOCUS FC

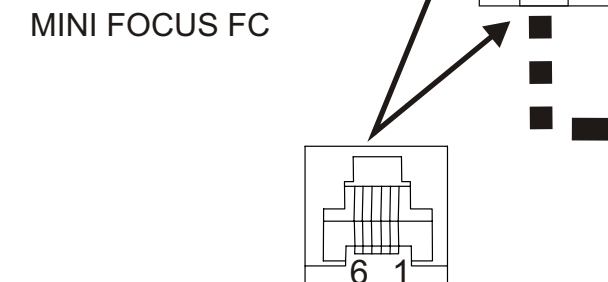
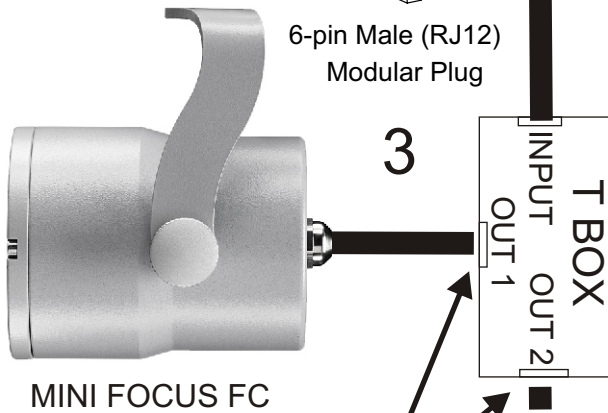
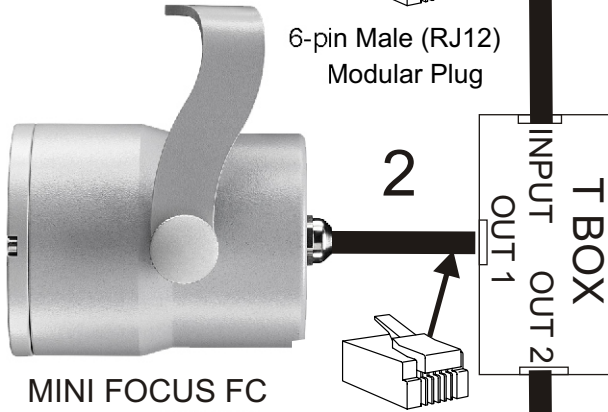
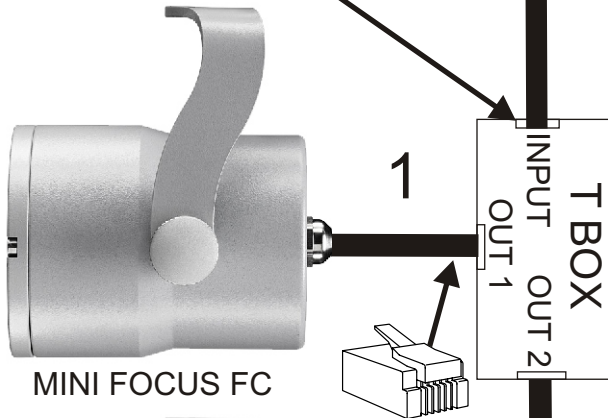
WIRING CONNECTIONS



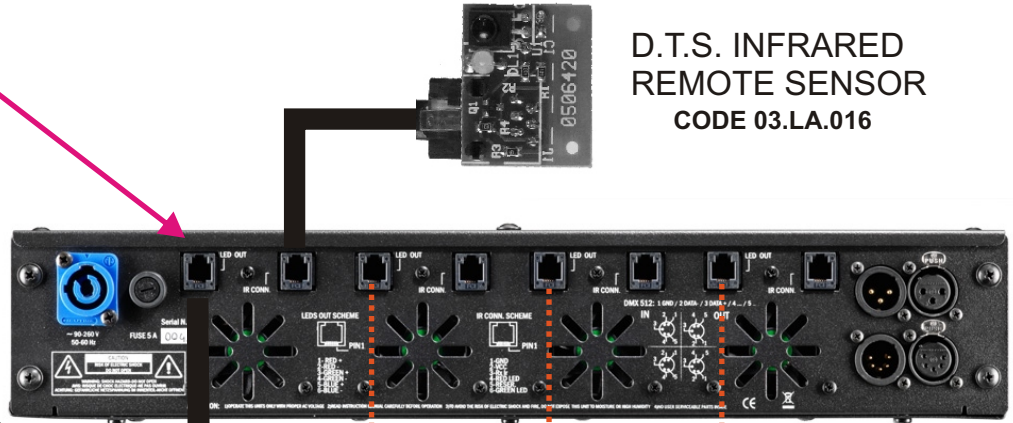
8-pin Female (RJ45)



6-pin Female (RJ12)

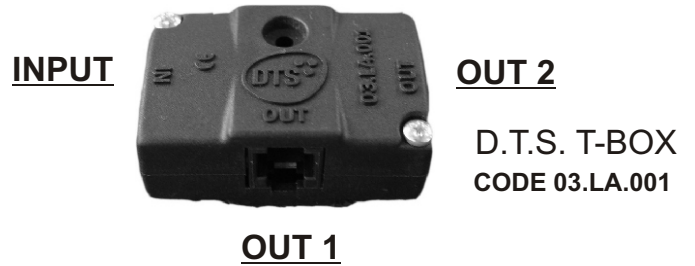


6-pin Female (RJ12)



D.T.S. INFRARED
REMOTE SENSOR
CODE 03.LA.016

LEDS OUT 4
LEDS OUT 3
LEDS OUT 2



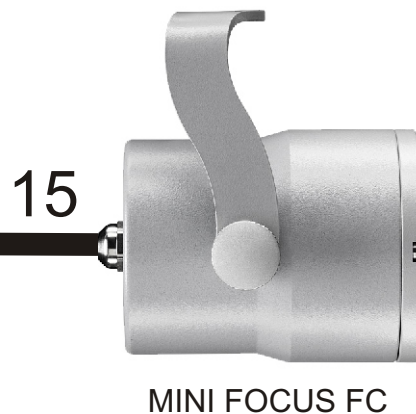
IMPORTANT:

The maximum number of MINI FOCUS FULL COLOUR connectable to each Z4 LEDs output is 15 pcs.

The minimum number of MINI FOCUS FULL COLOUR connectable to each Z4 LEDs output is 3 pcs.

Never plug the cable coming from the Power supply into OUT 1 or OUT 2 of the T-BOX when other MINI FOCUS are connected, because a wrong connection can seriously damage the lamps.

Never plug in a new MINI FOCUS when the power supply is turned on.



MINI FOCUS FC

The information contained in this publication has been carefully prepared and checked. However, no responsibility will be taken for any errors. All rights are reserved and this document cannot be copied, photocopied or reproduced, in part or completely, without prior written consent from D.T.S.

D.T.S. reserves the right to make any aesthetic, functional or design modifications to any of its products without prior notice. D.T.S. assumes no responsibility for the use or application of the products or circuits described herein.

MADE IN ITALY



The Lighting Company

ISO 9001:2000

D.T.S. quality system
is certified to the
ISO 9001:2000 standard



D.T.S. products are designed
and manufactured at the D.T.S.
plants in Italy



05171140