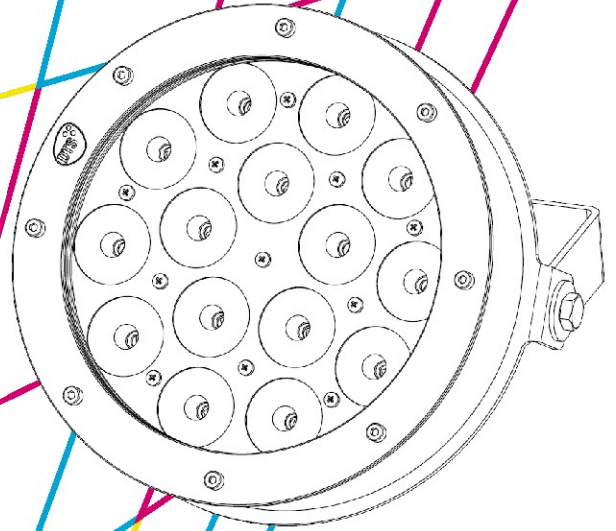
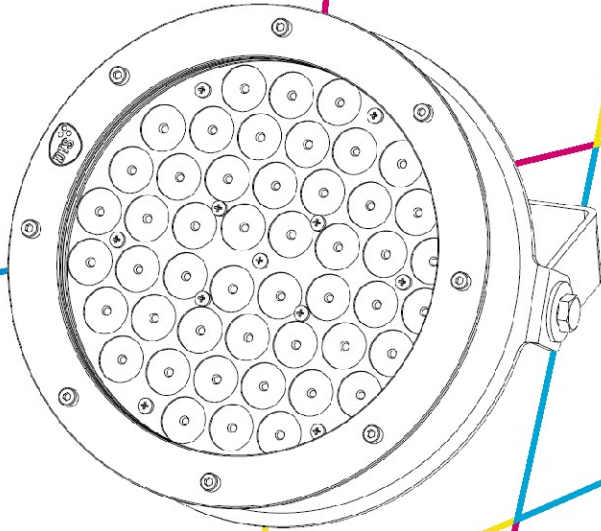


# HELIOS BRONZE

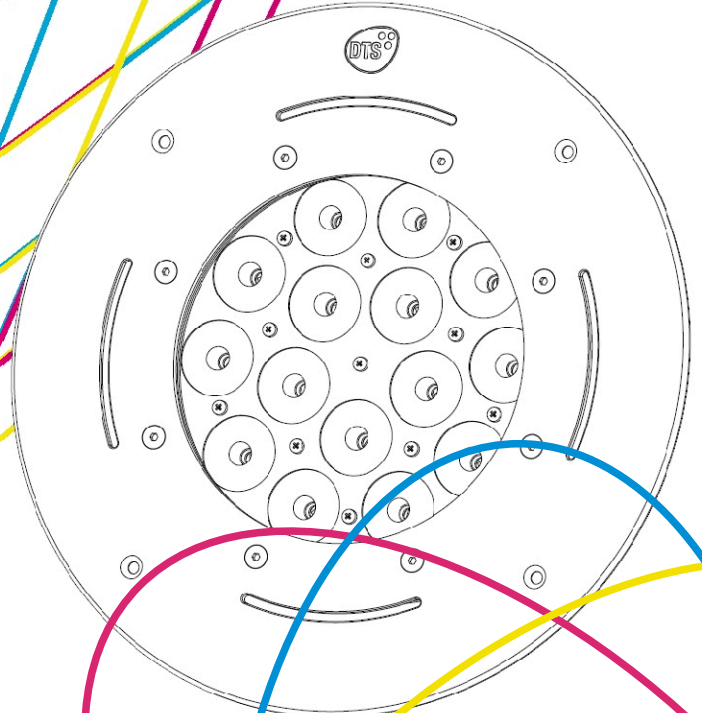
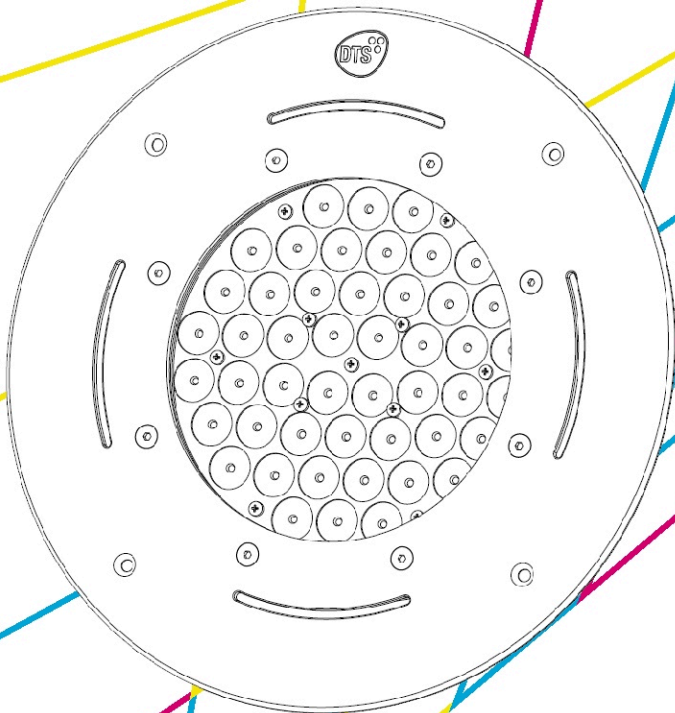
HELIOS BRONZE 48 LEDs RGBW  
HELIOS BRONZE 48 LEDs WHITE

HELIOS BRONZE FC  
HELIOS BRONZE CT



HELIOS R BRONZE 48 LEDs RGBW  
HELIOS R BRONZE 48 LEDs WHITE

HELIOS R BRONZE FC  
HELIOS R BRONZE CT



User's Manual rel 3.0 **GB**

D.T.S. Illuminazione s.r.l. - ITALY  
<http://www.dts-lighting.it>



The Lighting Company

Made in Italy

Le informazioni contenute in questo documento sono state attentamente redatte e controllate. Tuttavia non è assunta alcuna responsabilità per eventuali inesattezze. Tutti i diritti sono riservati e questo documento non può essere copiato, fotocopiato, riprodotto per intero o in parte senza previo consenso scritto della D.T.S .

D.T.S si riserva il diritto di apportare senza preavviso cambiamenti e modifiche estetiche , funzionali o di design a ciascun proprio prodotto. D.T.S non assume alcuna responsabilità sull'uso o sull'applicazione dei prodotti o dei circuiti descritti.

The information contained in this publication has been carefully prepared and checked. However, no responsibility will be taken for any errors. All rights are reserved and this document cannot be copied, photocopied or reproduced, in part or completely, without prior written consent from D.T.S. D.T.S. reserves the right to make any aesthetic, functional or design modifications to any of its products without prior notice. D.T.S. assumes no responsibility for the use or application of the products or circuits described herein.

Les informations contenues dans le présent manuel ont été rédigées et contrôlées avec le plus grand soin. Nous déclinons toutefois toute responsabilité en cas d'éventuelles inexactitudes. Tous droits réservés. Ce document ne peut être copié, photocopié ou reproduit, dans sa totalité ou partiellement, sans le consentement préalable de D.T.S.

D.T.S. se réserve le droit d'apporter toutes modifications et améliorations esthétiques, fonctionnelles ou de design, sans préavis, à chacun de ses produits. D.T.S. décline toute responsabilité sur l'utilisation ou sur l'application des produits ou des circuits décrits.

Las informaciones contenidas en este documento han sido cuidadosamente redactadas y controladas. Con todo, no se asume ninguna responsabilidad por eventuales inexactitudes. Todos los derechos han sido reservados y este documento no puede ser copiado, fotocopiado o reproducido, total o parcialmente, sin previa autorización escrita de D.T.S.

D.T.S. se reserva el derecho a aportar sin previo aviso cambios y modificaciones de carácter estético, funcional o de diseño a cada producto suyo. D.T.S. no se asume responsabilidad de ningún tipo sobre la utilización o sobre la aplicación de los productos o de los circuitos descritos.

## HELIOS BRONZE FC / HELIOS R BRONZE FC

### D.T.S. Product Codes:

03.LIB002E99FC10 HELIOS BRONZE FC \*Narrow lenses  
 03.LIB002E99FC25 HELIOS BRONZE FC \*Medium flood lenses  
 03.LIB002E99FC40 HELIOS BRONZE FC \*Wide flood lenses

03.LIS002E99FC10 HELIOS R BRONZE FC \*Narrow lenses  
 03.LIS002E99FC25 HELIOS R BRONZE FC \*Medium flood lenses  
 03.LIS002E99FC40 HELIOS R BRONZE FC \*Wide flood lenses

### LED Technology

15 x FULL RGBW LEDs; 4600 Lumens  
 LEDs average lifespan: 50.000 hours (70% lumen output)

### Optical group

3 lenses sets available (Narrow, Medium flood, Wide flood)

### Control

Via any DMX lighting console (Z1 PLUS or Z8 power supply needed)

### Protection

IP68 protection level against the penetration of solids and liquids

### Construction

HELIOS BRONZE FC and HELIOS R BRONZE FC are made on bronze and stainless steel.  
 HELIOS BRONZE FC is fitted with a mounting bracket, for installation on walls, trusses, etc.  
 HELIOS R BRONZE FC features a reinforced structure with a round flange, for recessed installation.

### Power supply

External dedicated Z1 PLUS or Z8 power supply / LED controller  
 Electronic full-range: AC 90-260V , 50/60 Hz  
 Power consumption: 100W Max

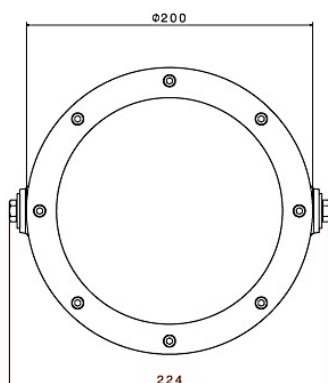
### Connection

8 poles cable (1 m length)

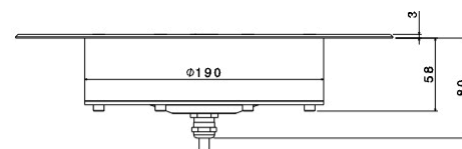
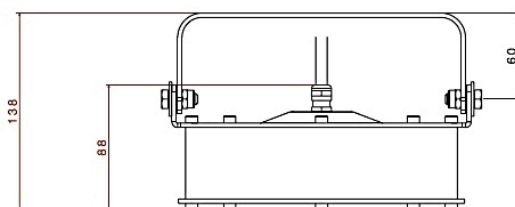
### Weight

HELIOS BRONZE FC: 5,5 Kg  
 HELIOS R BRONZE FC: 6,5 Kg

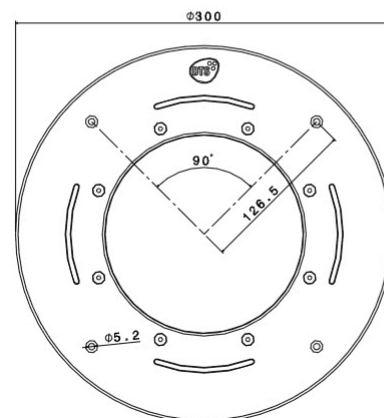
### Dimensions



**HELIOS BRONZE FC**



**HELIOS R BRONZE FC**



## HELIOS BRONZE CT / HELIOS R BRONZE CT

### D.T.S. Product Codes:

03.LIB002E99FB10 HELIOS BRONZE CT \*Narrow lenses  
 03.LIB002E99FB25 HELIOS BRONZE CT \*Medium flood lenses  
 03.LIB002E99FB40 HELIOS BRONZE CT \*Wide flood lenses

03.LIS002E99FB10 HELIOS R BRONZE CT \*Narrow lenses  
 03.LIS002E99FB25 HELIOS R BRONZE CT \*Medium flood lenses  
 03.LIS002E99FB40 HELIOS R BRONZE CT \*Wide flood lenses

### LED Technology

15 x FULL WHITE LEDs; 6620 Lumens  
 LEDs average lifespan: 50.000 hours (70% lumen output)

### Optical group

3 lenses sets available (Narrow, Medium flood, Wide flood)

### Control

Via any DMX lighting console (Z1 PLUS or Z8 power supply needed)

### Protection

IP68 protection level against the penetration of solids and liquids

### Construction

HELIOS BRONZE CT and HELIOS R BRONZE CT are made on bronze and stainless steel.  
 HELIOS BRONZE CT is fitted with a mounting bracket, for installation on walls, trusses, etc.  
 HELIOS R BRONZE CT features a reinforced structure with a round flange, for recessed installation.

### Power supply

External dedicated Z1 PLUS or Z8 power supply / LED controller  
 Electronic full-range: AC 90-260V , 50/60 Hz  
 Power consumption: 100W Max

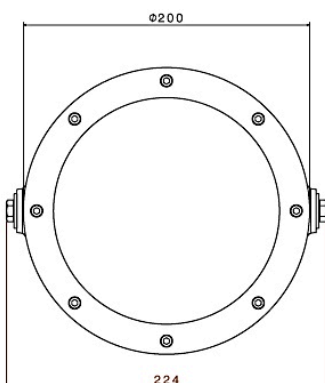
### Connection

8 poles cable (1 m length)

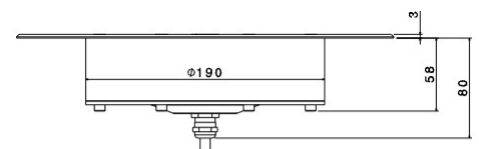
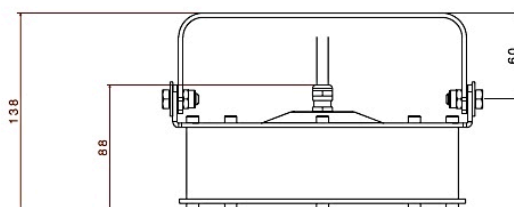
### Weight

HELIOS BRONZE CT: 5,5 Kg  
 HELIOS R BRONZE CT: 6,5 Kg

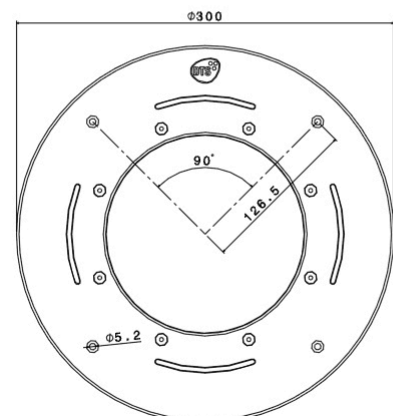
### Dimensions



**HELIOS BRONZE CT**



**HELIOS R BRONZE CT**



## HELIOS BRONZE 48 LEDs RGBW / HELIOS R BRONZE 48 LEDs RGBW

### D.T.S. Product Codes:

03.LIB004E99TC10	HELIOS BRONZE 48 LEDs RGBW *Narrow lenses
03.LIB004E99TC25	HELIOS BRONZE 48 LEDs RGBW *Medium flood lenses
03.LIB004E99TC40	HELIOS BRONZE 48 LEDs RGBW *Wide flood lenses
03.LIS004E99TC10	HELIOS R BRONZE 48 LEDs RGBW *Narrow lenses
03.LIS004E99TC25	HELIOS R BRONZE 48 LEDs RGBW *Medium flood lenses
03.LIS004E99TC40	HELIOS R BRONZE 48 LEDs RGBW *Wide flood lenses

### LED Technology

48 x RGBW LEDs (12 x Red, 12 x Green; 12 x Blue, 12 x White); 5200 Lumens  
LEDs average lifespan: 50.000 hours (70% lumen output)

### Optical group

3 lenses sets available (Narrow, Medium flood, Wide flood)

### Control

Via any DMX lighting console (Z1 PLUS or Z8 power supply needed)

### Protection

IP68 protection level against the penetration of solids and liquids

### Construction

HELIOS BRONZE RGBW and HELIOS R BRONZE RGBW are made on bronze and stainless steel. HELIOS BRONZE RGBW is fitted with a mounting bracket, for installation on walls, trusses, etc. HELIOS R BRONZE RGBW features a reinforced structure with a round flange, for recessed installation.

### Power supply

External dedicated Z1 PLUS or Z8 power supply / LED controller  
Electronic full-range: AC 90-260V , 50/60 Hz  
Power consumption: 100W Max

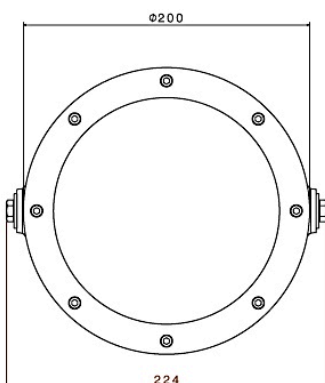
### Connection

8 poles cable (1 m length)

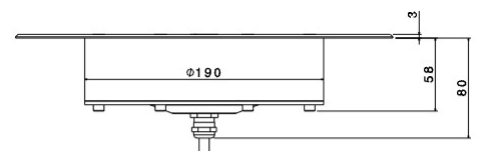
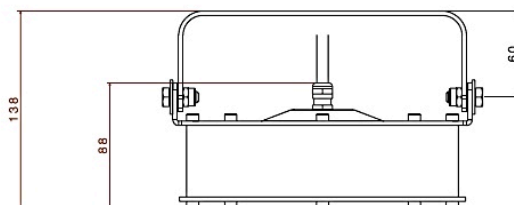
### Weight

HELIOS BRONZE RGBW: 5,5 Kg  
HELIOS R BRONZE RGBW: 6,5 Kg

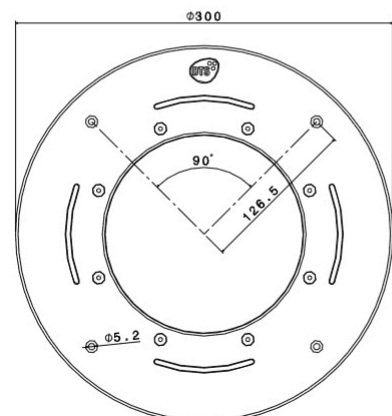
### Dimensions



**HELIOS BRONZE RGBW**



**HELIOS R BRONZE RGBW**



## HELIOS BRONZE 48 LEDs WHITE / HELIOS R BRONZE 48 LEDs WHITE

### D.T.S. Product Codes:

03.LIB004E99WB10 HELIOS BRONZE 48 LEDs WHITE 3000°K \*Narrow lenses  
 03.LIB004E99WB25 HELIOS BRONZE 48 LEDs WHITE 3000°K \*Medium flood lenses  
 03.LIB004E99WB40 HELIOS BRONZE 48 LEDs WHITE 3000°K \*Wide flood lenses

03.LIS004E99WB10 HELIOS R BRONZE 48 LEDs WHITE 3000°K \*Narrow lenses  
 03.LIS004E99WB25 HELIOS R BRONZE 48 LEDs WHITE 3000°K \*Medium flood lenses  
 03.LIS004E99WB40 HELIOS R BRONZE 48 LEDs WHITE 3000°K \*Wide flood lenses

### LED Technology

48 x WHITE (3000°K, 4000°K or 5600°K) LEDs; 9120 Lumens  
 LEDs average lifespan: 50.000 hours (70% lumen output)

### Optical group

3 lenses sets available (Narrow, Medium flood, Wide flood)

### Control

Via any DMX lighting console (Z1 PLUS or Z8 power supply needed)

### Protection

IP68 protection level against the penetration of solids and liquids

### Construction

HELIOS BRONZE WHITE and HELIOS R BRONZE WHITE are made on bronze and stainless steel. HELIOS BRONZE WHITE is fitted with a mounting bracket, for installation on walls, trusses, etc. HELIOS R BRONZE WHITE features a reinforced structure with a round flange, for recessed installation.

### Power supply

External dedicated Z1 PLUS or Z8 power supply / LED controller  
 Electronic full-range: AC 90-260V , 50/60 Hz  
 Power consumption: 100W Max

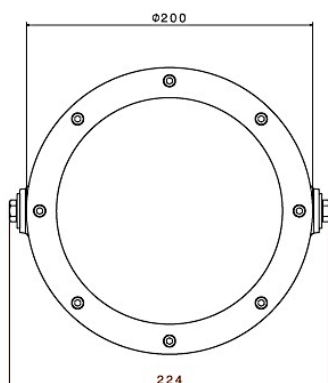
### Connection

8 poles cable (1 m length)

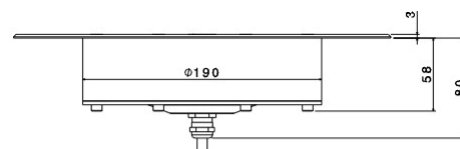
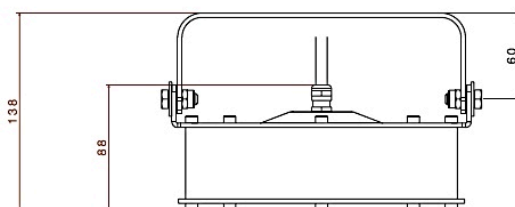
### Weight

HELIOS BRONZE WHITE: 5,5 Kg  
 HELIOS R BRONZE WHITE: 6,5 Kg

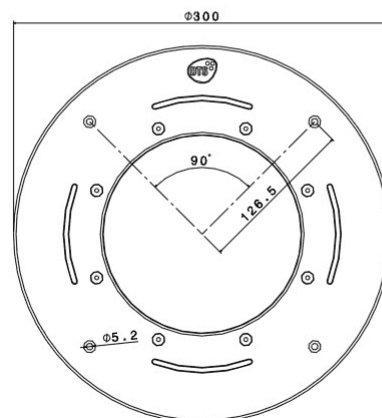
### Dimensions



HELIOS BRONZE WHITE



HELIOS R BRONZE WHITE



## ACCESSORIES

- Z8 Power supply / LED Controller \*M12 Output (Code 03.LA.075.V2)
- Z8 Power supply / LED Controller \*Screw terminals Output (Code 03.LA.080.V2)
- Z1 PLUS IP20 Power supply / LED Controller (Code 03.LA.009P)
- Z1 PLUS IP65 Power supply / LED Controller (Code 03.LA.009P.IP65)

## IMPORTANT SAFETY INFORMATION

### Fire prevention:

It is permissible to place the unit on normally flammable surfaces.

Suitable for mounting on normally flammable materials surfaces greater than 200°C with some combustion time lag.

### Safety:

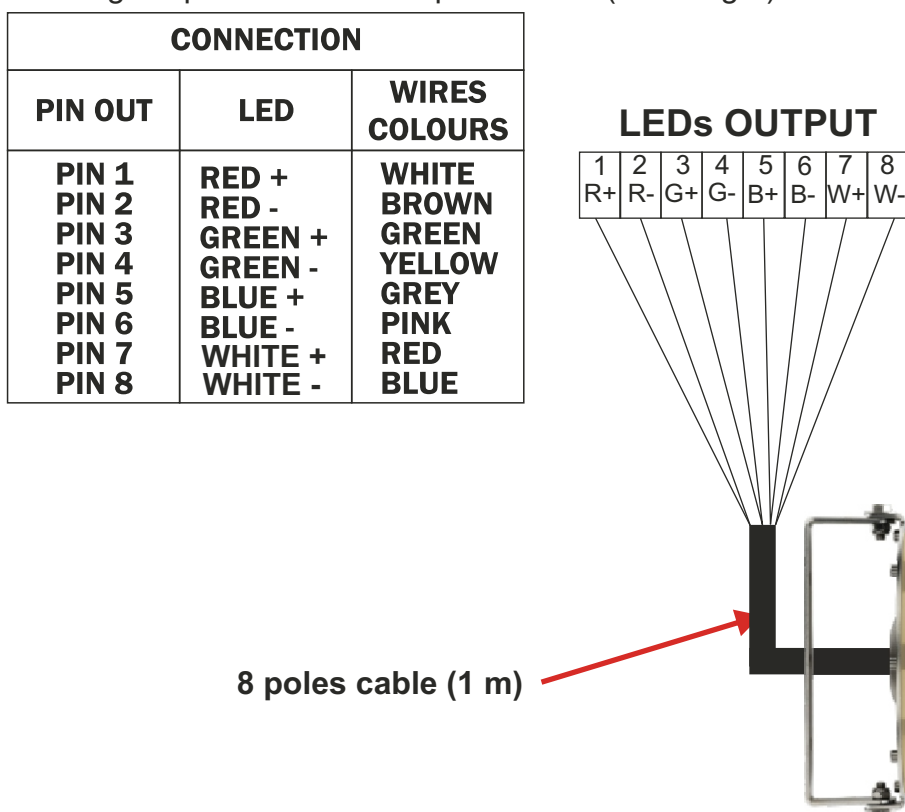
The external surface of the unit may exceed 50°C, never handle the unit until at least 5 minutes have elapsed since the unit was turned off.

Never install the unit in an enclosed area lacking sufficient air flow.

The ambient temperature should not exceed 40°C and should not be lower than -10°C.

## WIRING DIAGRAMS

HELIOS BRONZE range is provided with a 8 poles cable (1 m length).

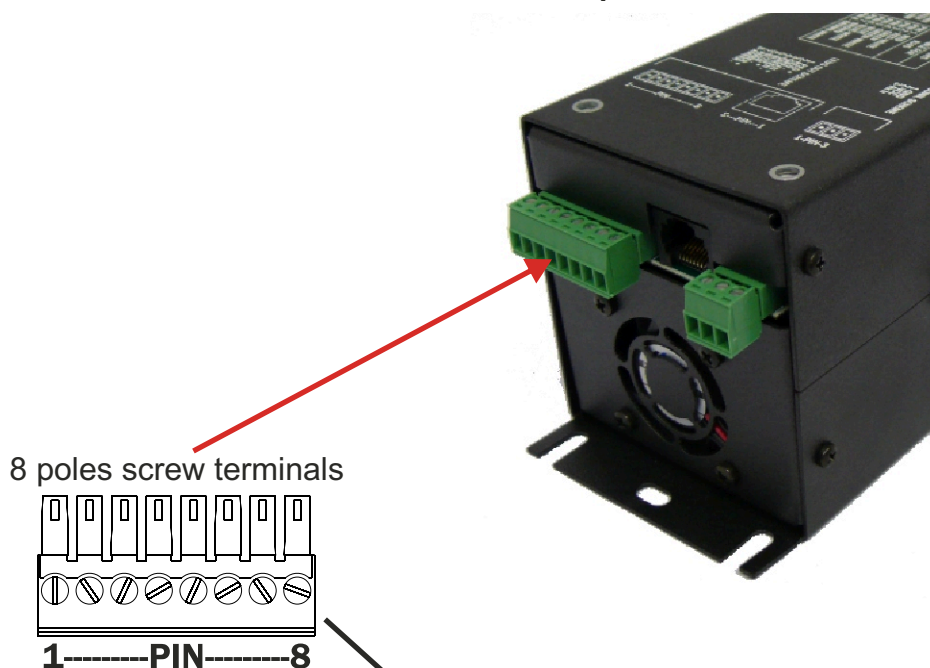


For IP68 rating application, D.T.S. recommend the use of an extension 8 poles underwater cable (Code 0509C113).

**The maximum distance between the Z1 PLUS power supply and the HELIOS BRONZE unit (all models) should not exceed 100 meters.**

**The maximum distance between the Z8 power supply and the HELIOS BRONZE FC / CT unit should not exceed 50 meters.**

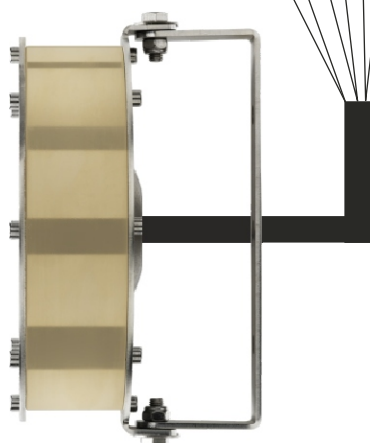
**The maximum distance between the Z8 power supply and the HELIOS BRONZE RGBW / WHITE unit should not exceed 100 meters.**

**WIRING CONNECTIONS****Z1 PLUS IP 20 LED Controller  
(Code 03.LA.009P)****LEDs OUTPUT**

1	2	3	4	5	6	7	8
R+	R-	G+	G-	B+	B-	W+	W-

CONNECTION		
PIN OUT	LED	WIRES COLOURS
<b>PIN 1</b>	<b>RED +</b>	<b>WHITE</b>
<b>PIN 2</b>	<b>RED -</b>	<b>BROWN</b>
<b>PIN 3</b>	<b>GREEN +</b>	<b>GREEN</b>
<b>PIN 4</b>	<b>GREEN -</b>	<b>YELLOW</b>
<b>PIN 5</b>	<b>BLUE +</b>	<b>GREY</b>
<b>PIN 6</b>	<b>BLUE -</b>	<b>PINK</b>
<b>PIN 7</b>	<b>WHITE +</b>	<b>RED</b>
<b>PIN 8</b>	<b>WHITE -</b>	<b>BLUE</b>

HELIOS BRONZE FC

**IMPORTANT:**

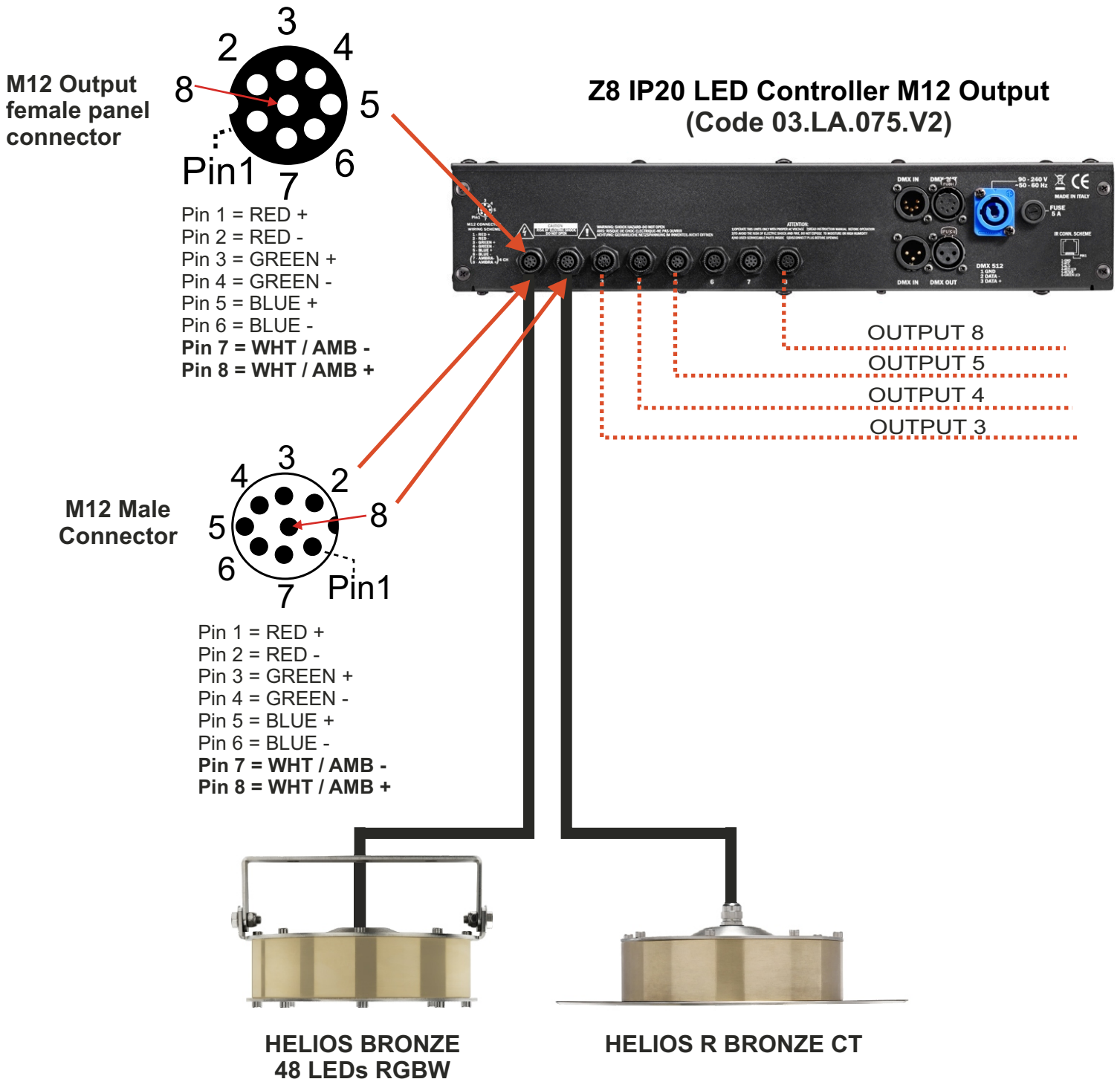
The maximum number of HELIOS BRONZE unit connectable to the Z1 PLUS LED controller is 1 pc.

Never plug in a HELIOS BRONZE unit when the power supply is turned on.

The maximum distance between the Z1 PLUS power supply and the HELIOS BRONZE unit (all models) should not exceed 100 meters.



## WIRING CONNECTIONS



## IMPORTANT:

HELIOS BRONZE units with M12 male cable connector on board are available on request.

The maximum number of HELIOS BRONZE unit connectable to each Z8 LEDs output is 1 pc.

Never plug in a HELIOS BRONZE unit when the power supply is turned on.

The maximum distance between the Z8 power supply and the HELIOS BRONZE FC / CT unit should not exceed 50 meters.

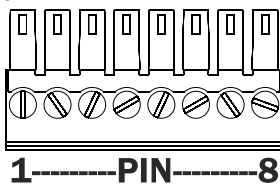
The maximum distance between the Z8 power supply and the HELIOS BRONZE RGBW / WHITE unit should not exceed 100 meters.

## WIRING CONNECTIONS

### Z8 IP20 LED Controller Screw terminals Output (Code 03.LA.080.V2)



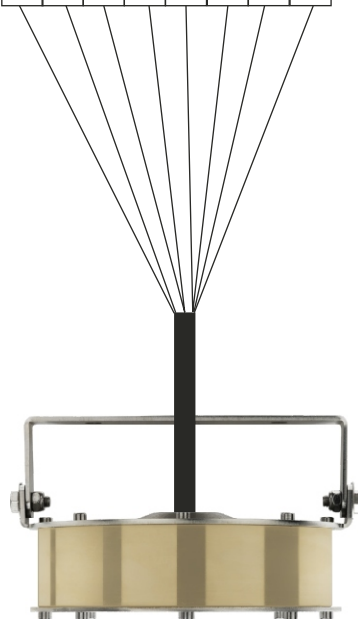
8 poles screw terminals



CONNECTION		
PIN OUT	LED	WIRES COLOURS
PIN 1	RED +	WHITE
PIN 2	RED -	BROWN
PIN 3	GREEN +	GREEN
PIN 4	GREEN -	YELLOW
PIN 5	BLUE +	GREY
PIN 6	BLUE -	PINK
PIN 7	WHITE +	RED
PIN 8	WHITE -	BLUE

#### LEDs OUTPUT 1

1	2	3	4	5	6	7	8
R+	R-	G+	G-	B+	B-	W+	W-



HELIOS BRONZE  
48 LEDs WHITE

#### LEDs OUTPUT 2

1	2	3	4	5	6	7	8
R+	R-	G+	G-	B+	B-	W+	W-



HELIOS R BRONZE FC

## IMPORTANT:

The maximum number of HELIOS BRONZE unit connectable to each Z8 LEDs output is 1 pc.

Never plug in a HELIOS BRONZE unit when the power supply is turned on.

The maximum distance between the Z8 power supply and the HELIOS BRONZE FC / CT unit should not exceed 50 meters.

The maximum distance between the Z8 power supply and the HELIOS BRONZE RGBW / WHITE unit should not exceed 100 meters.

**NOTES**

The information contained in this publication has been carefully prepared and checked. However, no responsibility will be taken for any errors. All rights are reserved and this document cannot be copied, photocopied or reproduced, in part or completely, without prior written consent from D.T.S.

D.T.S. reserves the right to make any aesthetic, functional or design modifications to any of its products without prior notice. D.T.S. assumes no responsibility for the use or application of the products or circuits described herein.

**MADE IN ITALY**



**The Lighting Company**

**ISO 9001:2008**

D.T.S. quality system  
is certified to the  
ISO 9001:2008 standard



D.T.S. products are designed  
and manufactured at the D.T.S.  
plants in Italy



05171120